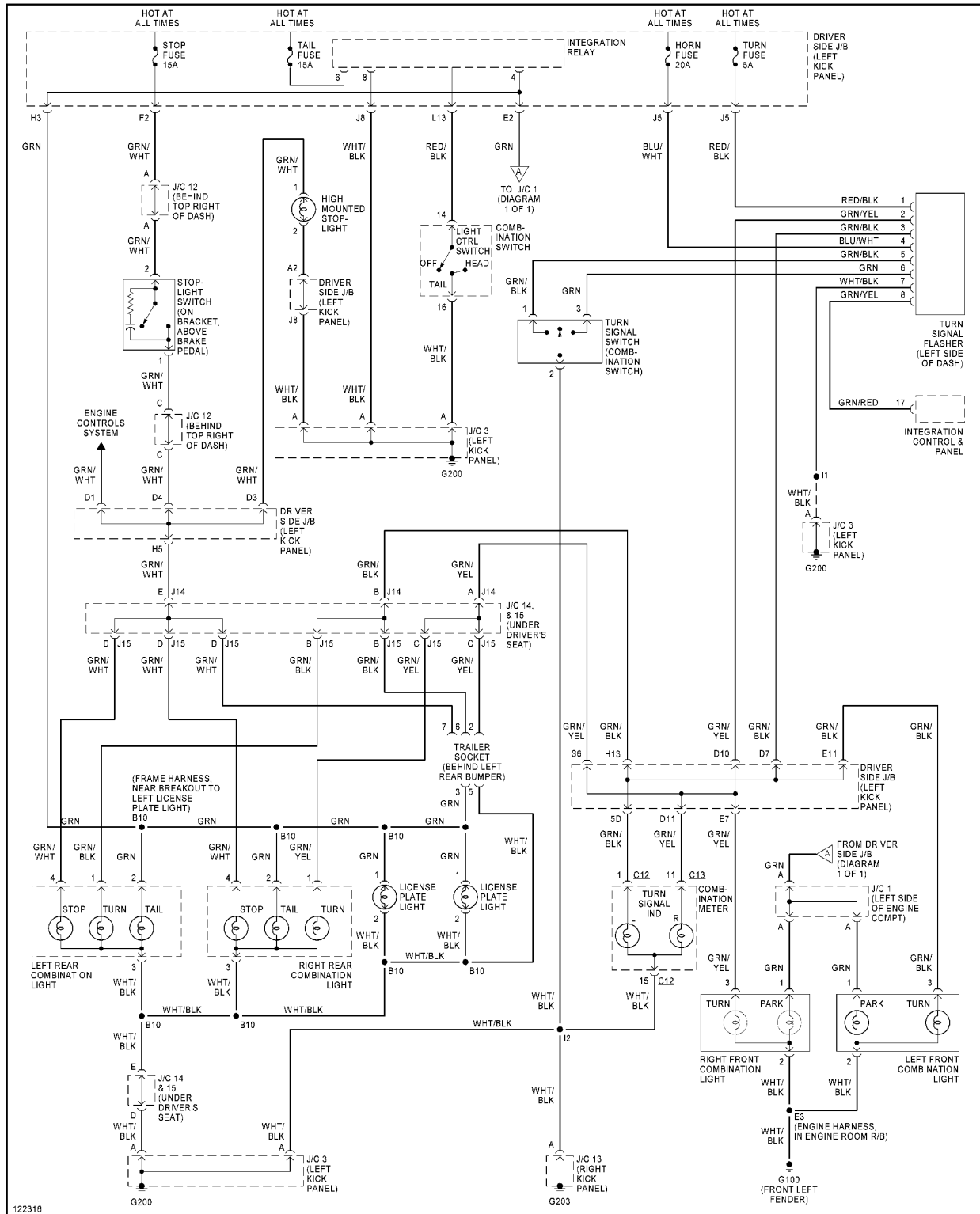


Printer-Ready Version (Use Browser Print Button) - [Click Here](#) for Full-Size Version

Fig. 18: Exterior Lamps Circuit



122318

Copyright 2014 Mitchell Repair Information Company, LLC. All Rights Reserved.