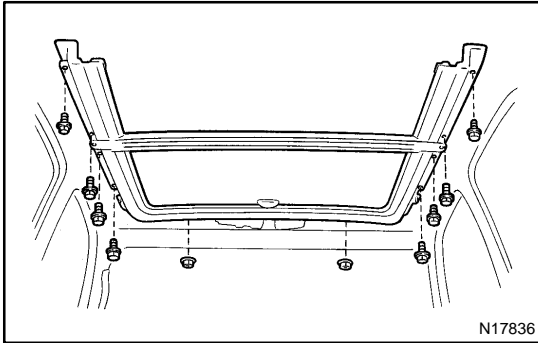


REMOVAL

1. REMOVE ROOF HEADLINING
(See page [BO-78](#))



2. REMOVE SLIDING ROOF HOUSING ASSEMBLY
 - (a) Disconnect the 4 drain hoses and connectors.
 - (b) Remove the 2 nuts, 8 bolts and sliding roof housing assembly.

Torque: 7.4 N·m (75 kgf·cm, 65 in.-lbf)