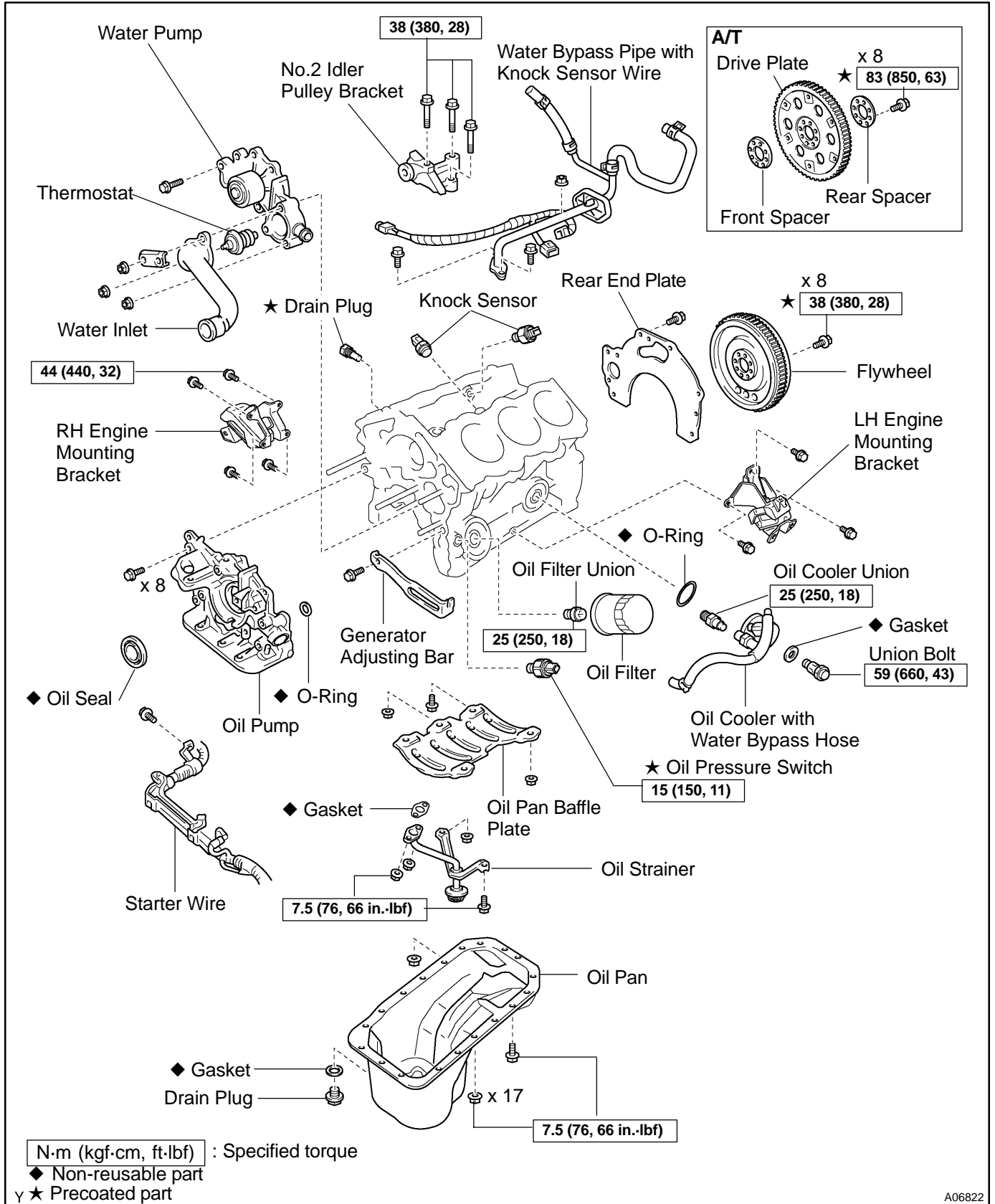
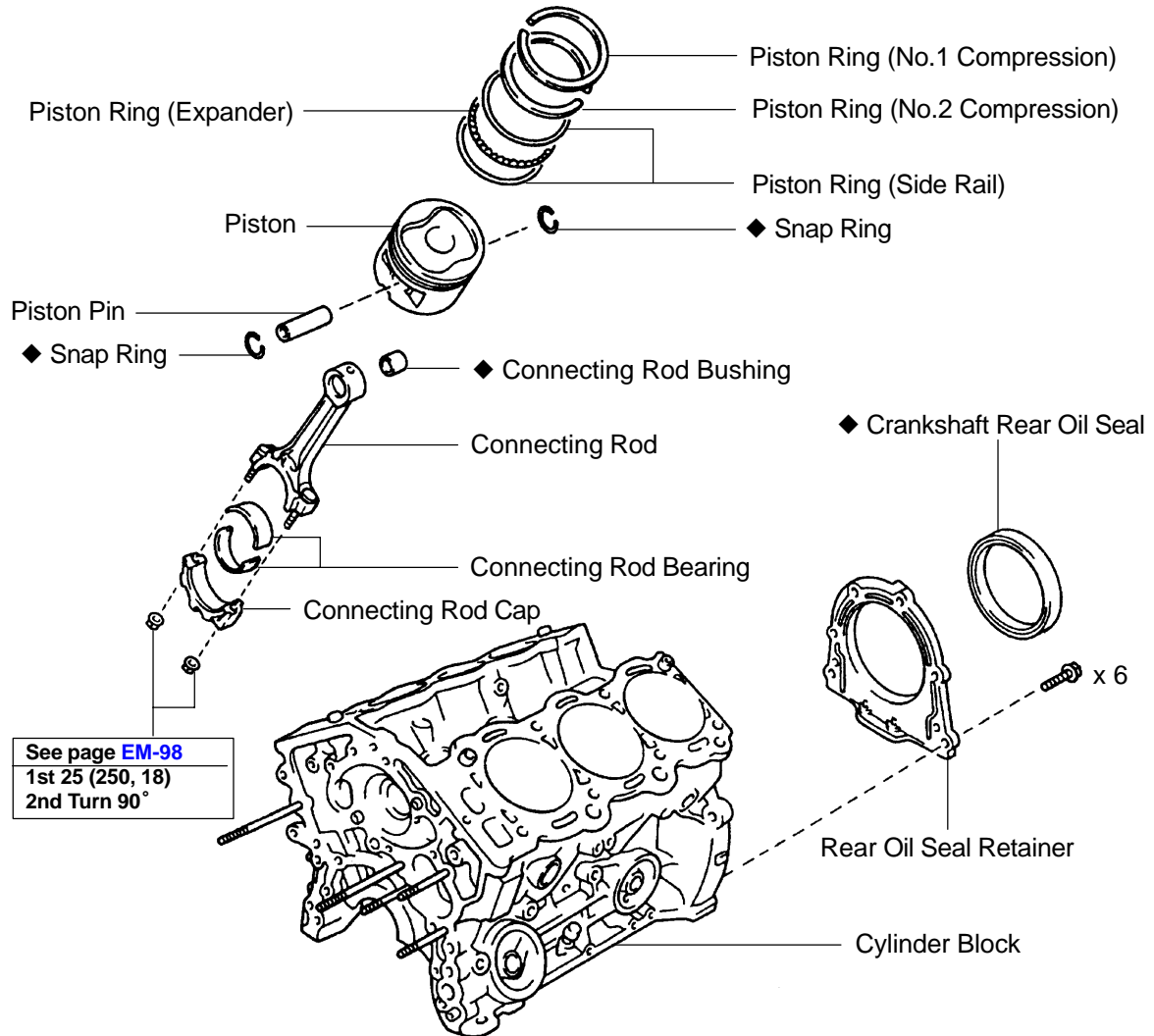


# CYLINDER BLOCK COMPONENTS

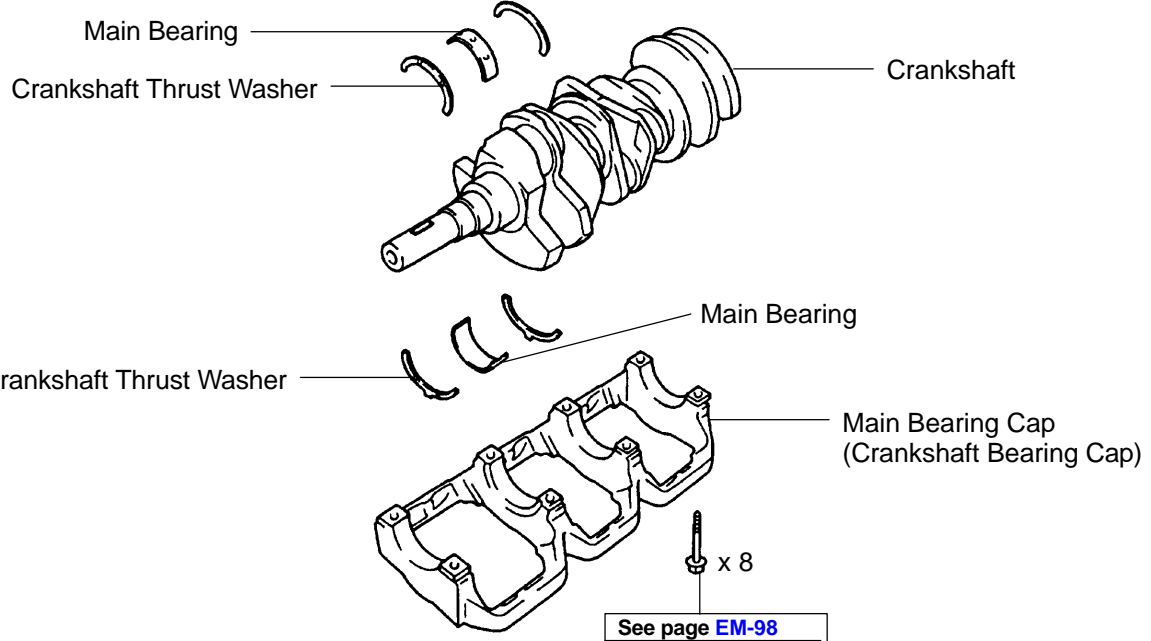
EM01X-06



A06822



See page EM-98  
1st 25 (250, 18)  
2nd Turn 90°



See page EM-98  
1st 61 (625, 45)  
2nd Turn 90°

P21786

N·m (kgf·cm, ft·lbf) : Specified torque  
◆ Non-reusable part

Z17629