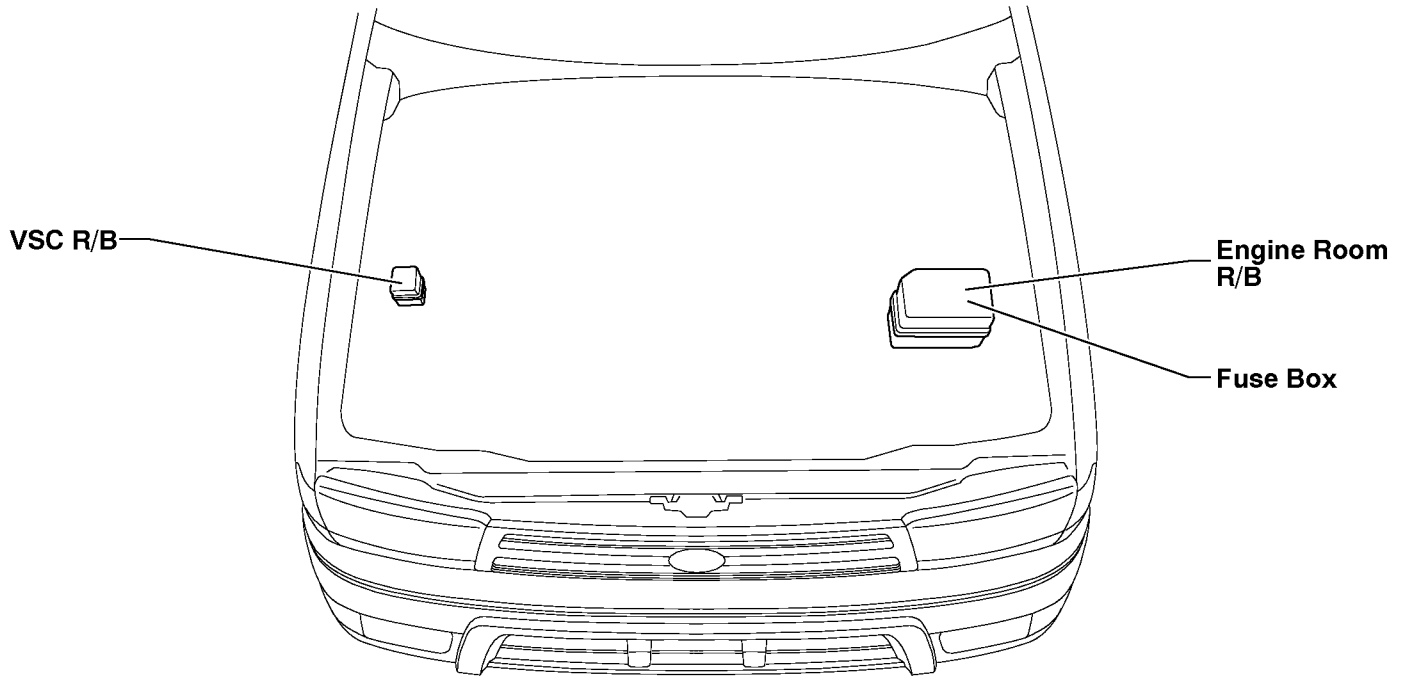
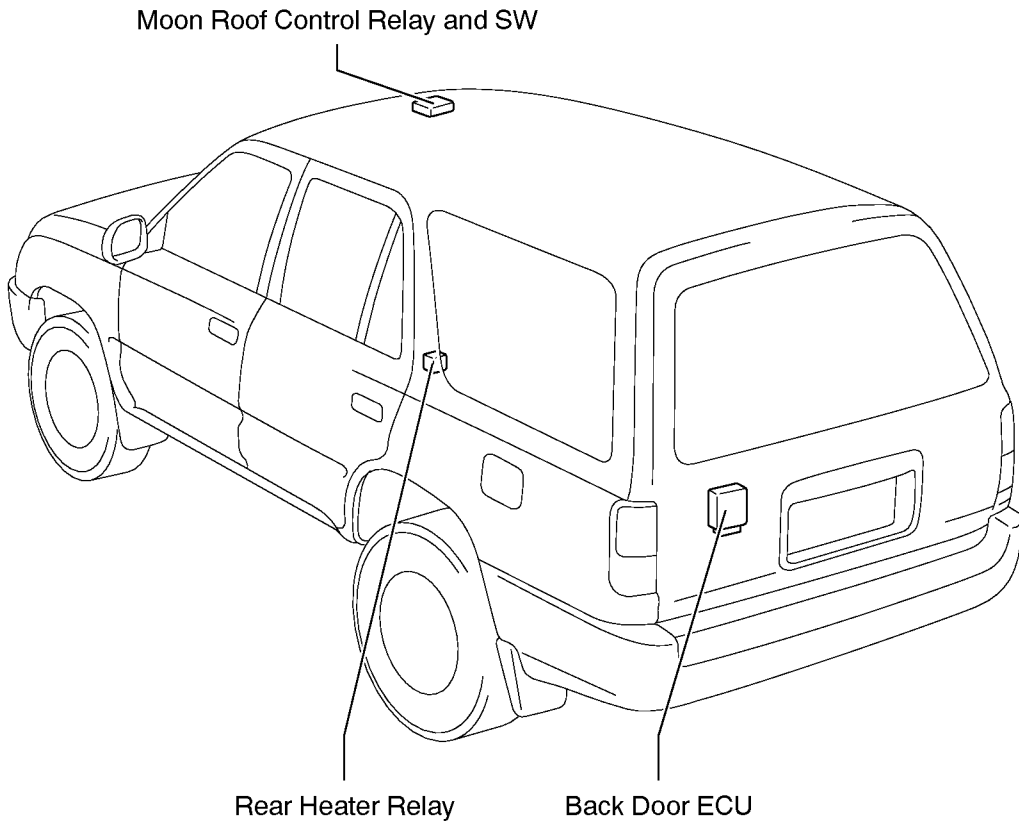


F RELAY LOCATIONS

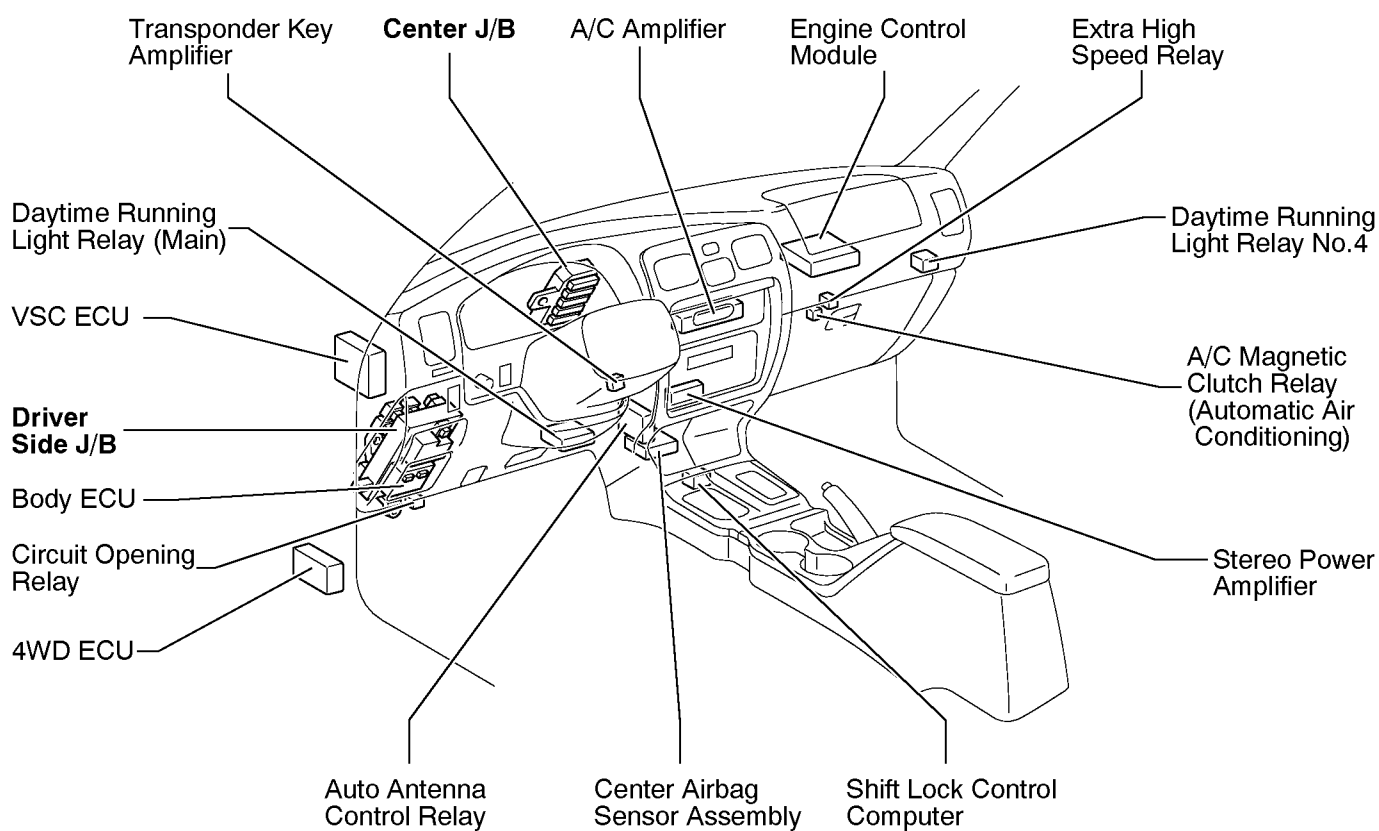
[Engine Compartment]



[Body]



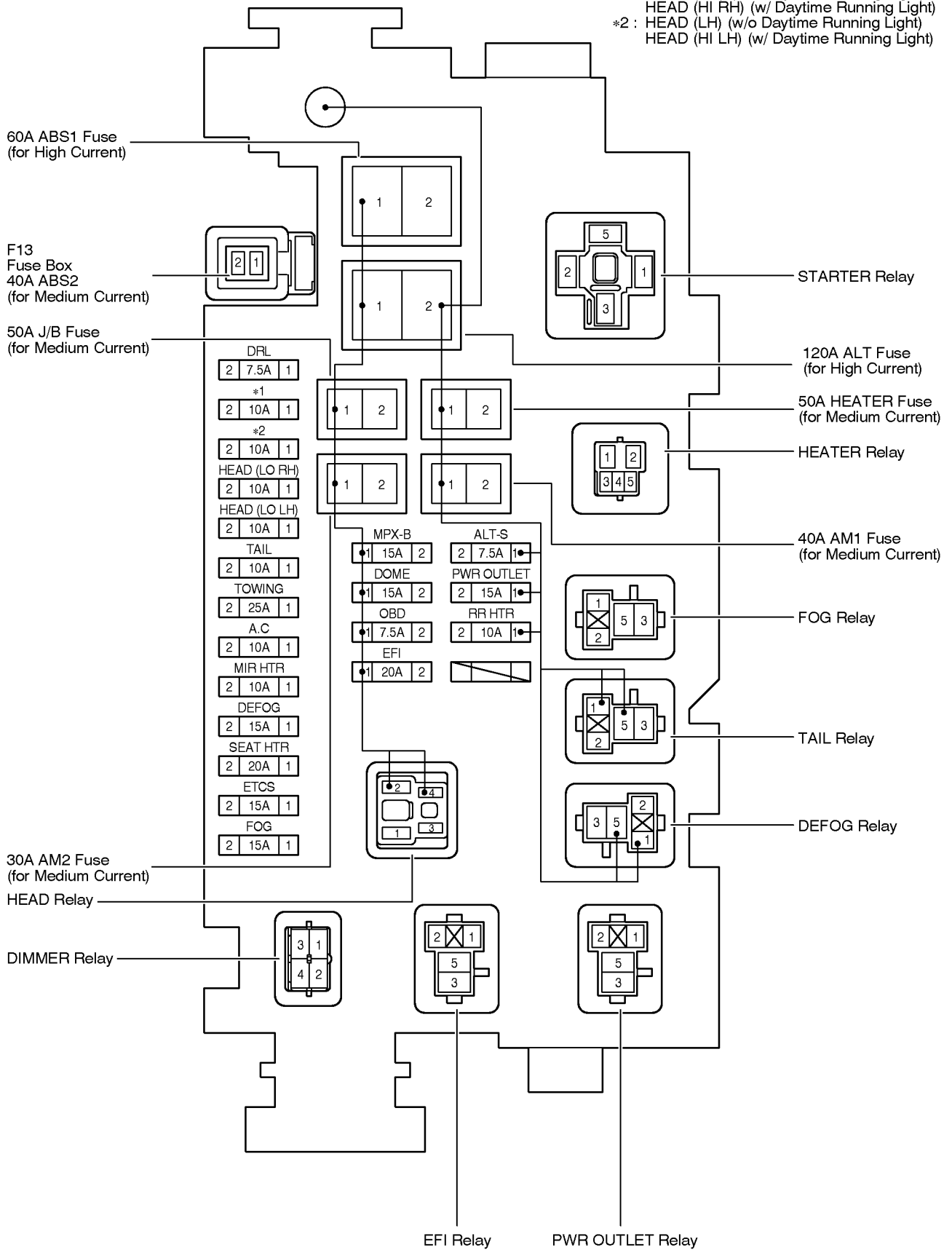
[Instrument Panel]



F RELAY LOCATIONS

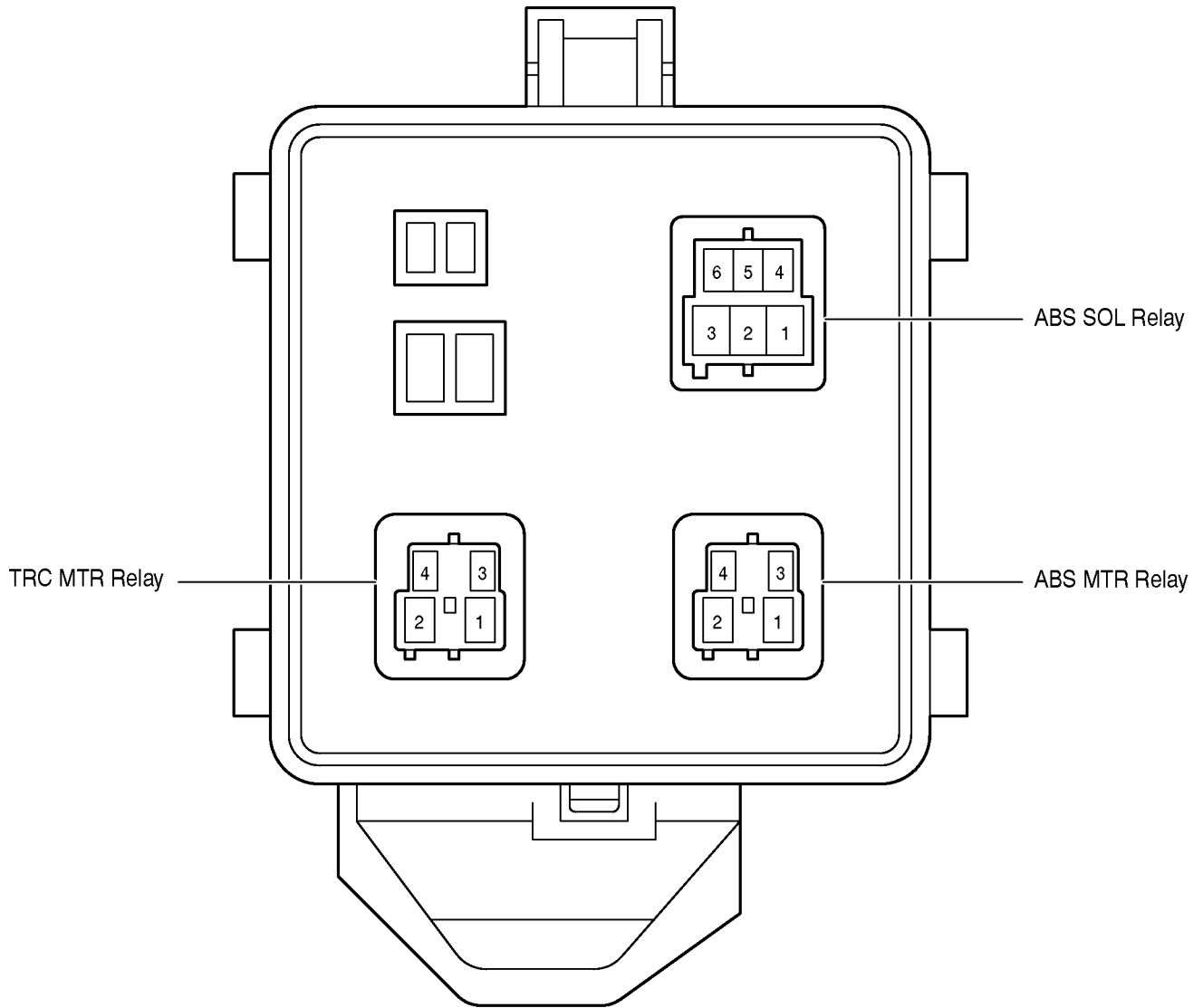
② : Engine Room R/B **Engine Compartment Left (See Page 20)**

*1 : HEAD (RH) (w/o Daytime Running Light)
 HEAD (HI RH) (w/ Daytime Running Light)
 *2 : HEAD (LH) (w/o Daytime Running Light)
 HEAD (HI LH) (w/ Daytime Running Light)



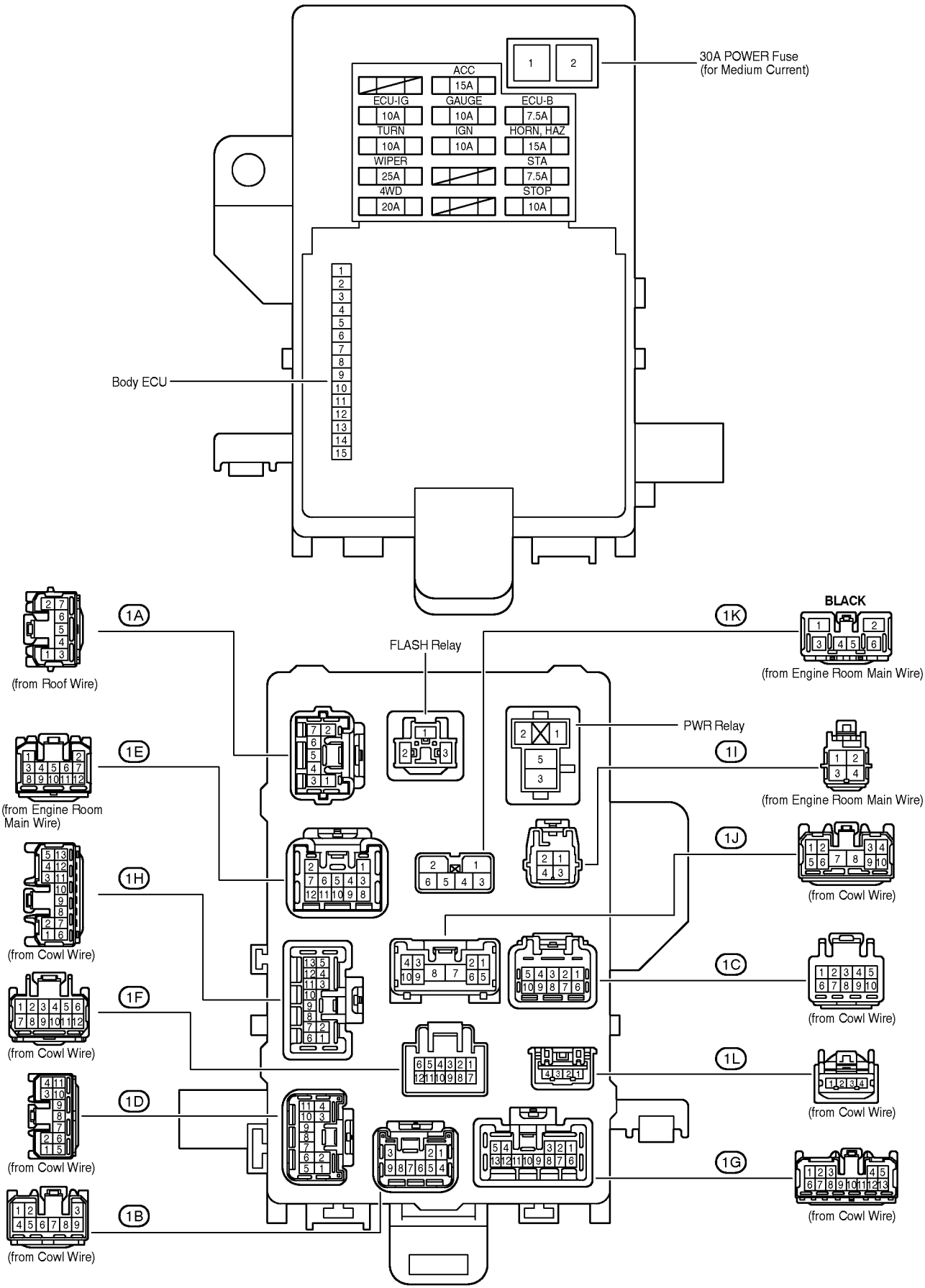
⑤ : VSC R/B

Engine Compartment Right (See Page 20)

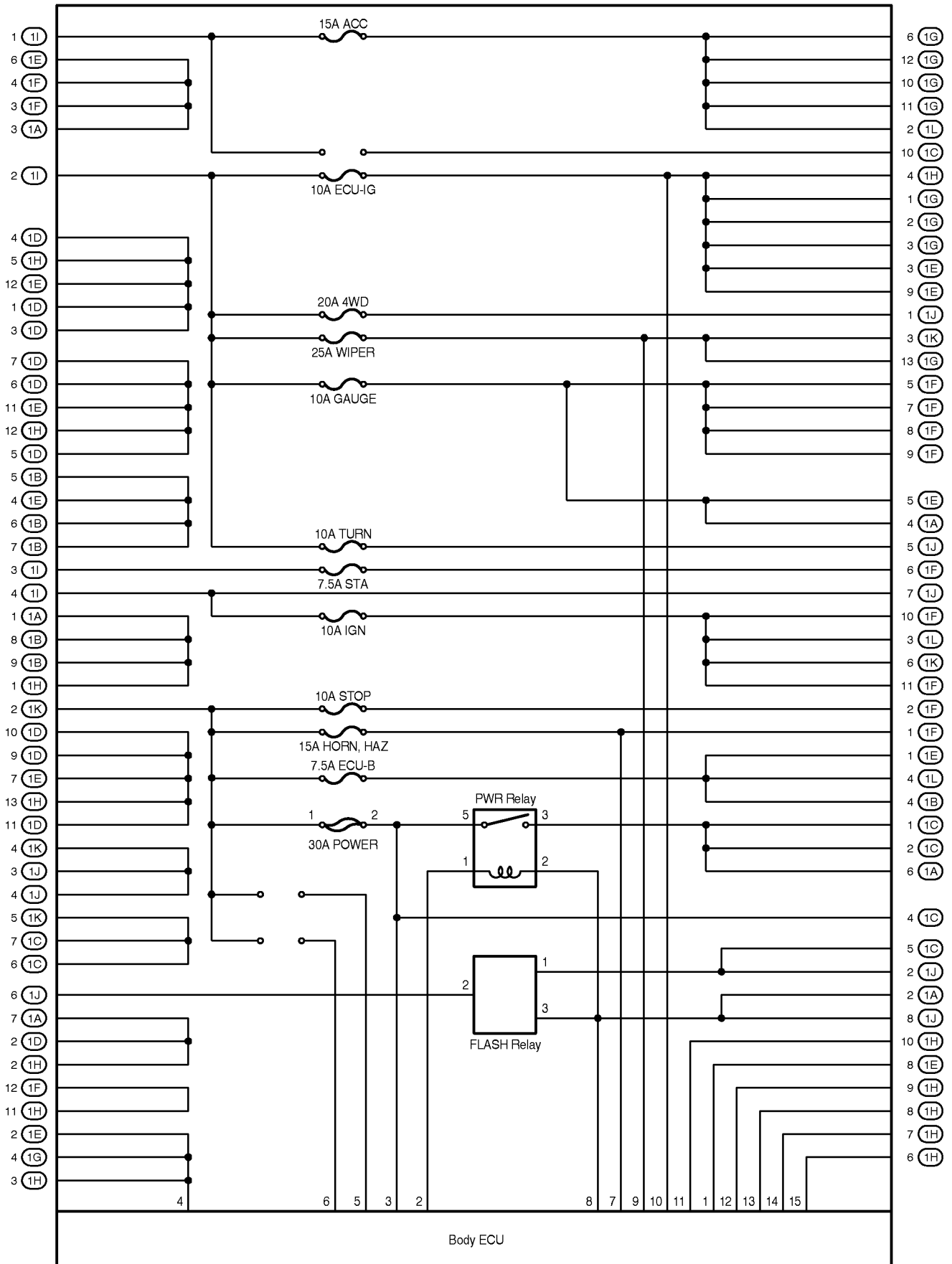


F RELAY LOCATIONS

○ : Driver Side J/B Lower Finish Panel (See Page 21)

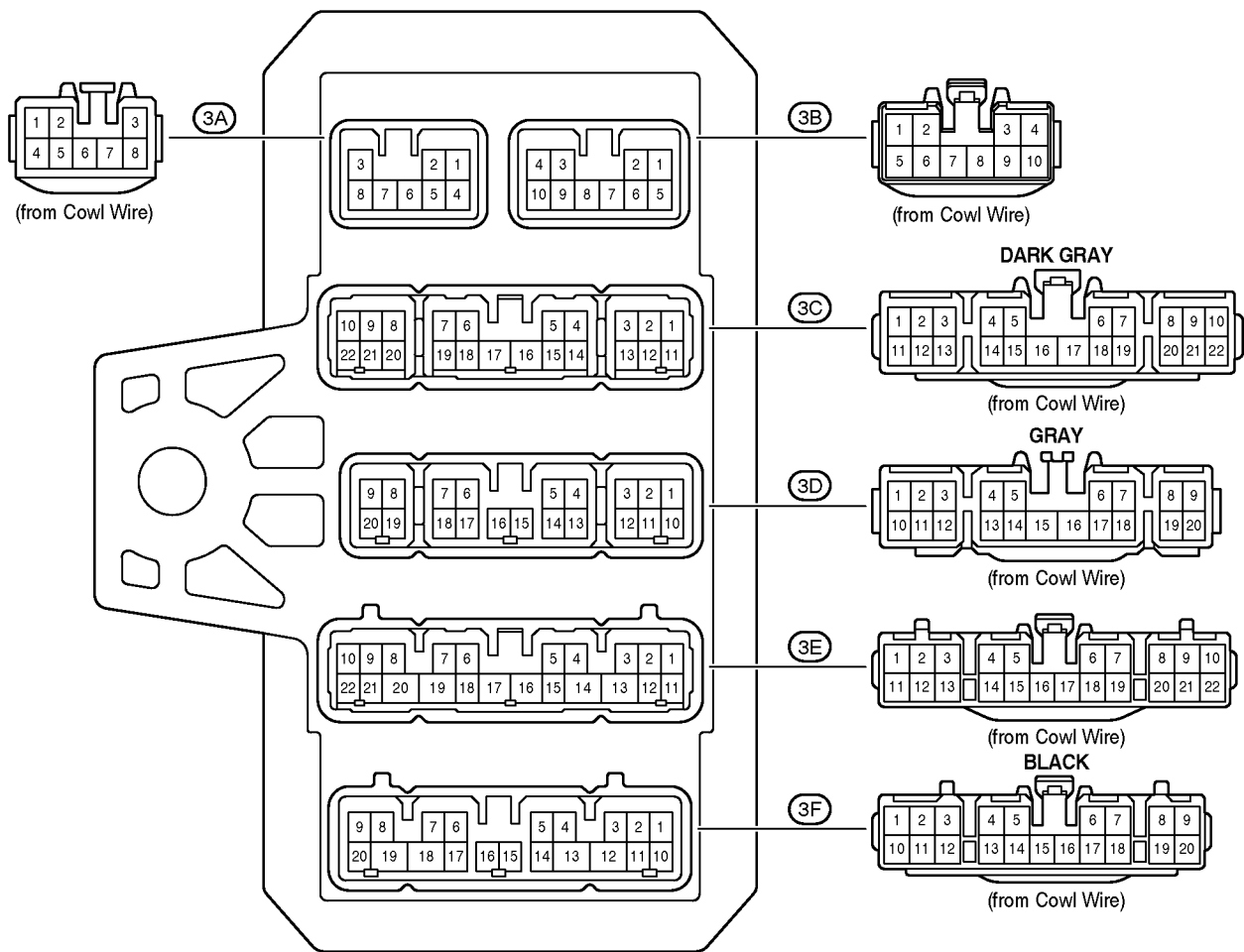


[Driver Side J/B Inner Circuit]



F RELAY LOCATIONS

○ : Center J/B Near the Steering Column Tube (See Page 21)



[Center J/B Inner Circuit]

