

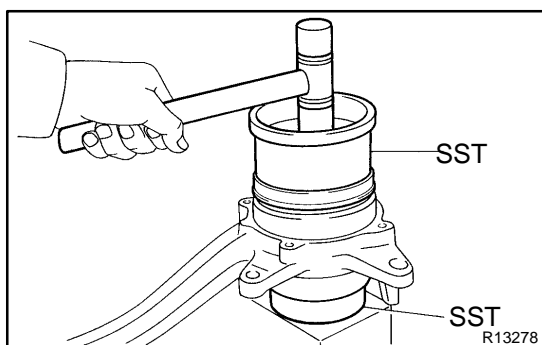
REASSEMBLY

1. INSTALL NEW BEARING

- (a) Using SST and a press, install a new bearing to the steering knuckle.

SST 09527-1701 1, 09950-60020 (09951-00910)

- (b) Using snap ring pliers, install a new snap ring.



2. INSTALL NEW OIL SEAL (OUTSIDE)

- (a) Using SST and a plastic hammer, install a new oil seal (outside).

SST 09223-15030, 09527-17011

- (b) Coat MP grease to the oil seal lip.

3. INSTALL AXLE HUB TO STEERING KNUCKLE

- (a) Install the brake dust cover to the steering knuckle with the 4 bolts.

Torque: 18 N·m (185 kgf·cm, 13 ft·lbf)

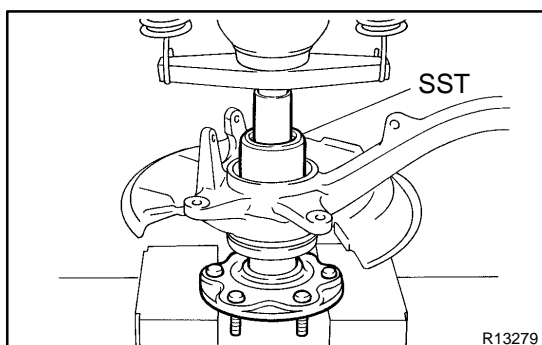
- (b) Using SST and a press, install the axle hub to the steering knuckle.

SST 09649-17010

4. INSTALL ABS SPEED SENSOR ROTOR/SPACER

NOTICE:

Do not scratch the serration of the speed sensor rotor.



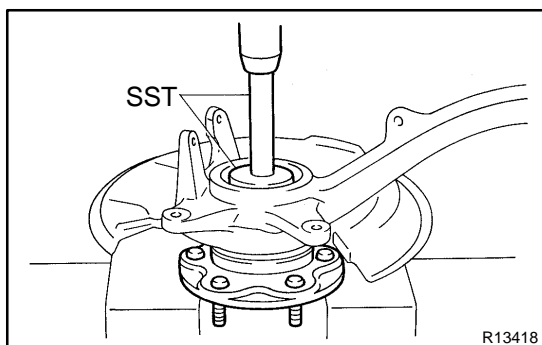
5. INSTALL BEARING SPACER

Using SST and a press, install the bearing spacer.

SST 09950-60010 (09951-00650),
09950-70010 (09951-07150)

6. 2WD:

INSTALL GREASE CAP



7. 4WD:

INSTALL NEW OIL SEAL (INSIDE)

- (a) Using SST and a plastic hammer, install a new oil seal (inside).

SST 09527-1701 1

HINT:

Strike the SST on its circumference evenly.

- (b) Coat MP grease to the oil seal lip.

