

W01615

BRAKE FLUID BLEEDING

BR07K-01

HINT:

If any work is done on the brake system or if air is suspected in the brake lines, bleed the system of air.

NOTICE:

Do not let brake fluid remain on a painted surface. Wash it off immediately.

1. FILL BRAKE RESERVOIR WITH BRAKE FLUID

Check the fluid level in the reservoir after bleeding each wheel. Add fluid, if necessary.

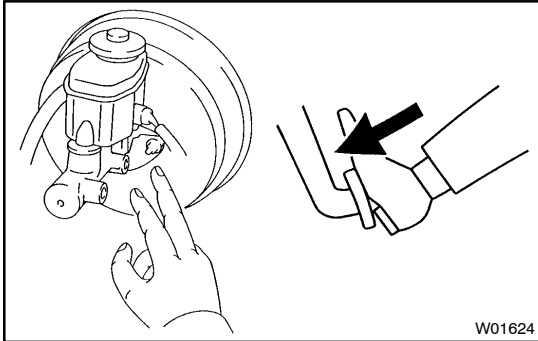
Fluid: SAEJ1703 or FMVSS No.116 DOT 3

2. BLEED MASTER CYLINDER

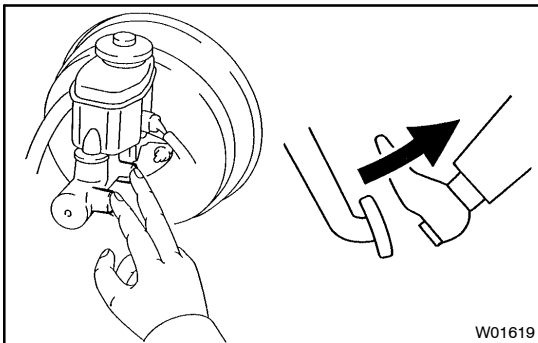
HINT:

If the master cylinder has been disassembled or if the reservoir becomes empty, bleed the air from the master cylinder.

- (a) Disconnect the brake lines from the master cylinder.
- (b) Slowly depress the brake pedal and hold it.
- (c) Block off the outlet plugs with your fingers, and release the brake pedal.
- (d) Repeat (b) and (c) 3 or 4 times.



W01624



W01619

3. CONNECT VINYL TUBE TO BRAKE CALIPER OR WHEEL CYLINDER BLEEDER PLUG

Insert other end of the tube in a half-full container of brake fluid.

NOTICE:

Bleed air of the rear brake first. If front brake is bled first, rear brake air cannot be bled.

4. BLEED BRAKE LINE

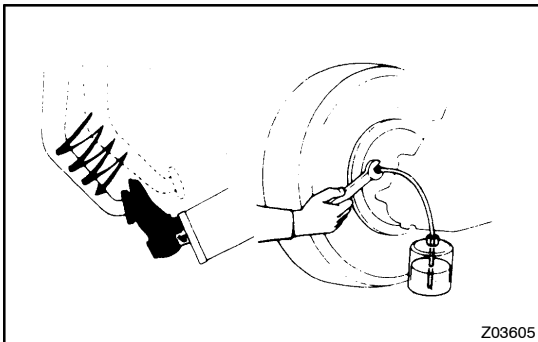
- (a) Slowly depress the brake pedal several times.
- (b) While an assistant depresses the pedal, loosen the bleeder plug until fluid starts to run out. Then tighten the bleeder plug.
- (c) Repeat this procedure until there are no more air bubbles in the fluid.

Torque: (bleeder plug)

11 N·m (110 kgf·cm, 8 ft·lbf)

5. REPEAT PROCEDURE FOR EACH WHEEL

6. BLEED LSP & BV



Z03605