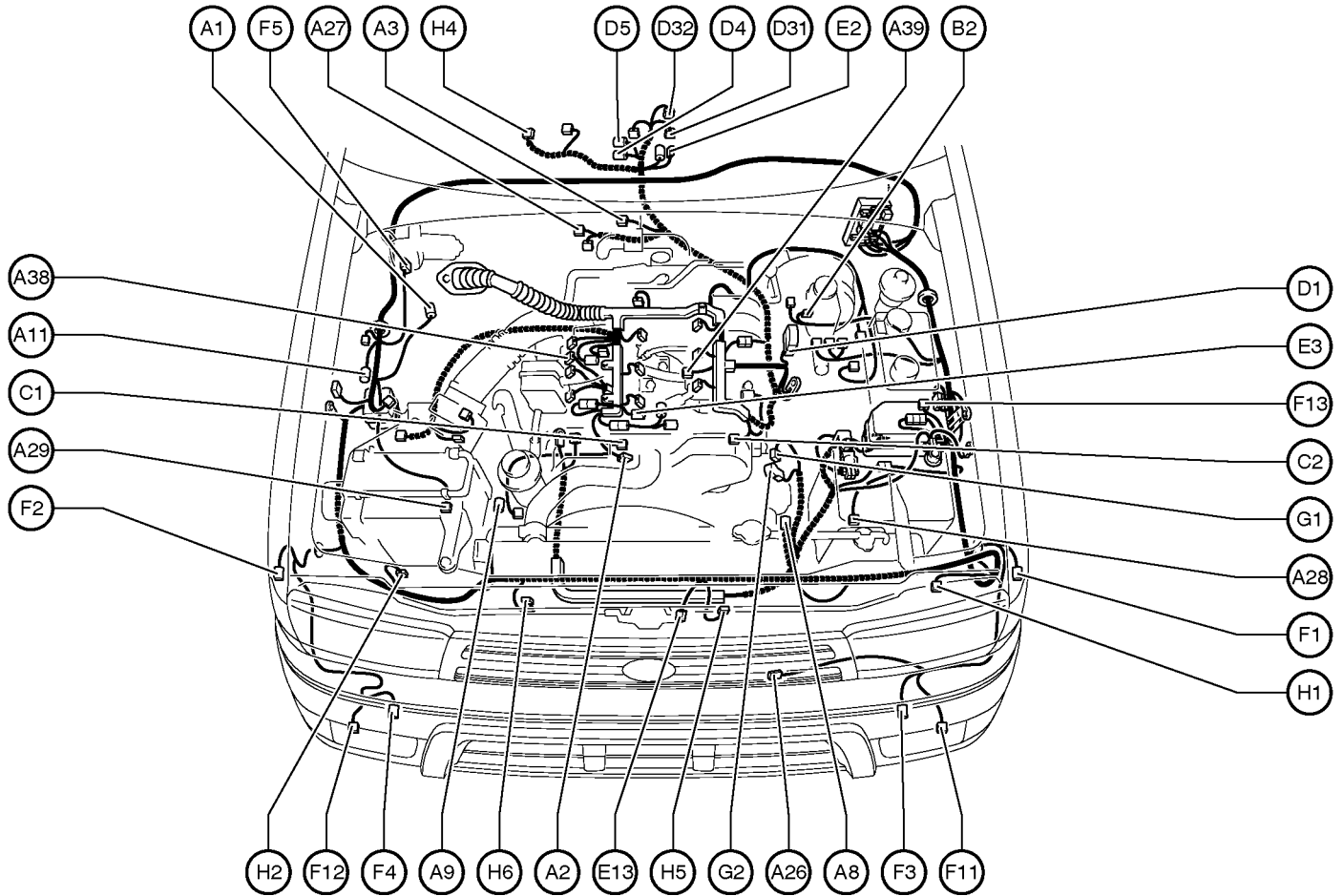


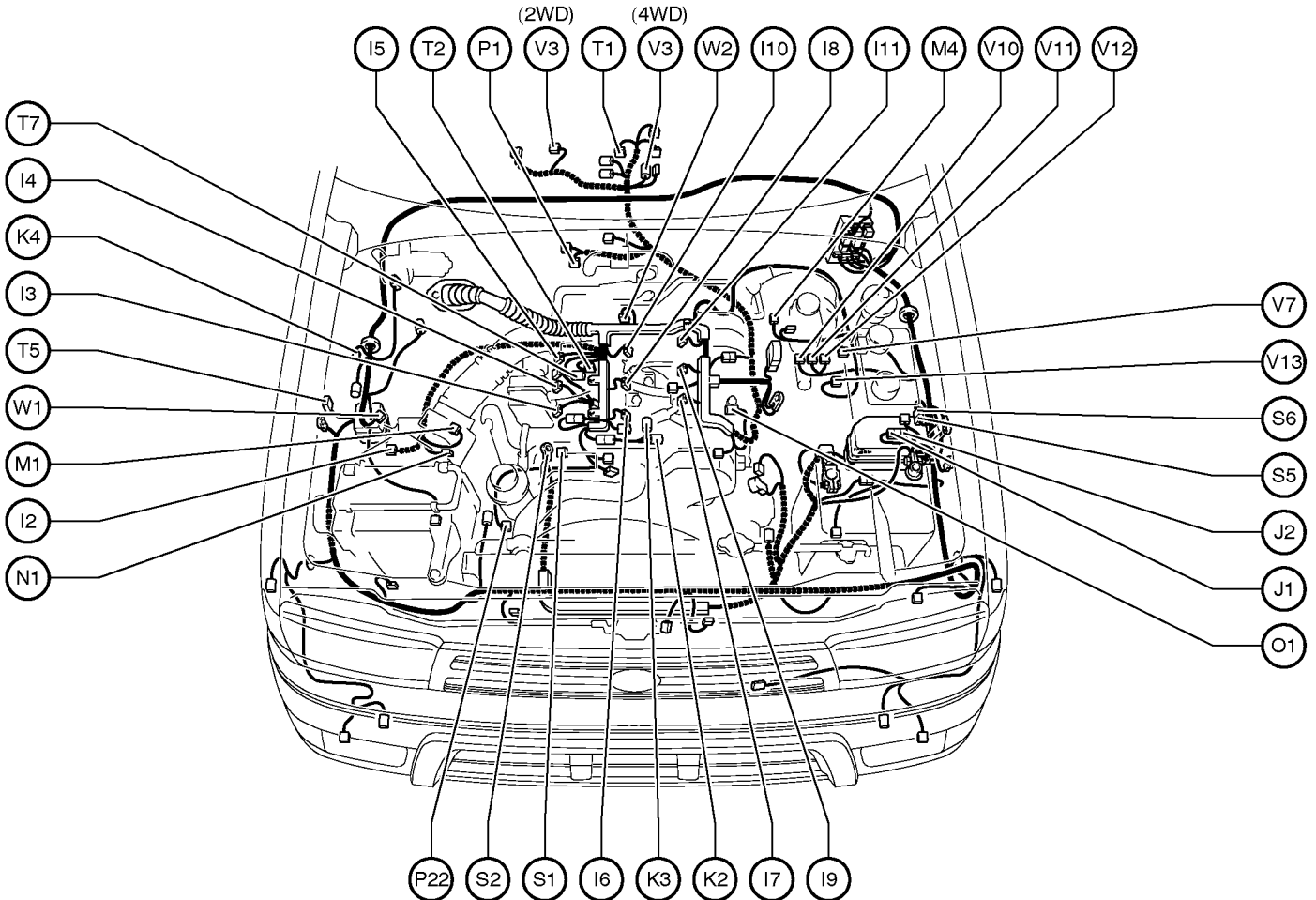
# G ELECTRICAL WIRING ROUTING

## Position of Parts in Engine Compartment



- |   |   |
|---|---|
| A 1 A/C Dual Pressure SW                      | E 2 Electronically Controlled Transmission Solenoid |
| A 2 A/C Magnetic Clutch                       | E 3 Engine Coolant Temp. Sensor                     |
| A 3 A/T Fluid Temp. Sensor                    | E13 Engine Hood Courtesy SW                         |
| A 8 ABS Speed Sensor Front LH                 | F 1 Front Parking Light LH                          |
| A 9 ABS Speed Sensor Front RH                 | F 2 Front Parking Light RH                          |
| A11 Auto Antenna Motor                        | F 3 Front Turn Signal Light LH                      |
| A26 A/C Ambient Temp. Sensor                  | F 4 Front Turn Signal Light RH                      |
| A27 Air Fuel Ratio Sensor                     | F 5 Front Wiper Motor                               |
| A28 Airbag Sensor Front LH                    | F11 Front Fog Light LH                              |
| A29 Airbag Sensor Front RH                    | F12 Front Fog Light RH                              |
| A38 Accel Position Sensor                     | F13 Fuse Box  |
| A39 ADD Actuator                              |   |
|   | G 1 Generator                                       |
| B 2 Brake Fluid Level Warning SW              | G 2 Generator                                       |
|   | H 1 Headlight LH                                    |
| C 1 Camshaft Position Sensor                  | H 2 Headlight RH                                    |
| C 2 Crankshaft Position Sensor                | H 4 Heated Oxygen Sensor (Bank 1 Sensor 2)          |
| D 1 Data Link Connector 1                     | H 5 Horn LH   |
| D 4 Detection SW (Transfer L4 Position)       | H 6 Horn RH   |
| D 5 Detection SW (Transfer Neutral Position ) |   |
| D31 Detection SW (Transfer 4WD Position)      |   |
| D32 Detection SW (Transfer H4L Position)      |   |

## Position of Parts in Engine Compartment



I 2 Igniter  
 I 3 Ignition Coil No.1  
 I 4 Ignition Coil No.2  
 I 5 Ignition Coil No.3  
 I 6 Injector No.1  
 I 7 Injector No.2  
 I 8 Injector No.3  
 I 9 Injector No.4  
 I 10 Injector No.5  
 I 11 Injector No.6

J 1 Junction Connector  
 J 2 Junction Connector

K 2 Knock Sensor No.1  
 K 3 Knock Sensor No.2  
 K 4 Keyless Buzzer

M 1 Mass Air Flow Meter  
 M 4 Master Cylinder Pressure Sensor

N 1 Noise Filter

O 1 Oil Pressure SW

P 1 Park/Neutral Position SW  
 P22 Power Steering Oil Pressure SW

S 1 Starter  
 S 2 Starter  
 S 5 Short Connector (VSC)  
 S 6 Short Connector (VSC)

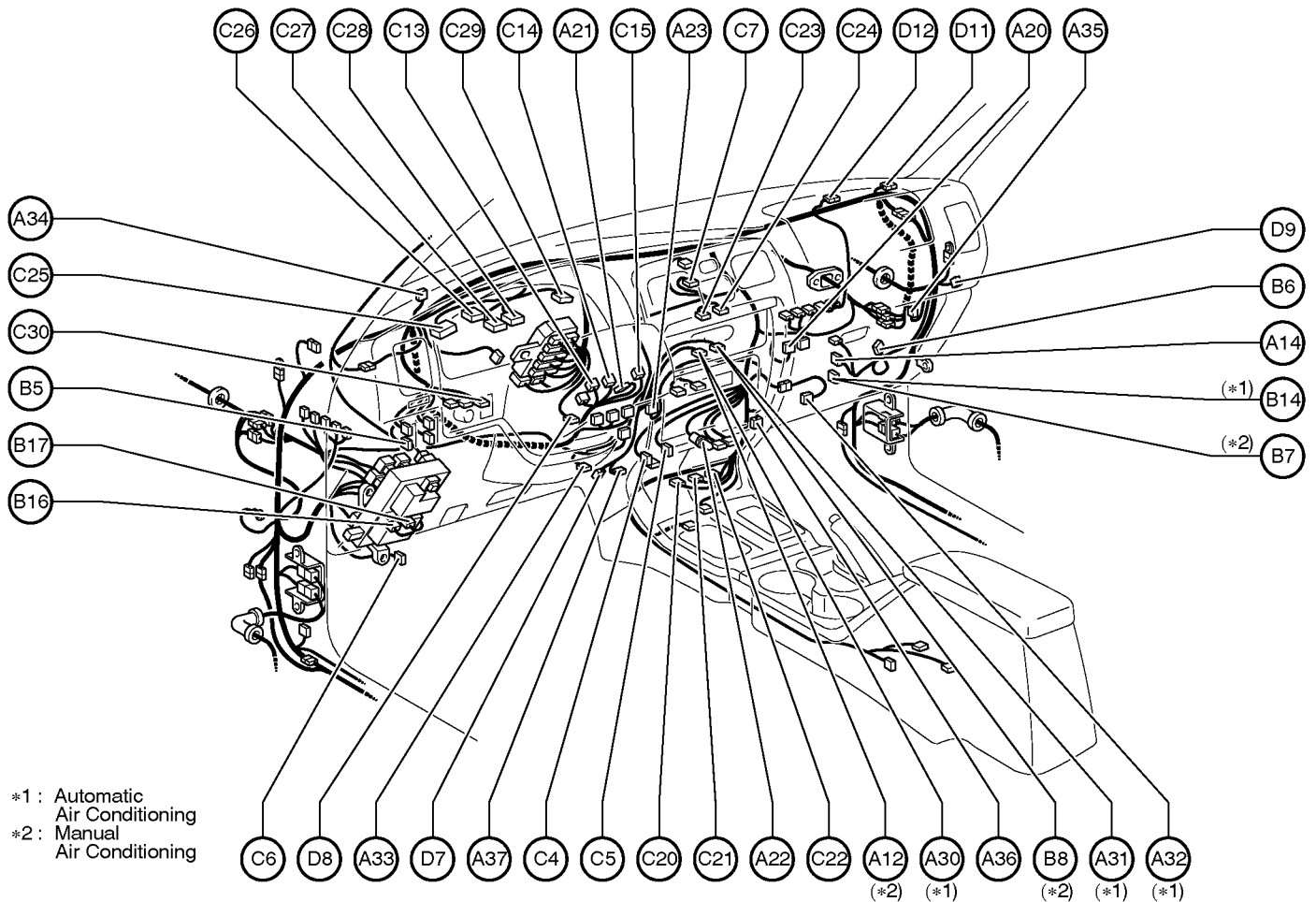
T 1 2-4 Select Motor  
 T 2 Throttle Position Sensor  
 T 5 Theft Deterrent Horn  
 T 7 Throttle Control Motor and Clutch

V 3 Vehicle Speed Sensor  
 (Electronically Controlled Transmission)  
 V 7 VSV (EVAP)  
 V10 VSC Actuator  
 V11 VSC Actuator  
 V12 VSC Actuator  
 V13 VSV (Canister Closed Valve)

W 1 Washer Motor (w/o Daytime Running Light),  
 Washer Motor and Washer Level Warning SW  
 (w/ Daytime Running Light)  
 W 2 Water Temp. Sender

# G ELECTRICAL WIRING ROUTING

## Position of Parts in Instrument Panel

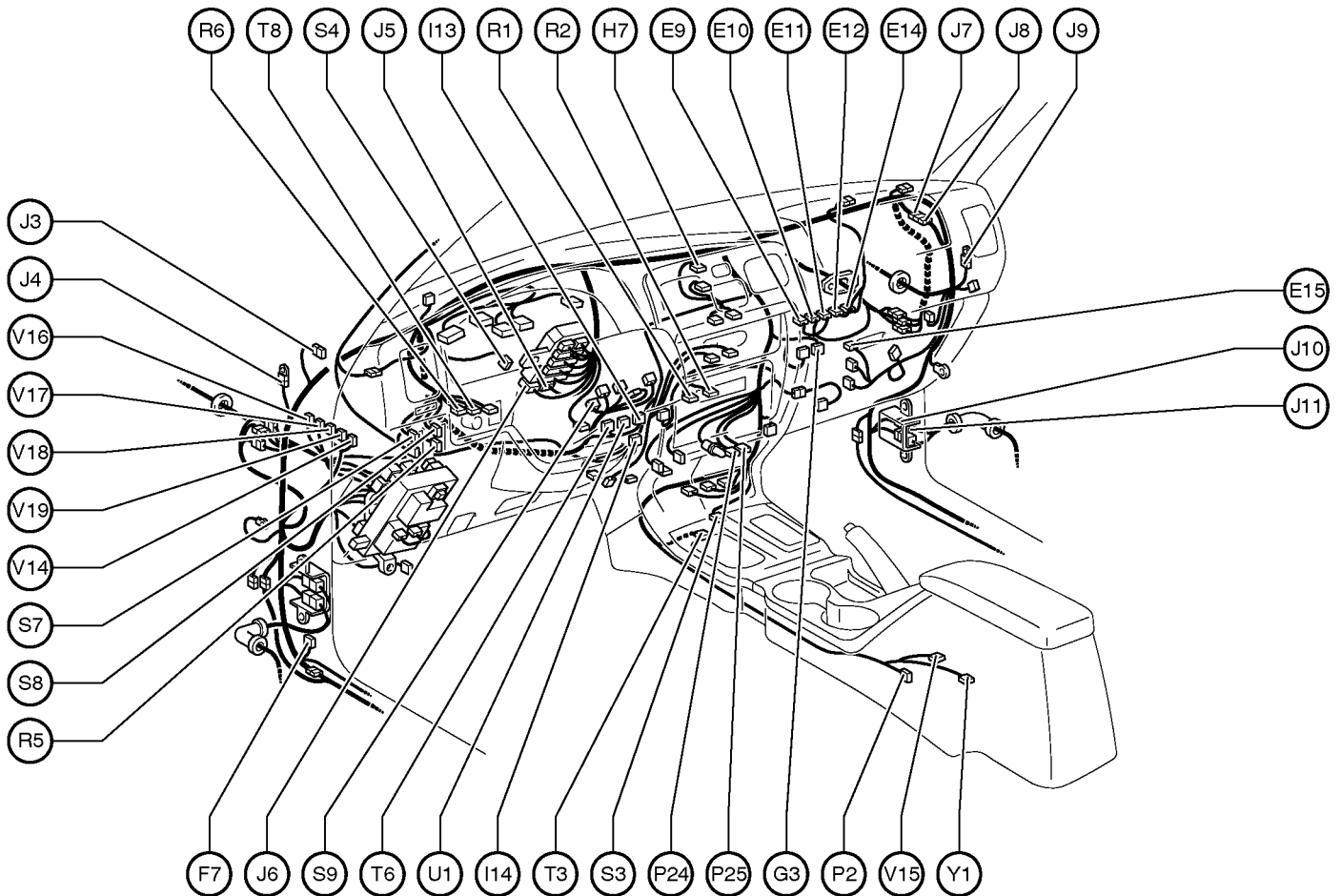


- A 12 A/C Amplifier
- A 14 A/C Thermistor
- A 20 Airbag Squib (Front Passenger Airbag Assembly)
- A 21 Airbag Squib (Steering Wheel Pad)
- A 22 Ashtray Illumination
- A 23 Auto Antenna Control Relay
- A 30 A/C Amplifier
- A 31 A/C Amplifier
- A 32 A/C Magnetic Clutch Relay
- A 33 A/C Room Temp. Sensor
- A 34 A/C Solar Sensor
- A 35 Air Inlet Control Servo Motor
- A 36 Air Mix Control Servo Motor and A/C Water Temp. Sensor
- A 37 Air Vent Mode Control Servo Motor

- B 5 Back Window Lock SW
- B 6 Blower Motor
- B 7 Blower Resistor
- B 8 Blower SW
- B 14 Blower Motor Linear Controller
- B 16 Body ECU
- B 17 Body ECU

- C 4 Cigarette Lighter
- C 5 Cigarette Lighter Illumination
- C 6 Circuit Opening Relay
- C 7 Clock
- C 13 Combination SW
- C 14 Combination SW
- C 15 Combination SW
- C 20 Center Airbag Sensor Assembly
- C 21 Center Airbag Sensor Assembly
- C 22 Center Airbag Sensor Assembly
- C 23 Center Cluster SW
- C 24 Center Cluster SW
- C 25 Combination Meter
- C 26 Combination Meter
- C 27 Combination Meter
- C 28 Combination Meter
- C 29 Combination Meter
- C 30 Center Diff. Lock SW
- D 7 Data Link Connector 3
- D 8 Daytime Running Light Relay (Main)
- D 9 Daytime Running Light Relay No.4
- D 11 Diode (Back Window)
- D 12 Diode (Daytime Running Light No.1)

## Position of Parts in Instrument Panel



E 9 Engine Control Module  
 E10 Engine Control Module  
 E11 Engine Control Module  
 E12 Engine Control Module  
 E14 Engine Control Module  
 E15 Extra High Speed Relay

F 7 4WD ECU

G 3 Glove Box Light

H 7 Hazard SW

I 13 Ignition Key Cylinder Light

I 14 Ignition SW

J 3 Junction Connector

J 4 Junction Connector

J 5 Junction Connector

J 6 Junction Connector

J 7 Junction Connector

J 8 Junction Connector

J 9 Junction Connector

J 10 Junction Connector

J 11 Junction Connector

P 2 Parking Brake SW

P24 Power Outlet Front LH

P25 Power Outlet Front RH

R 1 Radio and Player (Built-In Type Amplifier) or  
 Stereo Power Amplifier (Separate Type Amplifier)

R 2 Radio and Player (Built-In Type Amplifier) or  
 Stereo Power Amplifier (Separate Type Amplifier)

R 5 Remote Control Mirror SW

R 6 Rheostat

S 3 Shift Lock Control Computer

S 4 Stop Light SW

S 7 Seat Heater SW LH

S 8 Seat Heater SW RH

S 9 Steering Sensor

T 3 2-4 Select SW

T 6 Transponder Key Amplifier

T 8 TRAC Off SW

U 1 Unlock Warning SW

V14 VSC Buzzer

V15 VSC Deceleration Sensor

V16 VSC ECU

V17 VSC ECU

V18 VSC ECU

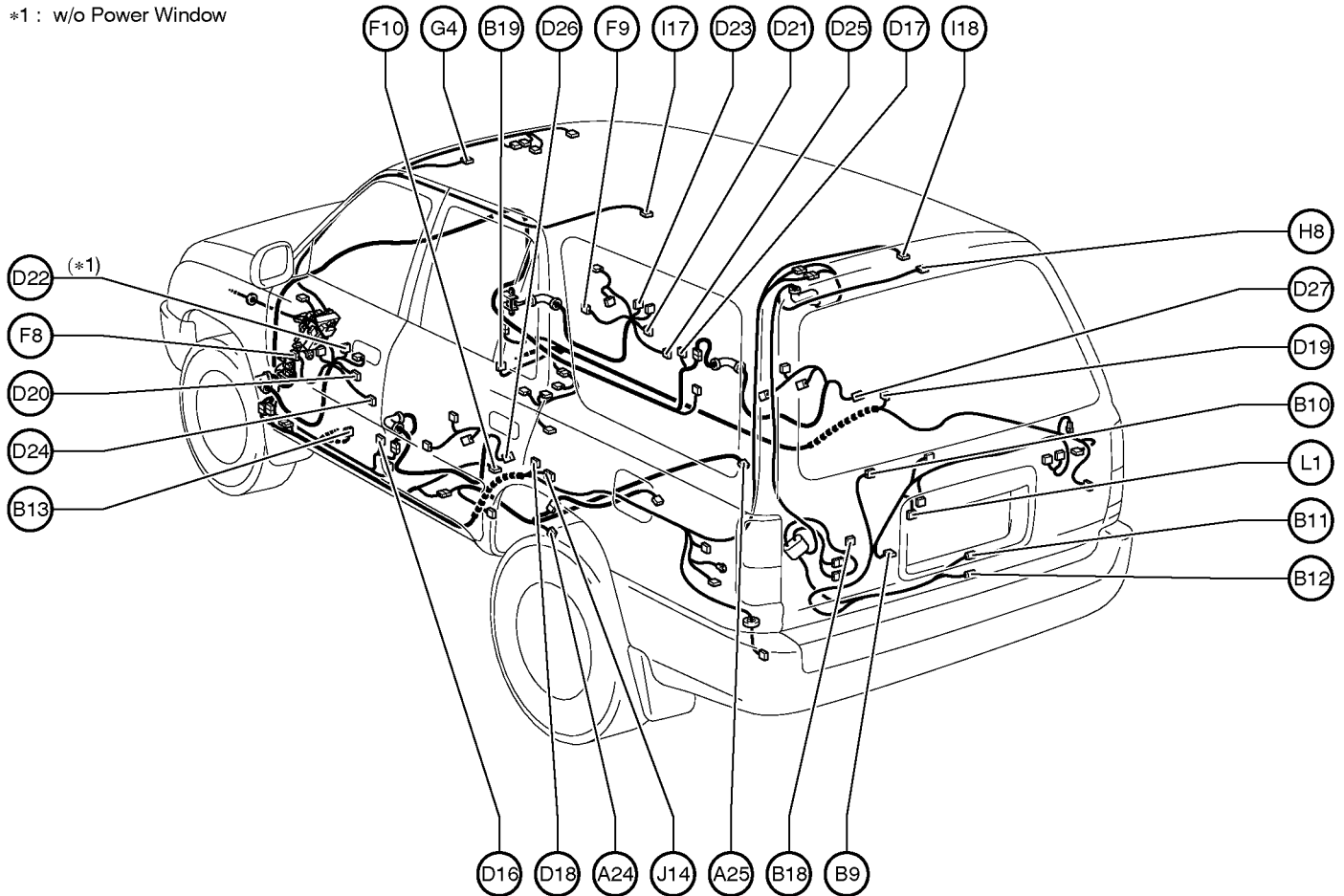
V19 VSC ECU

Y 1 Yaw Rate Sensor

# G ELECTRICAL WIRING ROUTING

## Position of Parts in Body

\*1 : w/o Power Window



A24 ABS Speed Sensor Rear LH  
A25 ABS Speed Sensor Rear RH

B 9 Back Door Courtesy SW  
B10 Back Door Lock Motor and  
Back Door Unlock Detection SW  
B11 Back Window Limit SW  
B12 Back Window Motor  
B13 Buckle SW LH (w/o Power Seat)  
B18 Back Door ECU  
B19 Buckle SW RH (w/o Power Seat)

D16 Door Courtesy SW Front LH  
D17 Door Courtesy SW Front RH  
D18 Door Courtesy SW Rear LH  
D19 Door Courtesy SW Rear RH  
D20 Door Key Lock and Unlock SW Front LH  
D21 Door Key Lock and Unlock SW Front RH  
D22 Door Lock Control SW Front LH (w/o Power Window)  
D23 Door Lock Control SW Front RH  
D24 Door Lock Motor and Door Unlock Detection SW  
Front LH

D25 Door Lock Motor and Door Unlock Detection SW  
Front RH  
D26 Door Lock Motor and Door Unlock Detection SW  
Rear LH  
D27 Door Lock Motor and Door Unlock Detection SW  
Rear RH

F 8 Front Door Speaker LH  
F 9 Front Door Speaker RH  
F 10 Fuel Sender and Fuel Pump

G 4 Garage Door Opener

H 8 High Mounted Stop Light

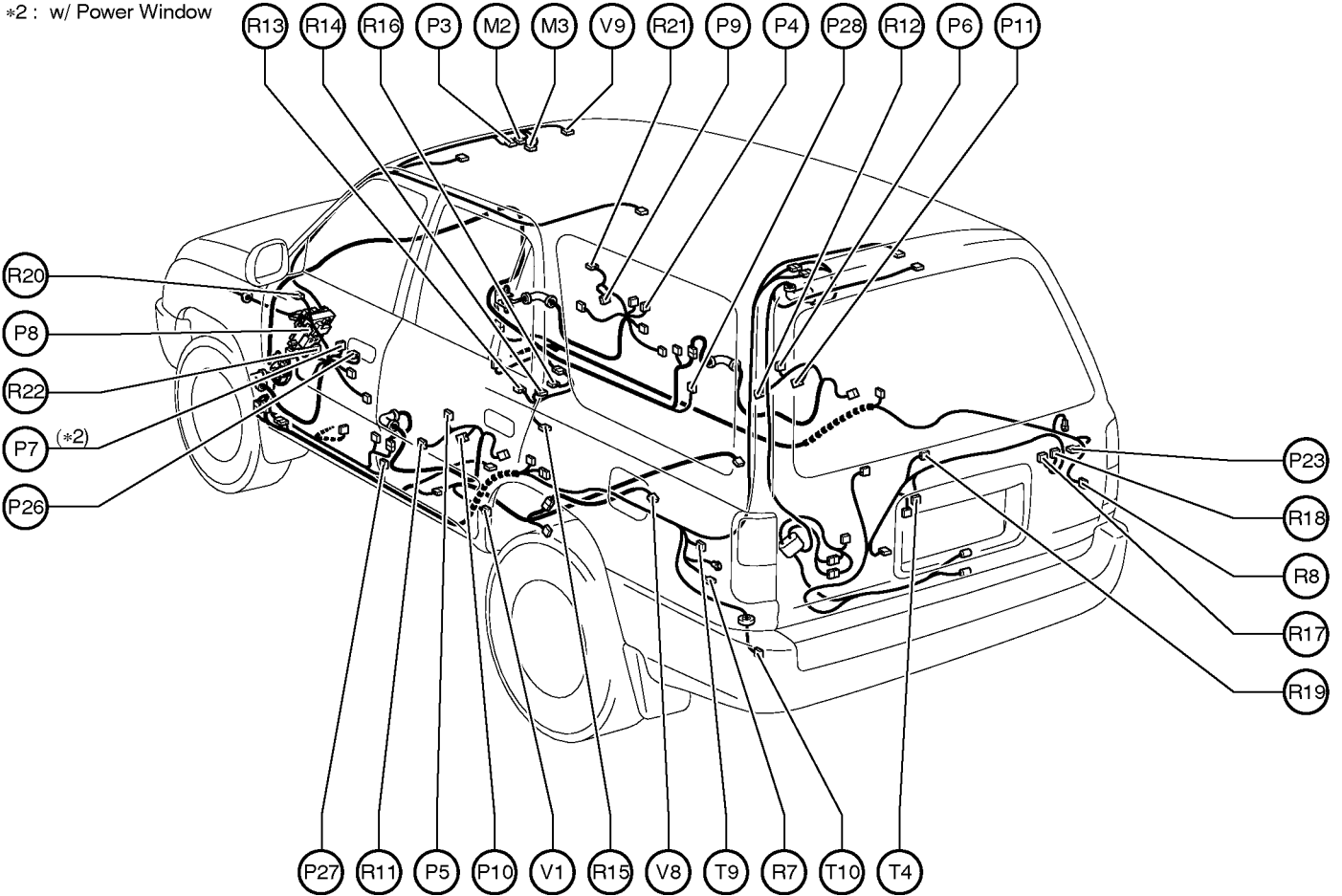
I 17 Interior Light (Front)  
I 18 Interior Light (Rear)

J 14 Junction Connector

L 1 License Plate Light

## Position of Parts in Body

\*2 : w/ Power Window



M 2 Moon Roof Control Motor and Limit SW  
 M 3 Moon Roof Control Relay and SW

P 3 Personal Light  
 P 4 Power Window Control SW Front RH  
 P 5 Power Window Control SW Rear LH  
 P 6 Power Window Control SW Rear RH  
 P 7 Power Window Master SW  
 P 8 Power Window Motor Front LH  
 P 9 Power Window Motor Front RH  
 P 10 Power Window Motor Rear LH  
 P 11 Power Window Motor Rear RH  
 P 23 Power Outlet (Rear)  
 P 26 Power Window Master SW  
 P 27 Pretensioner LH  
 P 28 Pretensioner RH

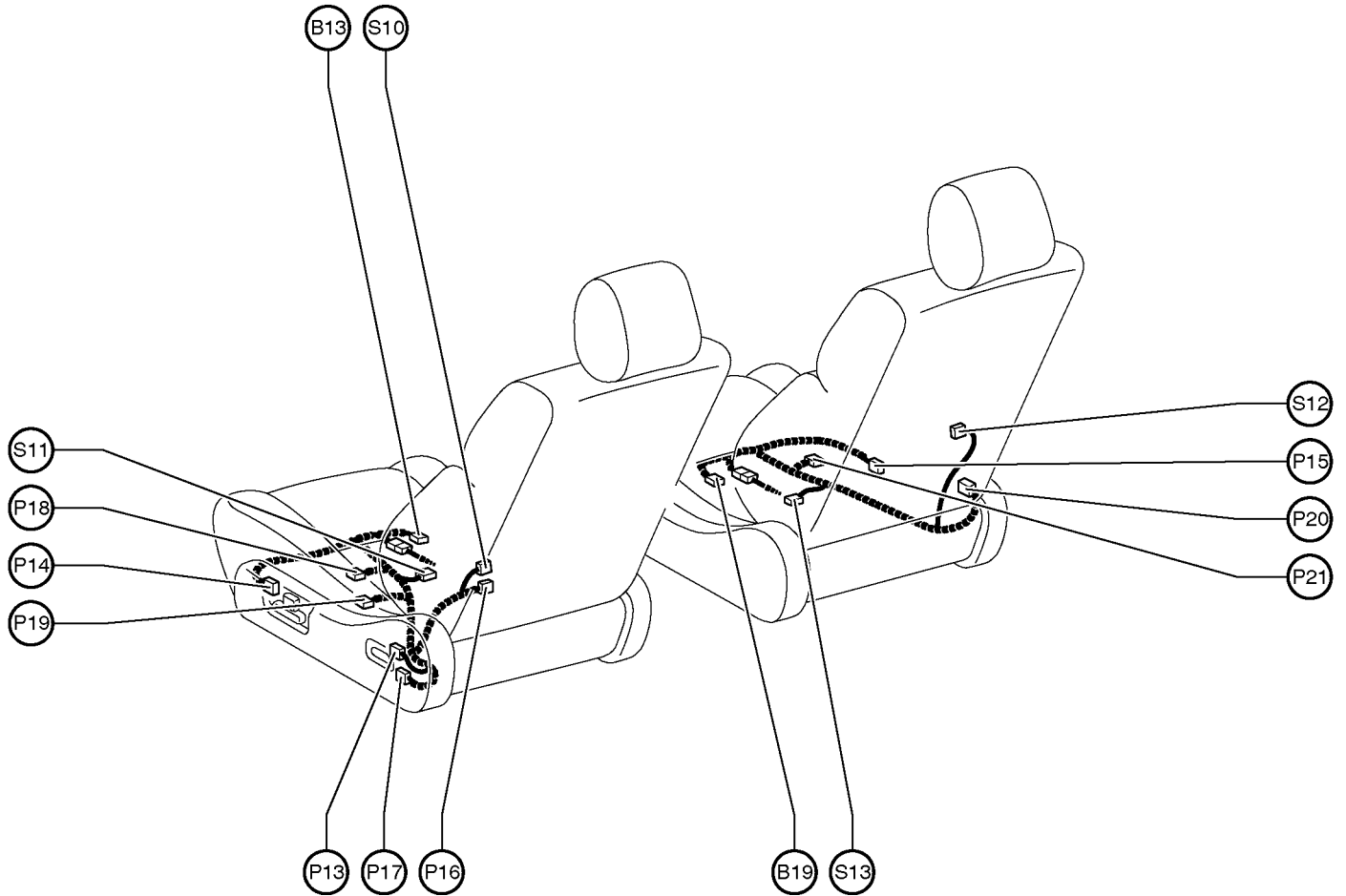
R 7 Rear Combination Light LH  
 R 8 Rear Combination Light RH  
 R 11 Rear Door Speaker LH  
 R 12 Rear Door Speaker RH  
 R 13 Rear Heater Blower Motor  
 R 14 Rear Heater Blower Resistor  
 R 15 Rear Heater Blower SW  
 R 16 Rear Heater Relay  
 R 17 Rear Window Defogger  
 R 18 Rear Window Defogger  
 R 19 Rear Wiper Motor  
 R 20 Remote Control Mirror LH  
 R 21 Remote Control Mirror RH  
 R 22 Remote Control Mirror SW

T 4 Tailgate Control SW  
 T 9 Trailer Converter  
 T 10 Trailer Socket

V 1 Vapor Pressure Sensor  
 V 8 VSV (Vapor Pressure Sensor)  
 V 9 Vanity Light RH

# G ELECTRICAL WIRING ROUTING

## Position of Parts in Seat



B13 Buckle SW LH (w/ Power Seat)

B19 Buckle SW RH (w/ Power Seat)

P13 Power Seat Control SW (Driver's Seat Lumbar Support)

P14 Power Seat Control SW (Driver's Side)

P15 Power Seat Control SW (Front Passenger's Side)

P16 Power Seat Motor (Driver's Seat Lumbar Support)

P17 Power Seat Motor (Driver's Seat Reclining Control)

P18 Power Seat Motor (Driver's Seat Slide Control)

P19 Power Seat Motor (Driver's Seat Vertical Control)

P20 Power Seat Motor  
(Front Passenger's Seat Reclining Control)

P21 Power Seat Motor  
(Front Passenger's Seat Slide Control)

S10 Seat Heater (Driver's Seat Back)

S11 Seat Heater (Driver's Seat Cushion)

S12 Seat Heater (Front Passenger's Seat Back)

S13 Seat Heater (Front Passenger's Seat Cushion)

