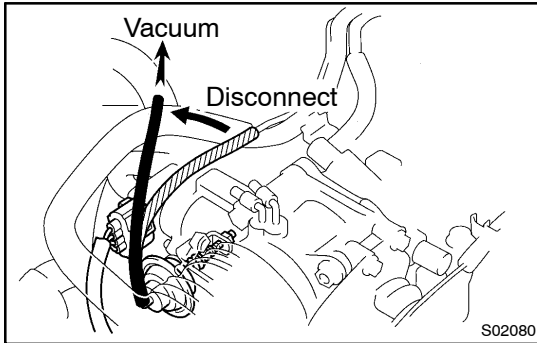


## THROTTLE BODY ON-VEHICLE INSPECTION

SF029-02

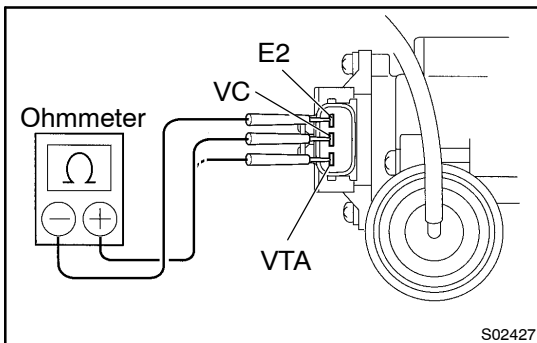
### 1. INSPECT THROTTLE BODY

Check that the throttle linkage moves smoothly.



### 2. INSPECT THROTTLE POSITION SENSOR

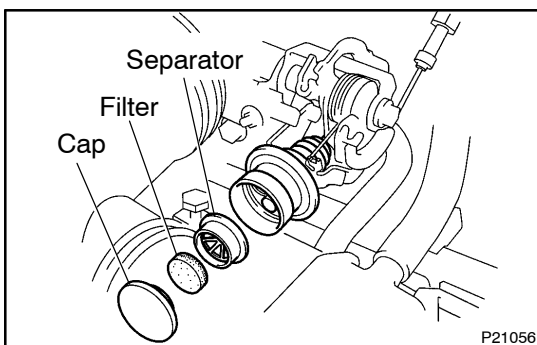
- (a) Apply vacuum to the throttle opener.
- (b) Disconnect the sensor connector.



- (c) Using an ohmmeter, measure the resistance between each terminal.

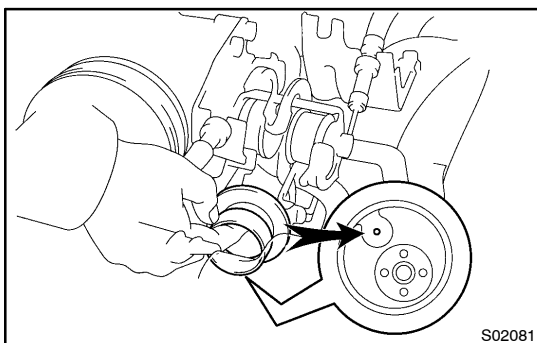
Throttle valve condition	Between terminals	Resistance
Fully closed	VTA - E2	0.28 - 6.4 kΩ
Fully open	VTA - E2	2.0 - 11.6 kΩ
-	VC - E2	2.7 - 7.7 kΩ

- (d) Connect the sensor connector.



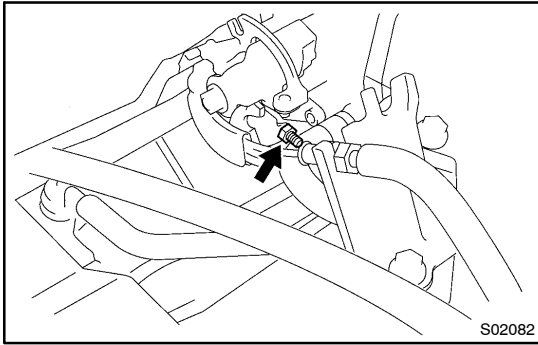
### 3. (M/T) INSPECT DASHPOT (DP)

- (a) Allow the engine to warm up to normal operating temperature.
- (b) Check idle speed.  
**Idle speed: 700 ± 50 rpm**
- (c) Remove the cap, filter and separator from the DP.



- (d) Maintain engine speed at 2,500 rpm or more.
- (e) Plug the VTV hole with your finger.
- (f) Release the throttle valve.
- (g) Check the DP is set.

**DP setting speed: 1,800 - 2,200 rpm**



- (h) If the setting speed is not as specified, adjust it with the DP adjusting screw.
- (i) Remove your finger from the hole and check that the engine returns to idle speed in approx. 1 second.
- (j) Reinstall DP separator, filter and cap.

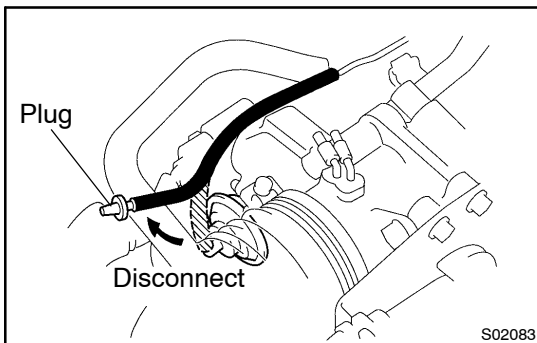
**HINT:**

Install the filter with the coarser surface facing the atmospheric side (outward).

**4. INSPECT THROTTLE OPENER**

- (a) Allow the engine to warm up to normal operating temperature.
- (b) Check idle speed.

**Idle speed: 700 ± 50 rpm**



- (c) Disconnect the vacuum hose from the throttle opener, and plug the hose end.
- (d) Check the throttle opener setting speed.

**Throttle opener setting speed: 900 - 1,950 rpm**

If the throttle opener setting is not as specified, replace the throttle body.

- (e) Stop the engine.
- (f) Connect the vacuum hose to the throttle opener.
- (g) Start the engine and check that the idle speed returns to the correct speed.