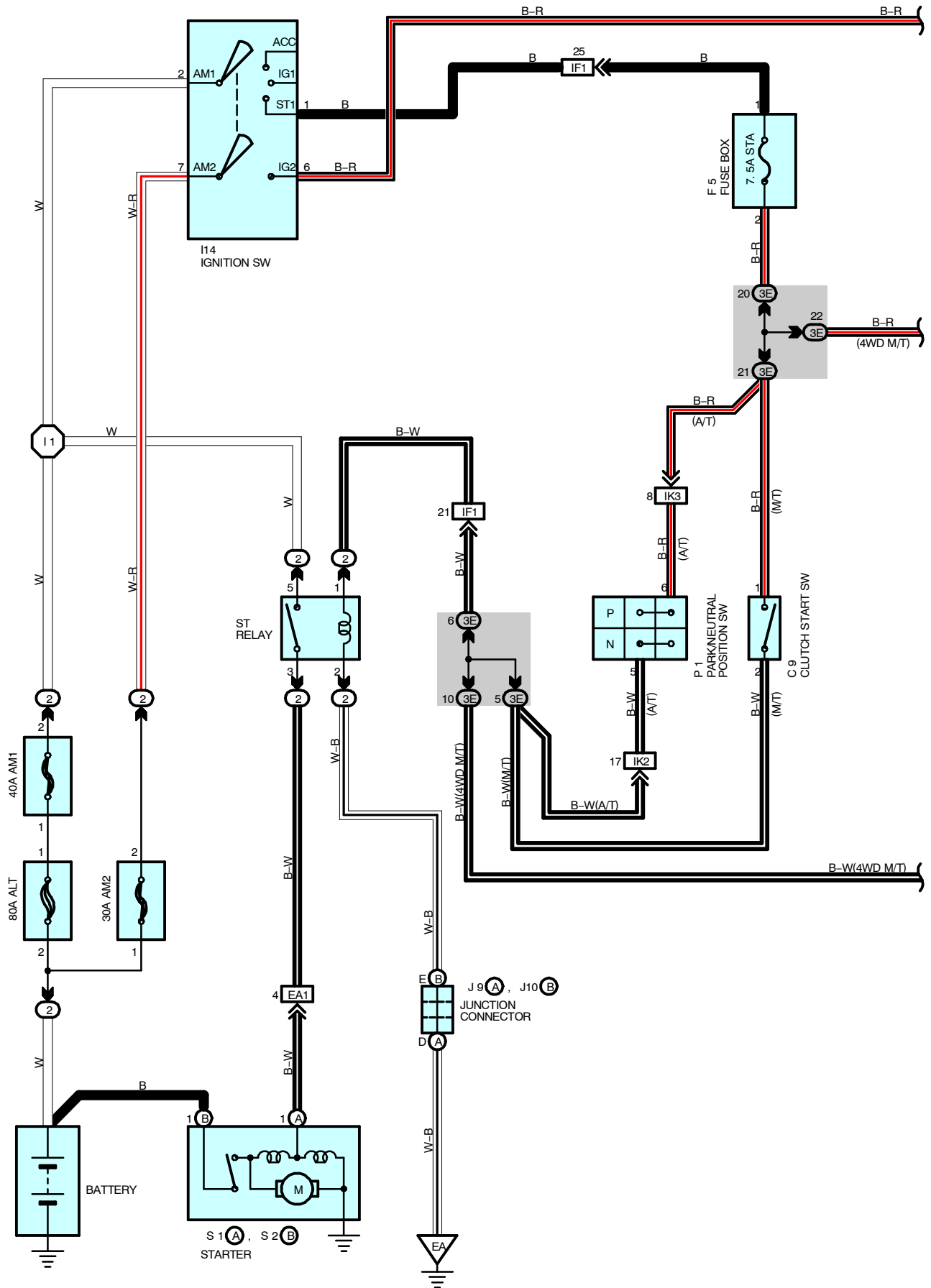
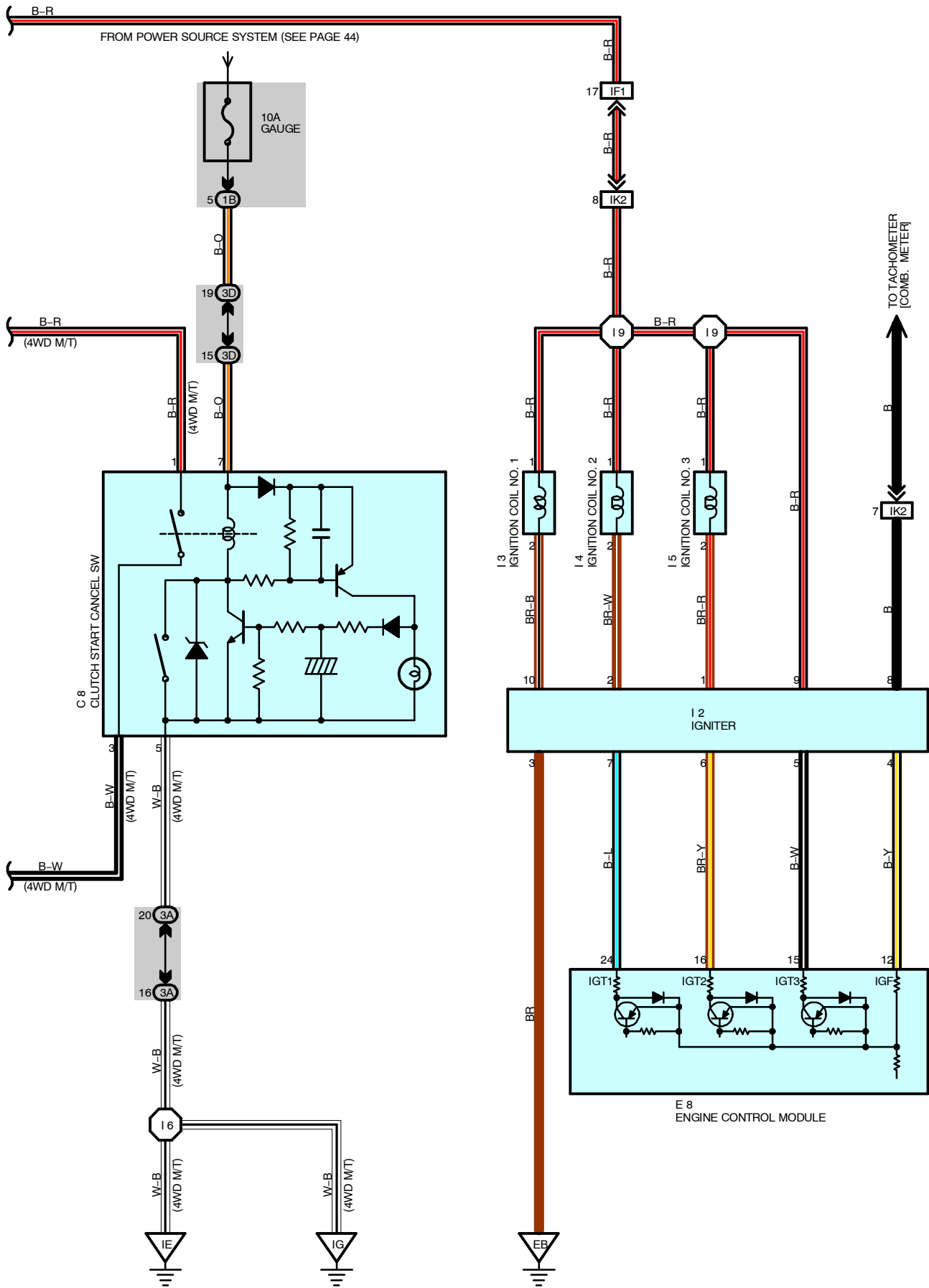


STARTING AND IGNITION (5VZ-FE)





STARTING AND IGNITION (5VZ-FE)

SERVICE HINTS

S1 (A), S2 (B) STARTER

Points closed with Park/Neutral position SW at **P** or **N** position and ignition SW at **ST** position (A/T)

Points closed with clutch start SW or clutch start cancel SW on and ignition SW at **ST** position (4WD M/T)

Points closed with clutch start SW on and ignition SW at **ST** position (2WD M/T)

I14 IGNITION SW

7-6 : Closed with ignition SW at **ON** or **ST** position

2-1 : Closed with ignition SW at **ST** position

P1 PARK/NEUTRAL POSITION SW (A/T)

6-5 : Closed with A/T shift lever in **P** or **N** position

ST RELAY [R/B NO.2]

5-3 : Closed with Park/Neutral position SW at **P** or **N** position and ignition SW at **ST** position (A/T)

5-3 : Closed with clutch start SW or clutch start cancel SW on and ignition SW at **ST** position (4WD M/T)

5-3 : Closed with clutch start SW on and ignition SW at **ST** position (2WD M/T)

C8 CLUTCH START CANCEL SW (4WD M/T)

1-3 : Closed with ignition SW on and cancel SW on

C9 CLUTCH START SW (M/T)

1-2 : Closed with clutch pedal fully depressed

○ : PARTS LOCATION

Code	See Page	Code	See Page	Code	See Page
C8	30	I3	27 (5VZ-FE)	J10	B 27
C9	30	I4	27 (5VZ-FE)	P1 27 (5VZ-FE)	
E8	31	I5	27 (5VZ-FE)	S1	A 27 (5VZ-FE)
F5	31	I14	31	S2	B 27 (5VZ-FE)
I2	26 (5VZ-FE)	J9	A 27		

○ : RELAY BLOCKS

Code	See Page	Relay Blocks (Relay Block Location)
2	19	R/B No.2 (Engine Compartment Left)

○ : JUNCTION BLOCK AND WIRE HARNESS CONNECTOR

Code	See Page	Junction Block and Wire Harness (Connector Location)
1B	20	Cowl Wire and J/B No.1 (Lower Finish Panel)
3A	22	Cowl Wire and J/B No.3 (Behind the Instrument Panel Left)
3D		
3E		

□ : CONNECTOR JOINING WIRE HARNESS AND WIRE HARNESS

Code	See Page	Joining Wire Harness and Wire Harness (Connector Location)
EA1	34 (5VZ-FE)	Engine Room Main Wire and Engine No.2 Wire (Near the Battery)
IF1	38	Engine Room Main Wire and Cowl Wire (Left Kick Panel)
IK2	38	Engine Wire and Cowl Wire (Right Kick Panel)
IK3		

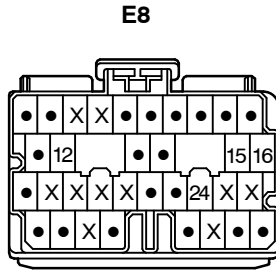
▽ : GROUND POINTS

Code	See Page	Ground Points Location
EA	34 (5VZ-FE)	Front Left Fender
EB	34 (5VZ-FE)	Under the Data Link Connector 1
IE	38	Around the Right Edge of the Reinforcement
IG	38	Around the Left Edge of the Reinforcement



: SPLICE POINTS

Code	See Page	Wire Harness with Splice Points	Code	See Page	Wire Harness with Splice Points
I1	38	Engine Room Main Wire	I9	38	Engine Wire
I6	38	Cowl Wire			



F5
(See Page 20)

