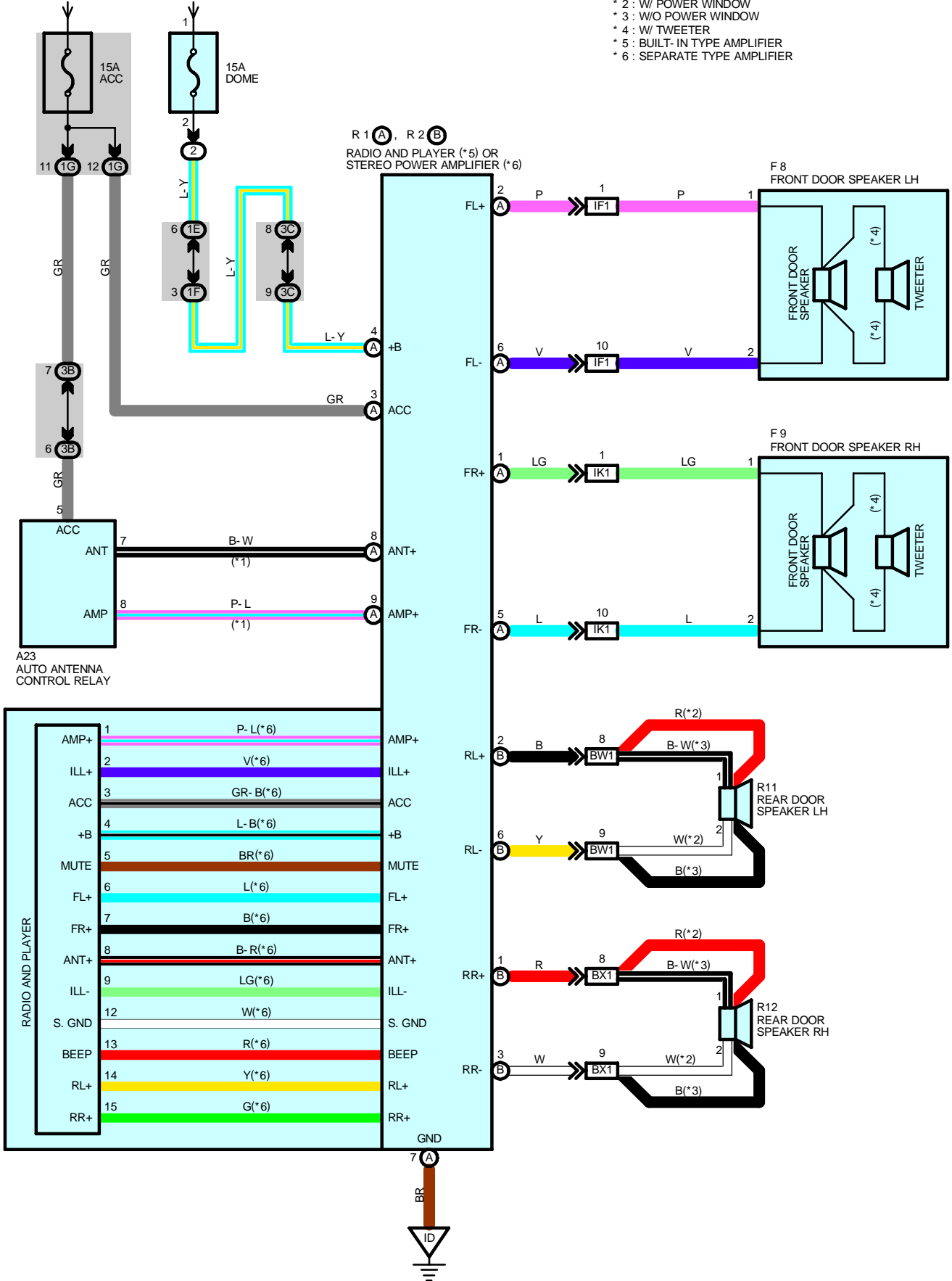


# RADIO AND PLAYER

FROM POWER SOURCE SYSTEM (SEE PAGE 48)

- \* 1 : W/ AUTO ANTENNA
- \* 2 : W/ POWER WINDOW
- \* 3 : W/O POWER WINDOW
- \* 4 : W/ TWEETER
- \* 5 : BUILT- IN TYPE AMPLIFIER
- \* 6 : SEPARATE TYPE AMPLIFIER



**SERVICE HINTS****R1 (A) RADIO AND PLAYER (BUILT-IN TYPE AMPLIFIER) OR  
STEREO POWER AMPLIFIER (SEPARATE TYPE AMPLIFIER)**

- (A) 3-GROUND : Approx. **12** volts with ignition SW at **ON** or **ACC** position  
 (A) 4-GROUND : Always approx. **12** volts  
 (A) 7-GROUND : Always continuity

**○ : PARTS LOCATION**

Code	See Page	Code	See Page	Code	See Page	
A23	30	R1	A	31	R12	33
F8	32	R2	B	31		
F9	32	R11		33		

**○ : RELAY BLOCKS**

Code	See Page	Relay Blocks (Relay Block Location)
2	22	Engine Room R/B (Engine Compartment Left)

**○ : JUNCTION BLOCK AND WIRE HARNESS CONNECTOR**

Code	See Page	Junction Block and Wire Harness (Connector Location)
1E	24	Engine Room Main Wire and Driver Side J/B (Lower Finish Panel)
1F	24	Cowl Wire and Driver Side J/B (Lower Finish Panel)
1G		
3B	26	Cowl Wire and Center J/B (Near the Steering Column Tube)
3C		

**□ : CONNECTOR JOINING WIRE HARNESS AND WIRE HARNESS**

Code	See Page	Joining Wire Harness and Wire Harness (Connector Location)
IF1	38	Front Door LH Wire and Cowl Wire (Left Kick Panel)
IK1	40	Front Door RH Wire and Cowl Wire (Right Kick Panel)
BW1	42	Rear Door LH Wire and Cowl Wire (Left Center Pillar)
BX1	42	Rear Door RH Wire and Cowl Wire (Right Center Pillar)

**▽ : GROUND POINTS**

Code	See Page	Ground Points Location
ID	38	Left Kick Panel