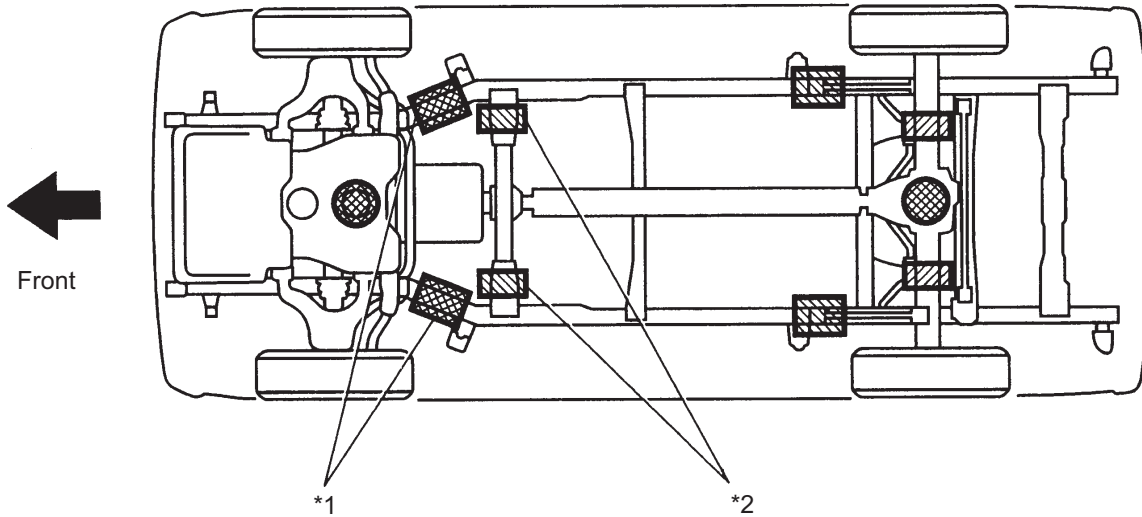



VEHICLE LIFT AND SUPPORT LOCATIONS



JACK POSITION 

Front Center of crossmember
 Rear Center of rear axle housing

CAUTION: When jacking-up the front and rear make sure the car is not carrying any extra eight.

SUPPORT POSITION

Safety stand 

Swing arm type lift 

*1: Support position when equipping without side step.
 *2: Support position when equipping with side step.