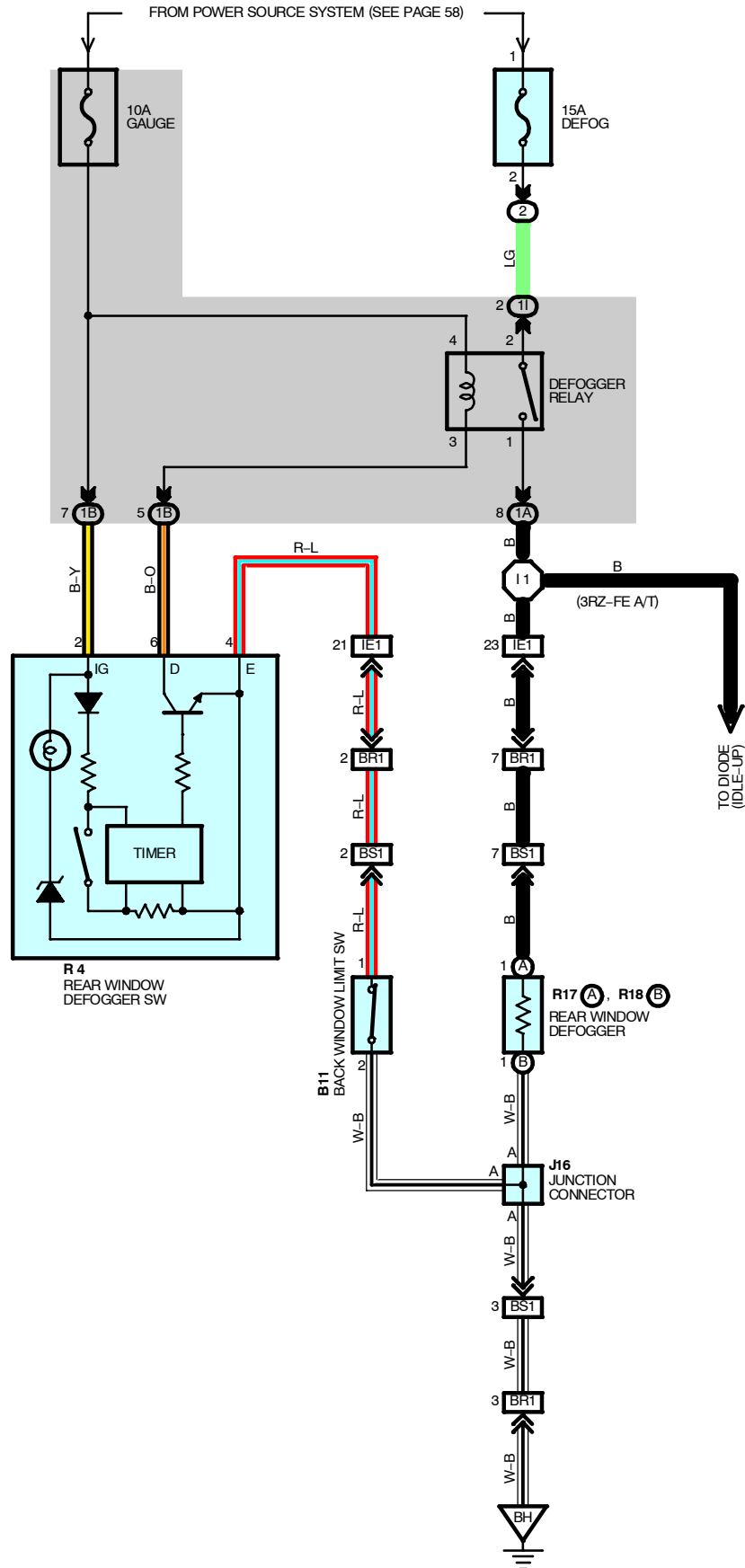


# REAR WINDOW DEFOGGER



## SERVICE HINTS

### B11 BACK WINDOW LIMIT SW

1-2 :Closed with back power window fully closed

### DEFOGGER RELAY [DRIVER SIDE J/B]

2-1 :Closed with ignition SW at **ON** position, rear window fully closed (Limit SW on) and rear window defogger SW on

2-GROUND :Always approx. 12 volts

### R4 REAR WINDOW DEFOGGER SW

2-4 :Closed with rear window fully closed (Limit SW on) and rear defogger SW on

## ○ : PARTS LOCATION

Code	See Page	Code	See Page	Code	See Page
B11	32	R4	31	R18   B	33
J16	32	R17   A	33		

## ○ : RELAY BLOCKS

Code	See Page	Relay Blocks (Relay Block Location)
2	20 (USA)	Engine Room R/B (Engine Compartment Left)
	21 (Canada)	

## ○ : JUNCTION BLOCK AND WIRE HARNESS CONNECTOR

Code	See Page	Junction Block and Wire Harness (Connector Location)
1A	22	Cowl Wire and Driver Side J/B (Lower Finish Panel)
1B		
1I	22	Engine Room Main Wire and Driver Side J/B (Lower Finish Panel)

## □ : CONNECTOR JOINING WIRE HARNESS AND WIRE HARNESS

Code	See Page	Joining Wire Harness and Wire Harness (Connector Location)
IE1	40	Cowl Wire and Floor No.2 Wire (Left Kick Panel)
BR1	42	Back Door No.1 Wire and Floor No.2 Wire (Left Rear Side of Roof)
BS1	42	Back Door No.1 Wire and Back Door No.2 Wire (Back Door Left)

## ▽ : GROUND POINTS

Code	See Page	Ground Points Location
BH	42	Left Quarter Panel Inner

## ○ : SPLICE POINTS

Code	See Page	Wire Harness with Splice Points	Code	See Page	Wire Harness with Splice Points
I1	40	Cowl Wire			

