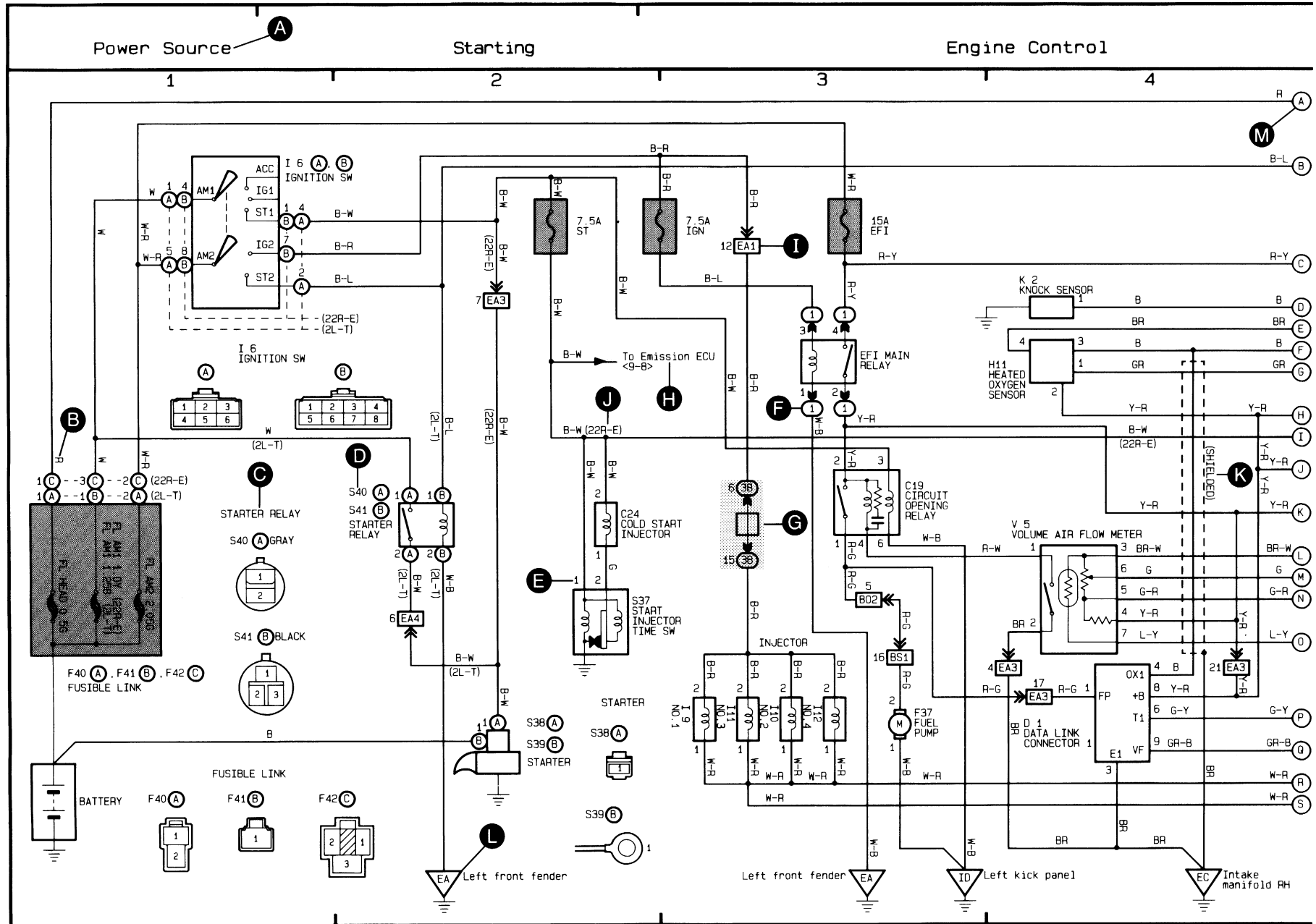


HOW TO READ THIS SECTION

* The system shown here is an EXAMPLE ONLY. It is different to the actual circuit shown in the wiring diagram section.



A: System Title

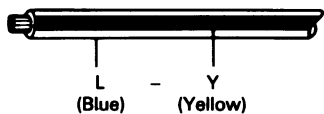
B: Indicates the wiring color.

Wire colors are indicated by an alphabetical code.

B = Black L = Blue R = Red
BR = Brown LG = Light Green V = Violet
G = Green O = Orange W = White
GR = Gray P = Pink Y = Yellow

The first letter indicates the basic wire color and the second letter indicates the color of the stripe.

Example: L - Y



C: Indicates the connector to be connected to a part (the numeral indicates the pin No.)

D: The position of the parts is the same as shown in the wiring diagram and wire routing.

E: Indicates the pin number of the connector. The numbering system is different for female and male connectors.

Example: Numbered in order from upper left to lower right Numbered in order from upper right to lower left



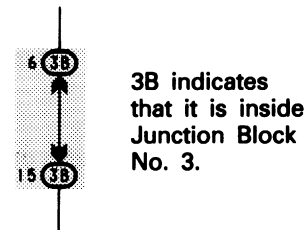
The numbering system for the overall wiring diagram is the same as above.

F: Indicates a Relay Block. No shading is used and only the Relay Block No. is shown to distinguish it from the J/B.

Example: **1** Indicates Relay Block No. 1.

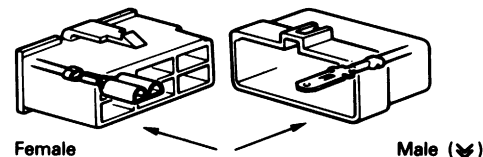
G: Junction Block (The number in the circle is the J/B No. and the connector code is shown beside it). Junction Blocks are shaded to clearly separate them from other parts.

Example:



H: Indicates related system.

I: Indicates the wiring harness and wiring harness connector. The wiring harness with male terminal is shown with arrows (↔). Outside numerals are pin numbers.



J: () is used to indicate different wiring and connector, etc. when the vehicle model, engine type, or specification is different.

K: Indicates a shielded cable.



L: Indicates and located on ground point.

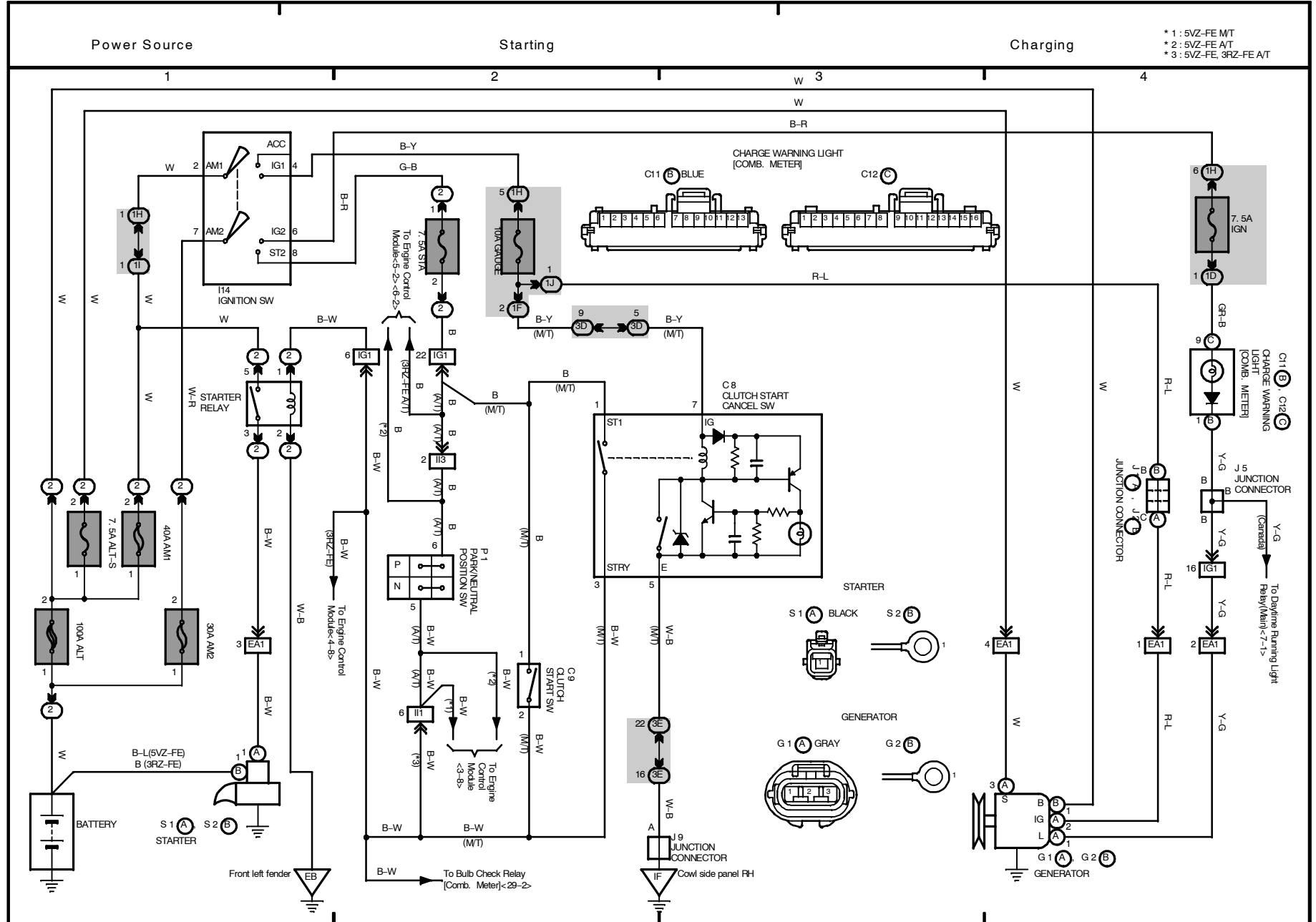
M: The same code occurring on the next page indicates that the wire harness is continuous.

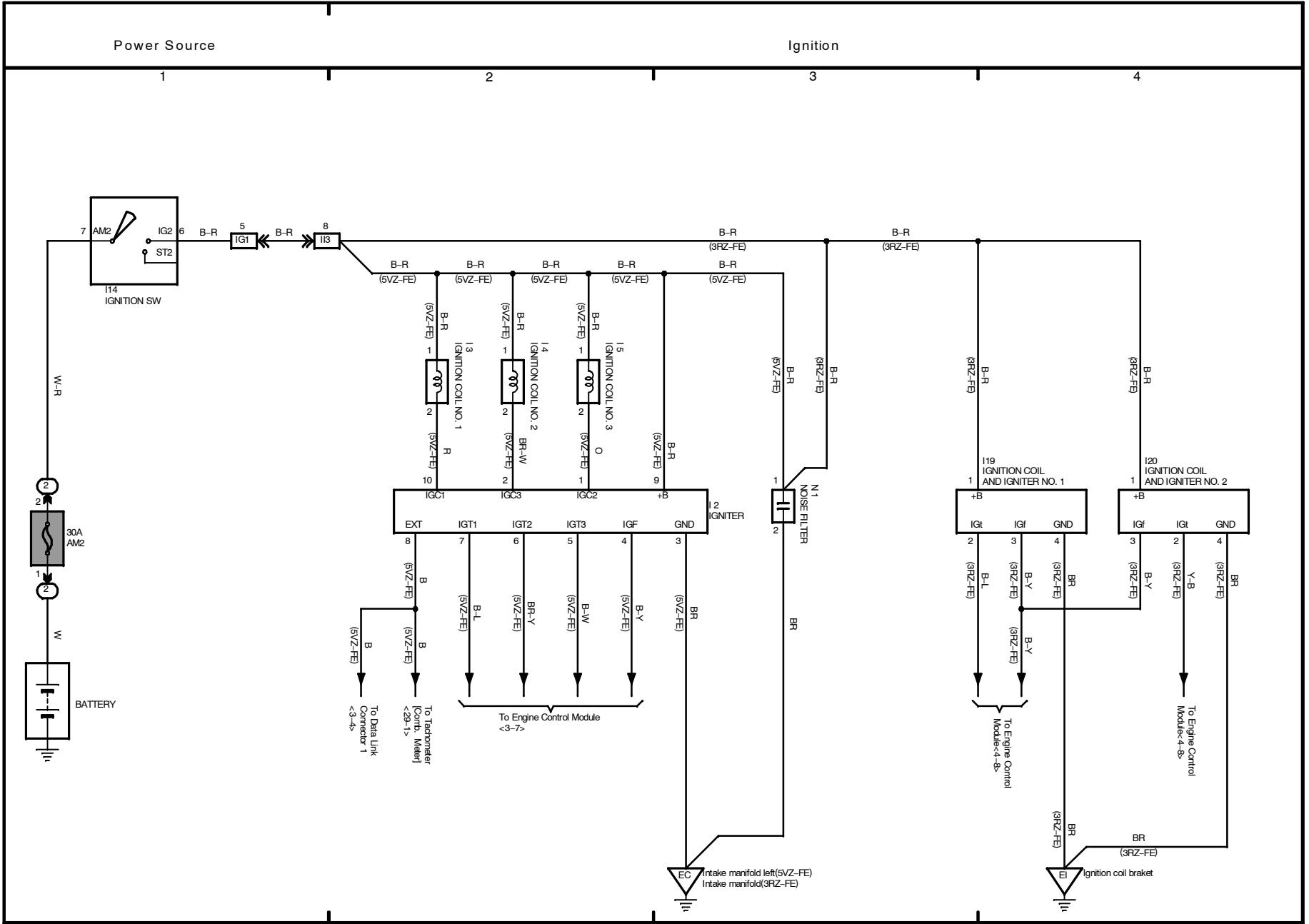
SYSTEM INDEX

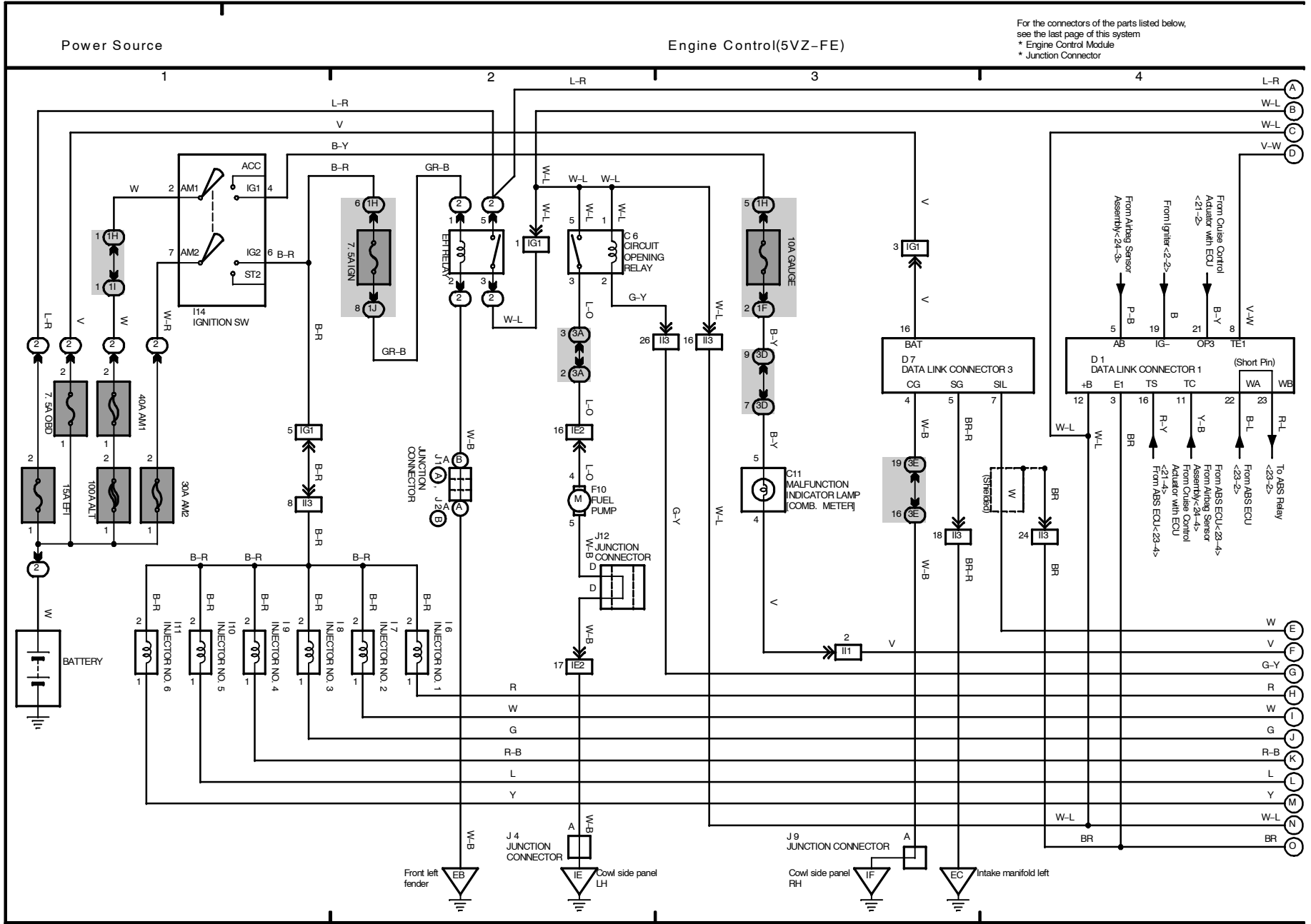
1998 Model (Location No. 1 to 30)

SYSTEMS	LOCATION	SYSTEMS	LOCATION	SYSTEMS	LOCATION
ABS	23-2	Headlight	7-2 (Canada) 8-2 (USA)	Radio and Player	28-3
Air Conditioning	30-2	Horn	11-4	Rear Differential Lock	27-2
Auto Antenna	28-2	Ignition	2-2	Rear Heater	30-4
Back Door Lock Control (w/o Door Lock Control)	14-2	Illumination	10-2	Rear Window Defogger	19-2
Back-Up Light	9-3	Interior Light	12-2	Remote Control Mirror	16-2
Charging	1-3	Key Reminder and Seat Belt Warning	18-2	Shift Lock	18-3
Cigarette Lighter and Clock	18-4	Light Reminder Buzzer	20-2	SRS	24-2
Combination Meter	29-2	Moon Roof	20-3	Starting	1-2
Cruise Control	21-2 (5VZ-FE) 22-2 (3RZ-FE)	Power Outlet	24-4	Stop Light	8-3
Door Lock Control	13-2	Power Seat	17-2	Taillight	9-2
Electronically Controlled Transmission and A/T Indicator	5-2 (5VZ-FE) 6-2 (3RZ-FE)	Power Source	1-30-1	Turn Signal and Hazard Warning Light	11-2
Engine Control	3-2 (5VZ-FE) 4-2 (3RZ-FE)	Power Window	15-2	4WD	
Front Wiper and Washer	19-3	Power Window (Rear), Rear Wiper and Washer	14-3		25-2 (w/ 2-4 Select SW) 26-2 (w/o 2-4 Select SW)

1 4RUNNER ELECTRICAL WIRING DIAGRAM

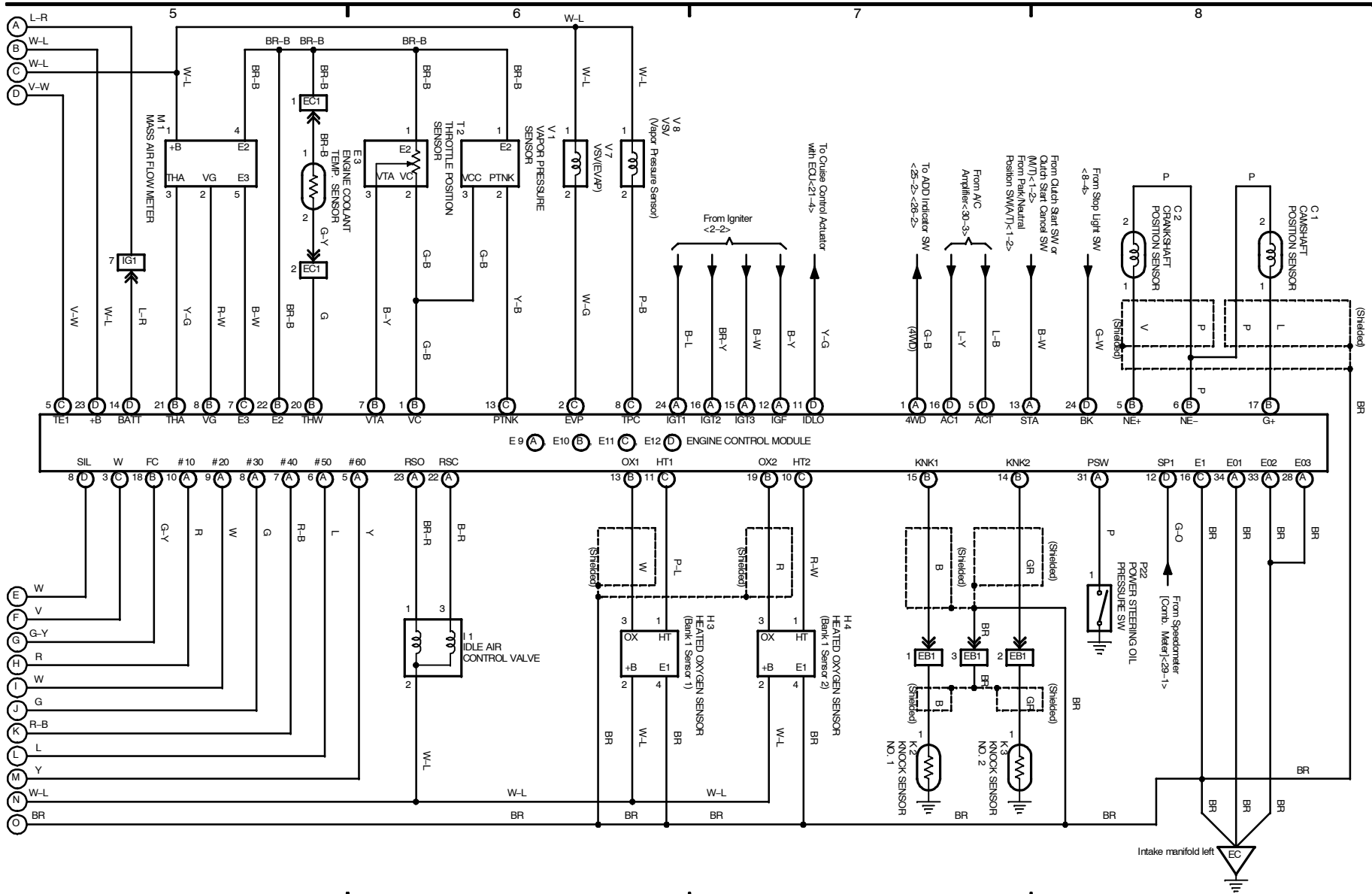






Engine Control(5VZ-FE)

For the connectors of the parts listed below, see the last page of this system.
 *Engine Control Module
 *Junction Connector



Engine Control(5VZ-FE)

9

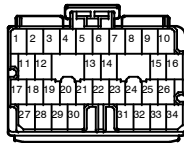
10

11

12

ENGINE CONTROL MODULE

E9 (A)



E10 (B)



E11 (C)



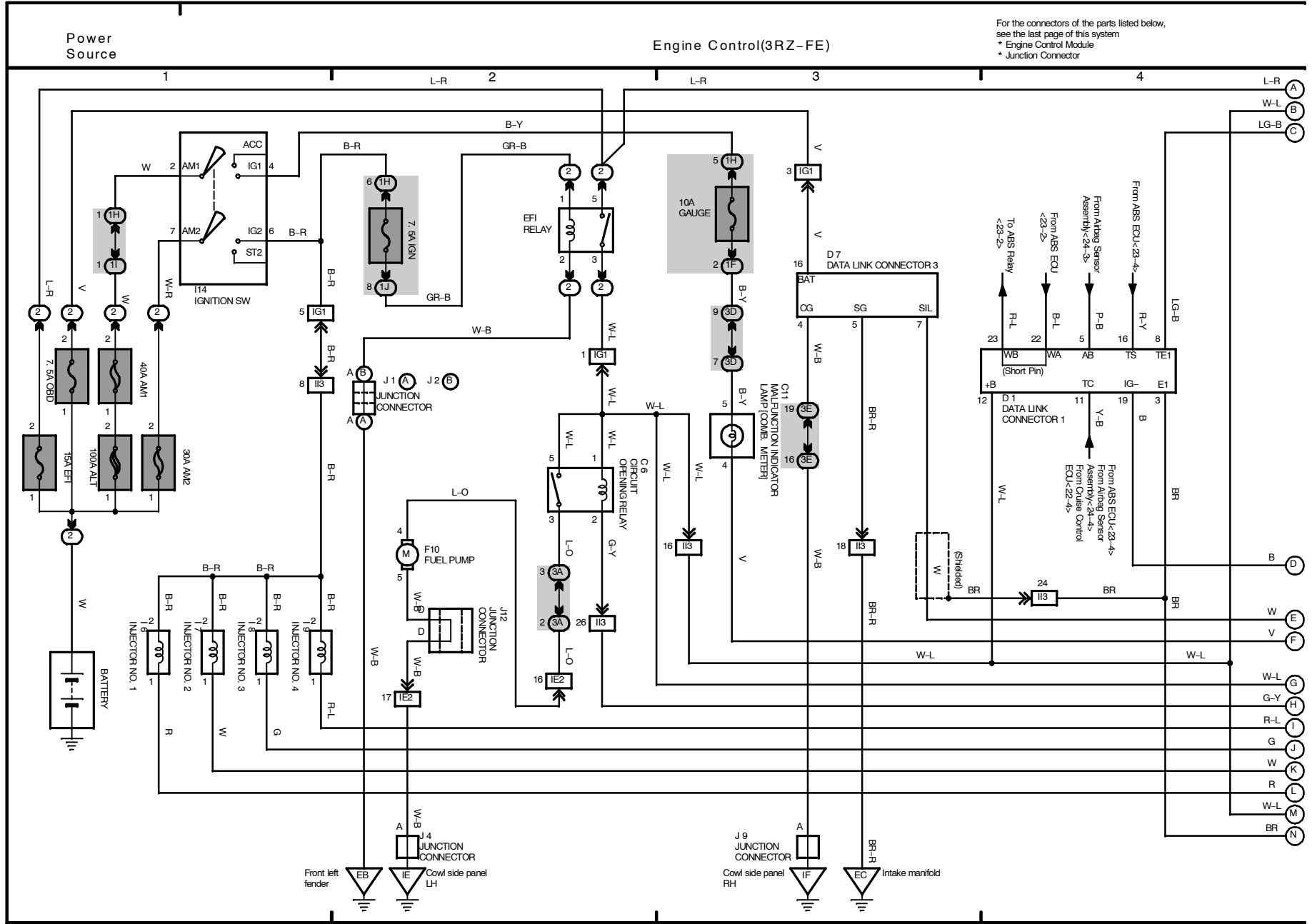
E12 (D)



JUNCTION CONNECTOR

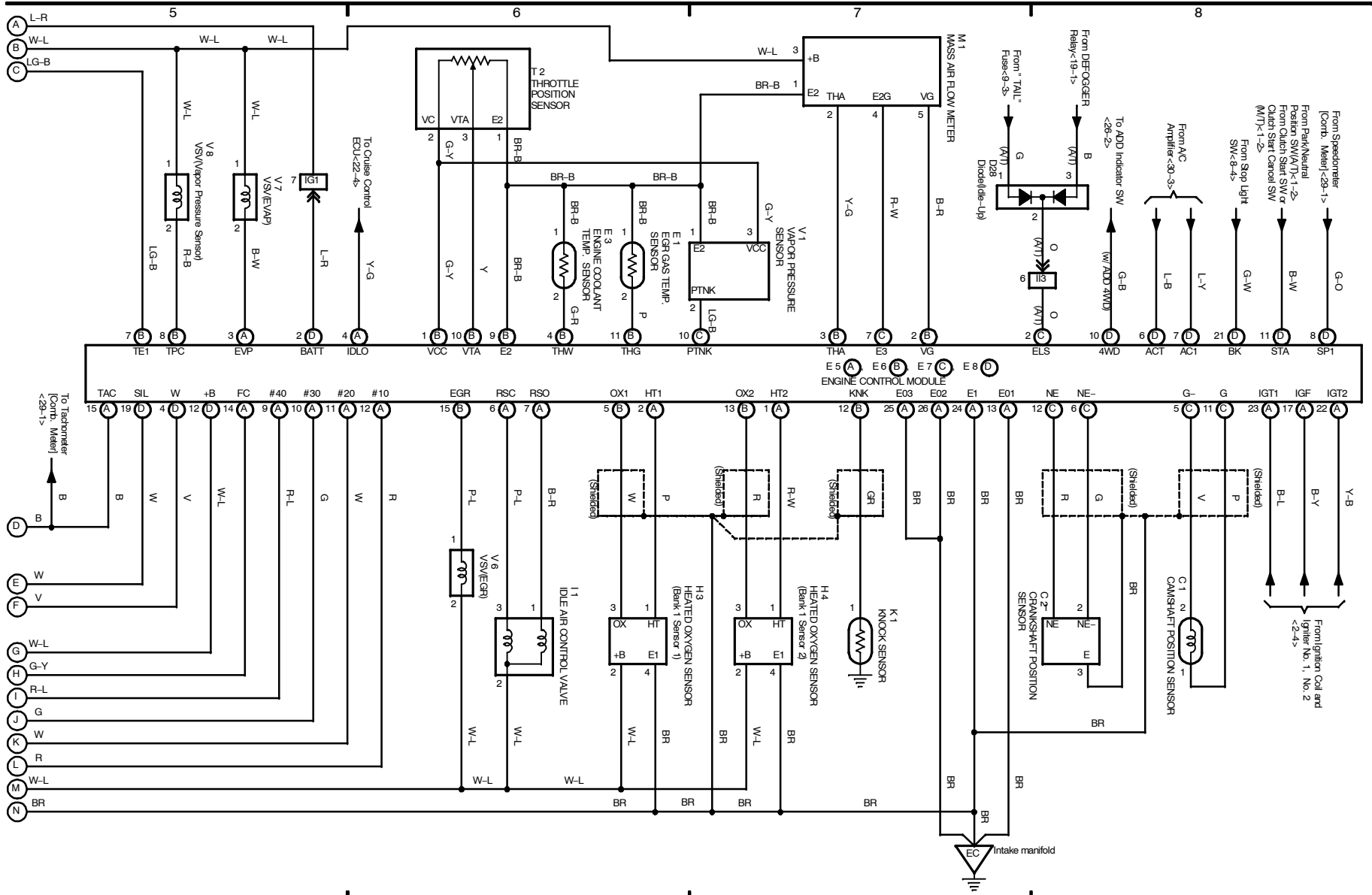
J 1 (A) J 2 (B) GRAY





Engine Control(3RZ-FE)

For the connectors of the parts listed below,
see the last page of this system.
*Engine Control Module
*Junction Connector



Engine Control(3RZ-FE)

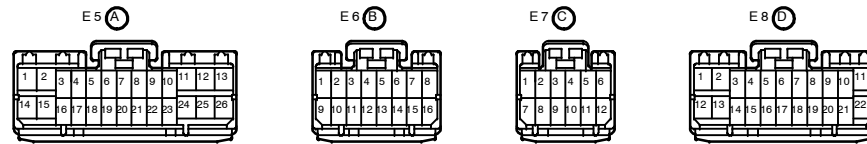
9

10

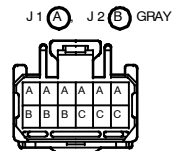
11

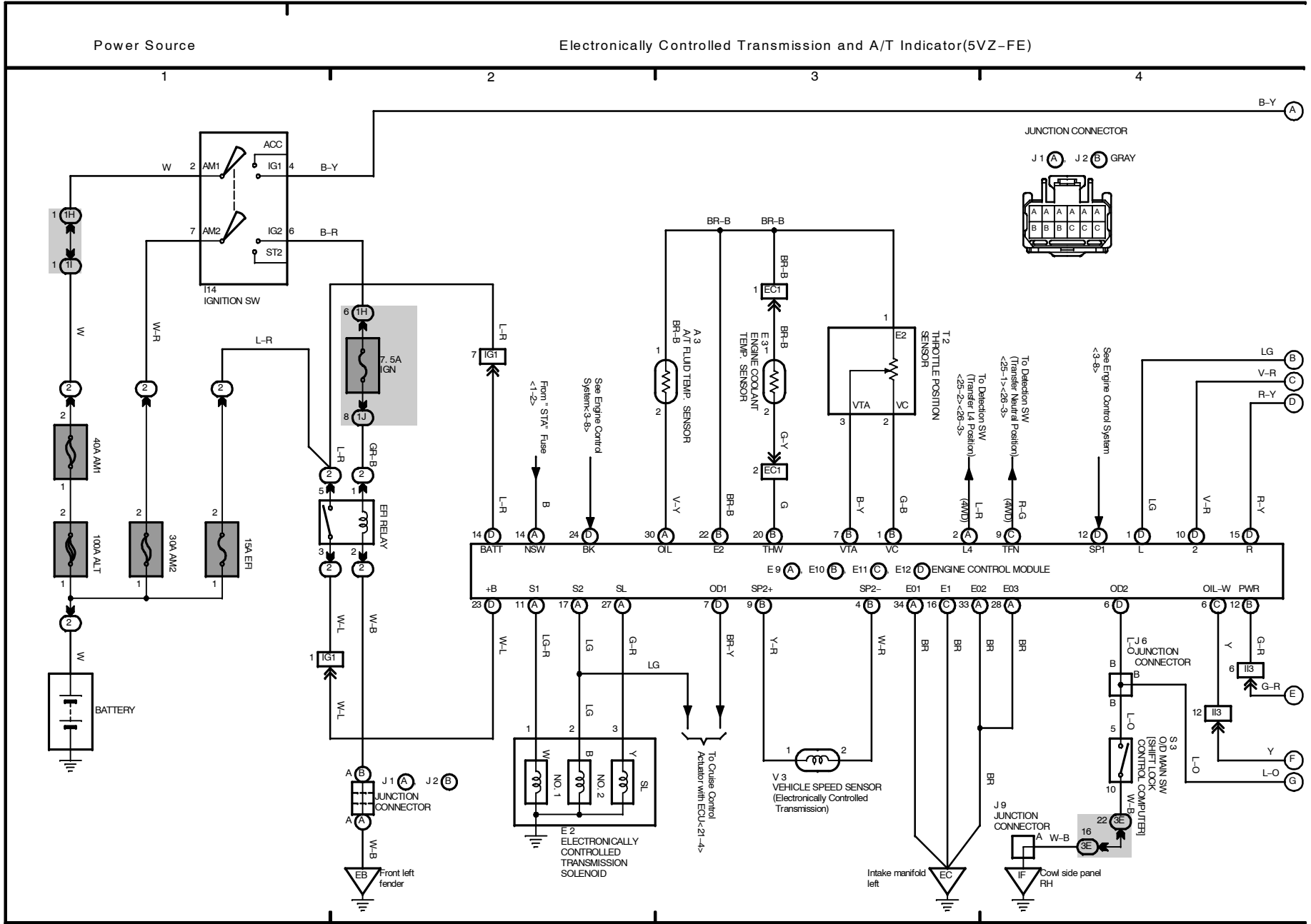
12

ENGINE CONTROL MODULE



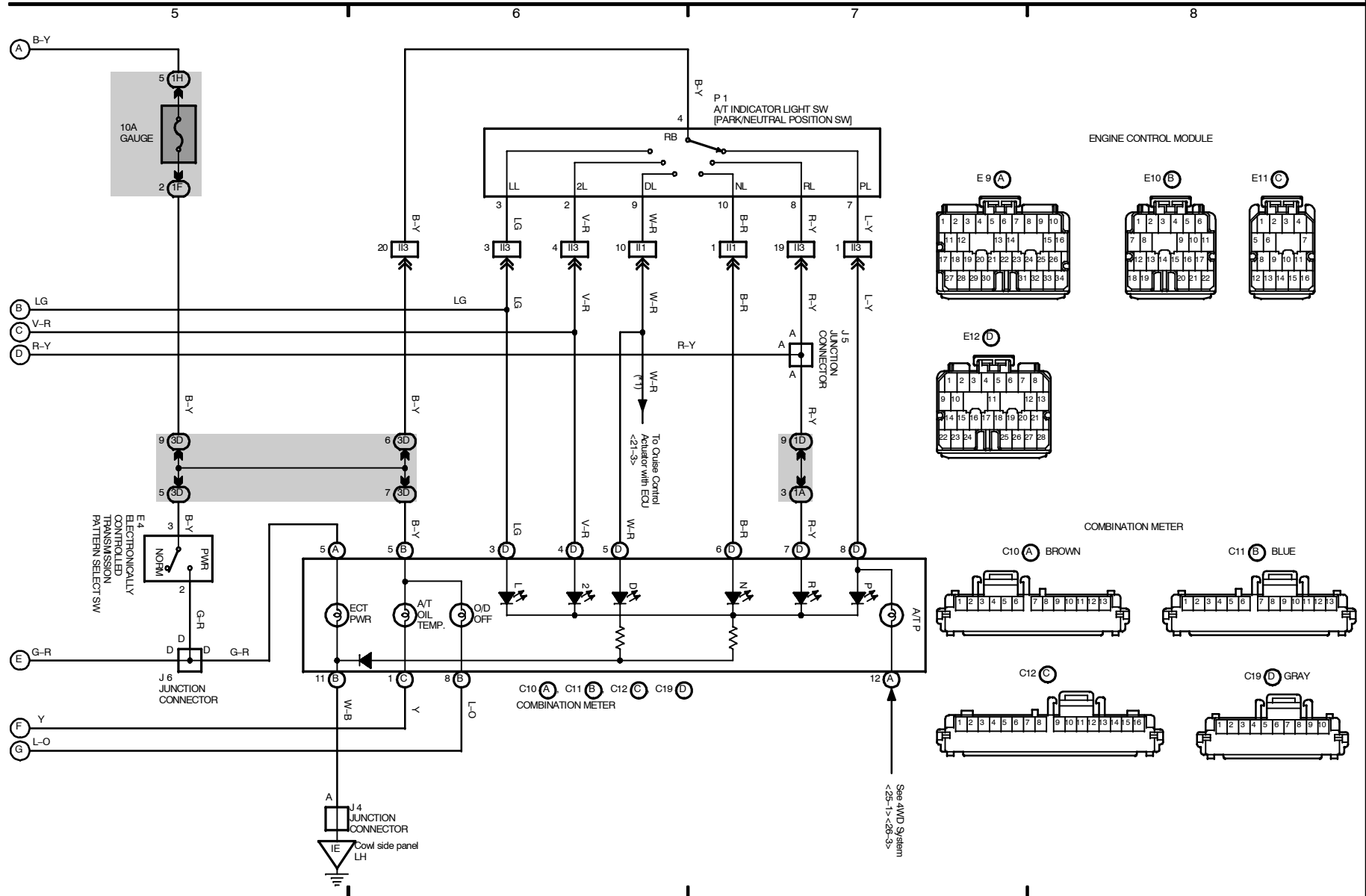
JUNCTION CONNECTOR

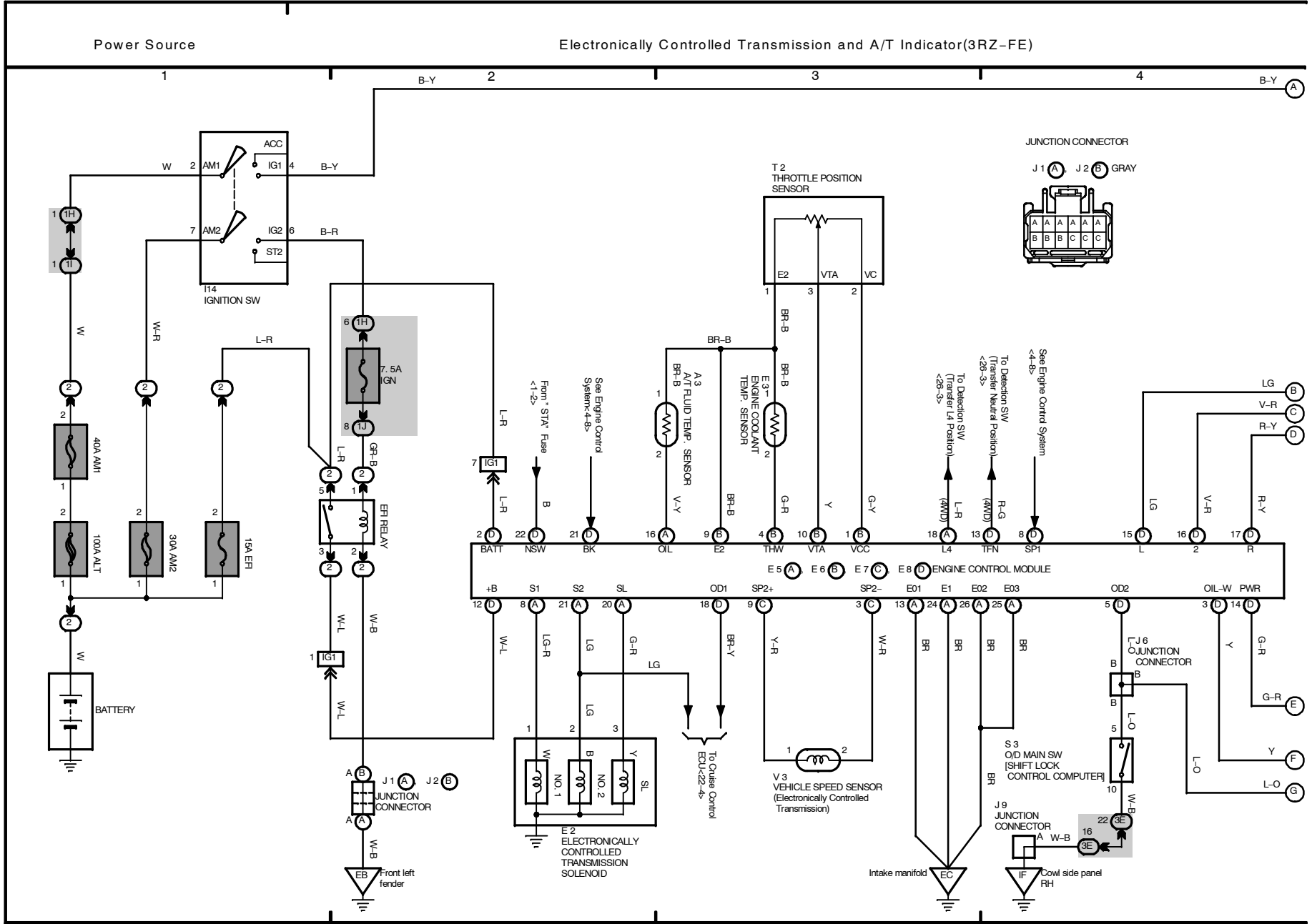




Electronically Controlled Transmission and A/T Indicator(5VZ-FE)

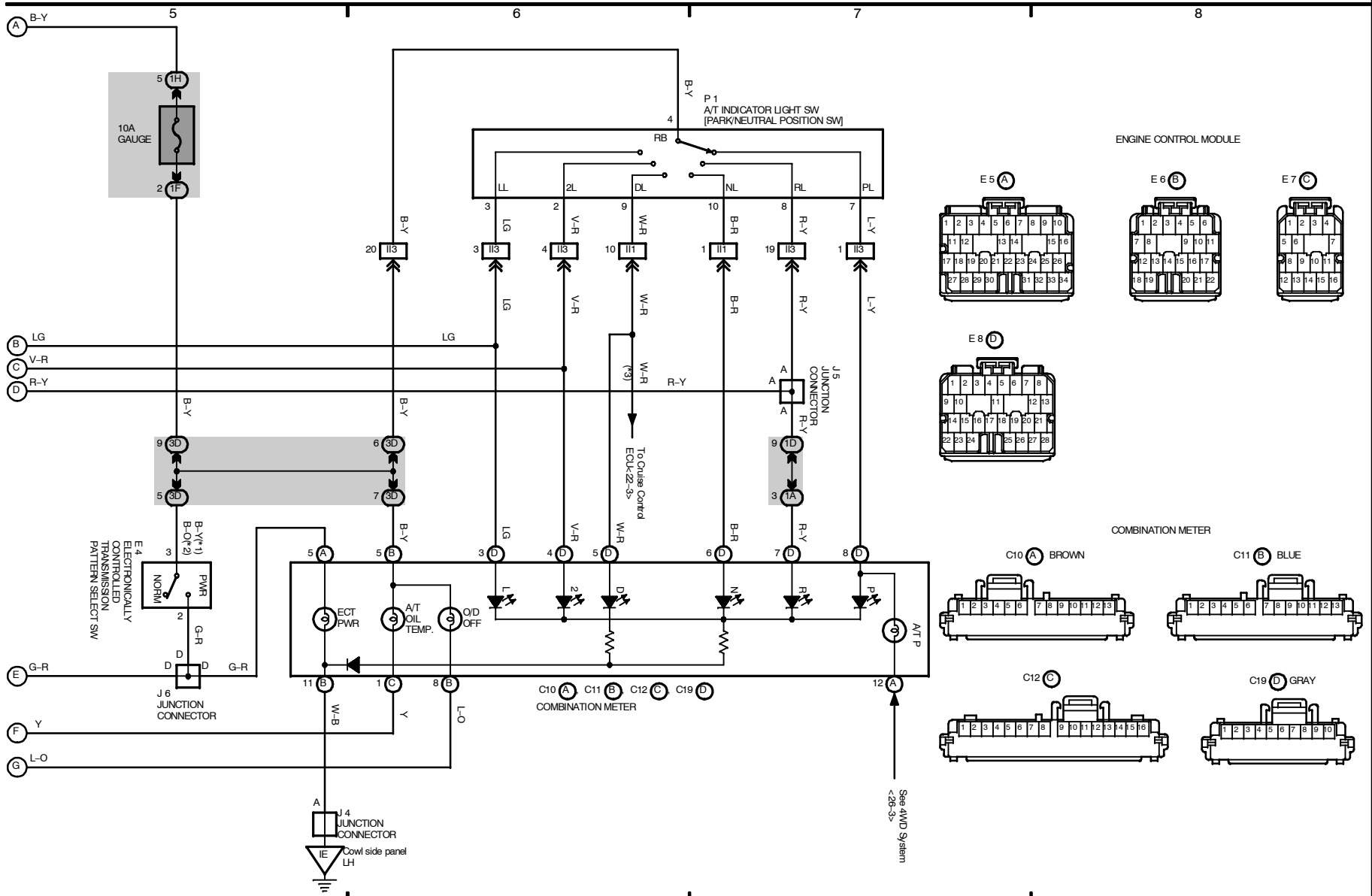
* 1 : w/ Cruise Control

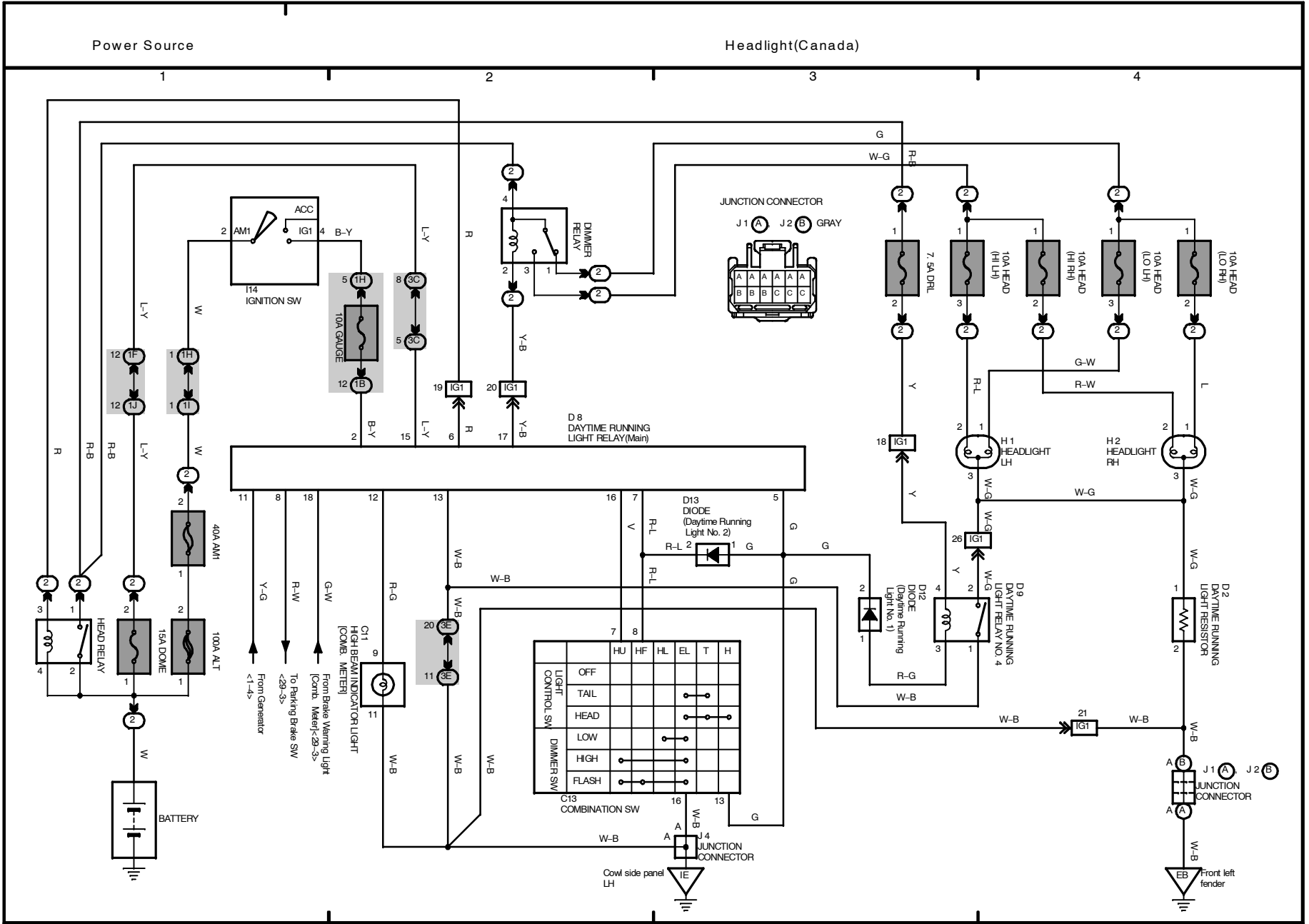


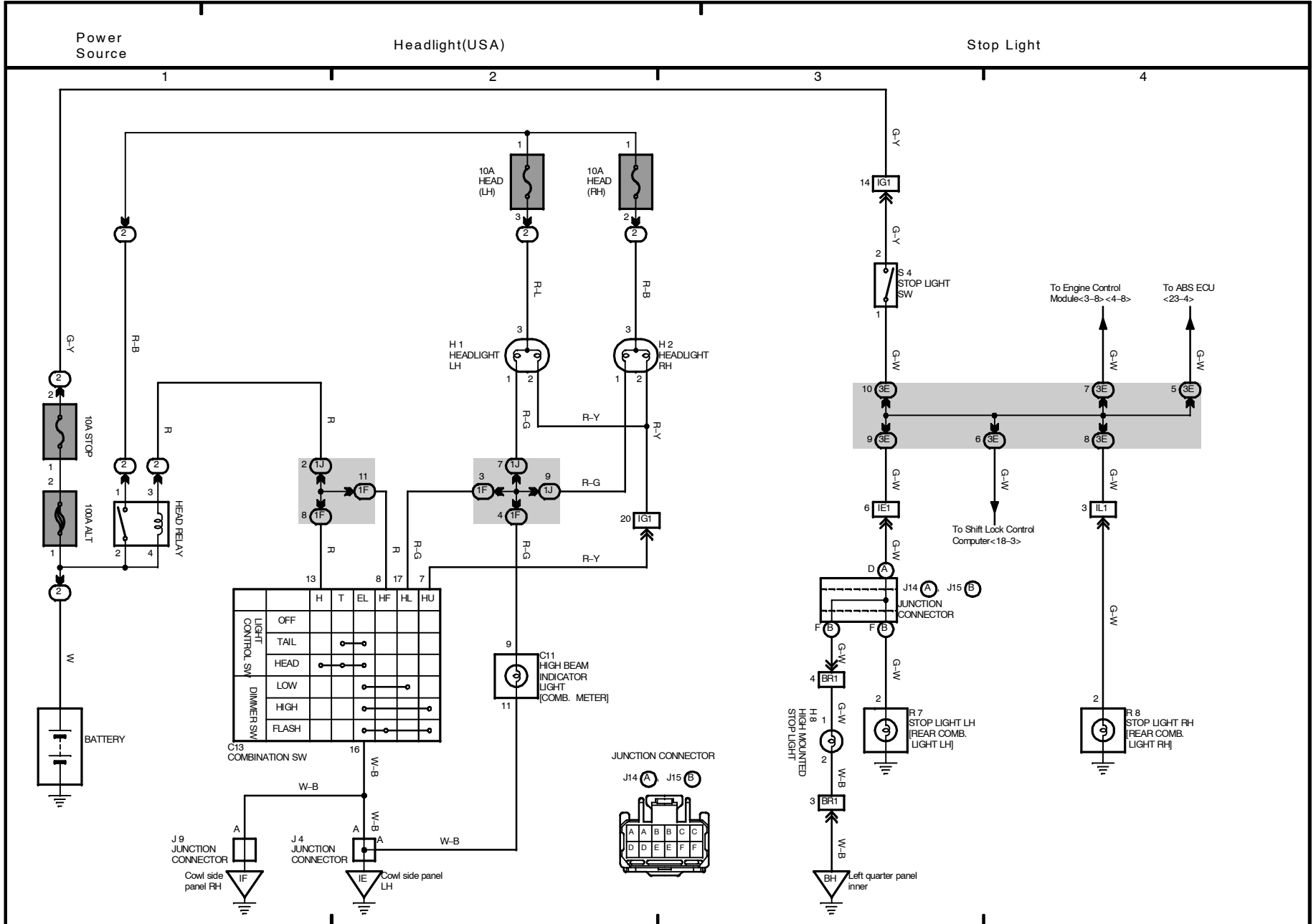


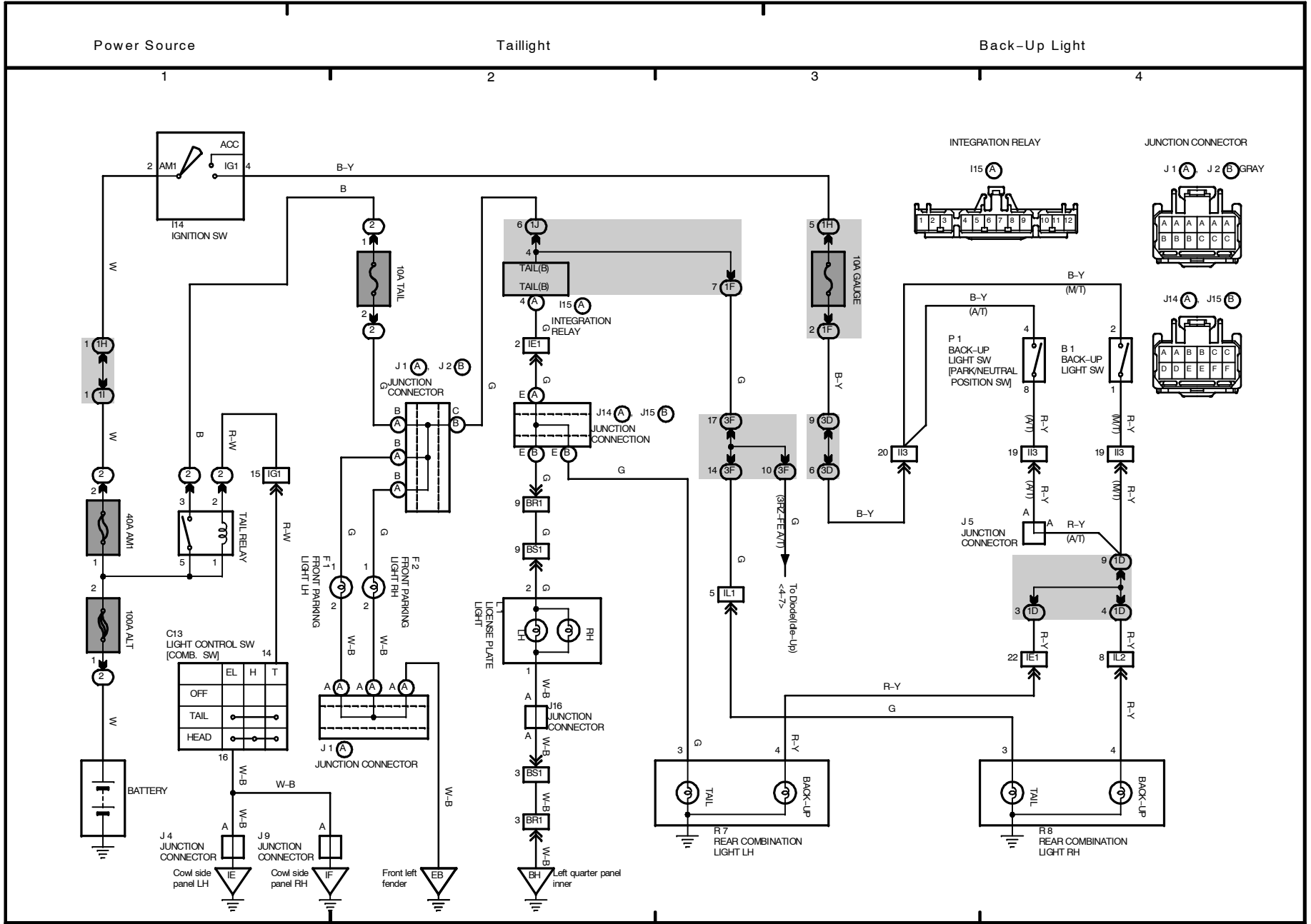
Electronically Controlled Transmission and A/T Indicator(3RZ-FE)

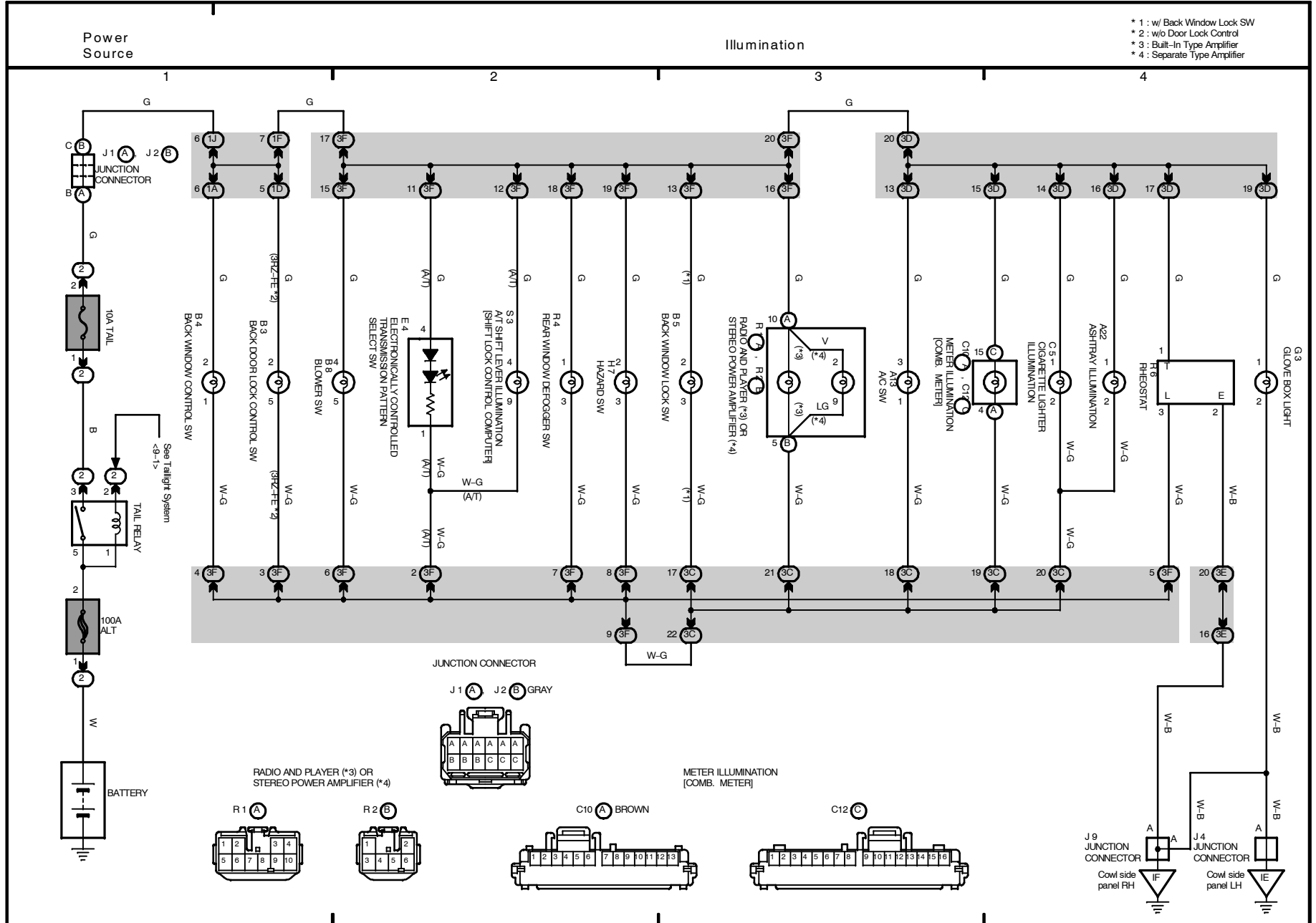
* 1: USA
 * 2: Canada
 * 3: w/ Cruise Control

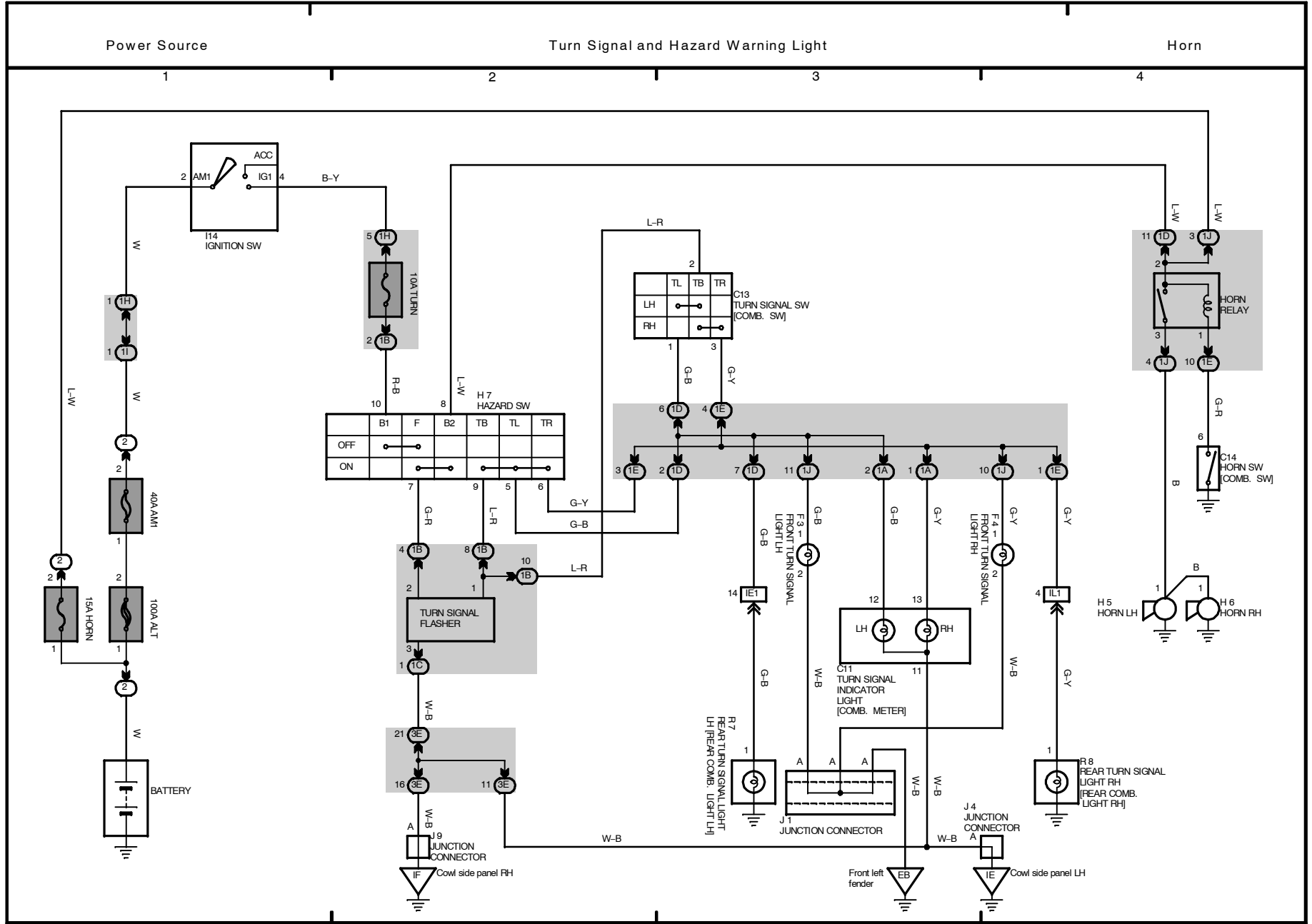


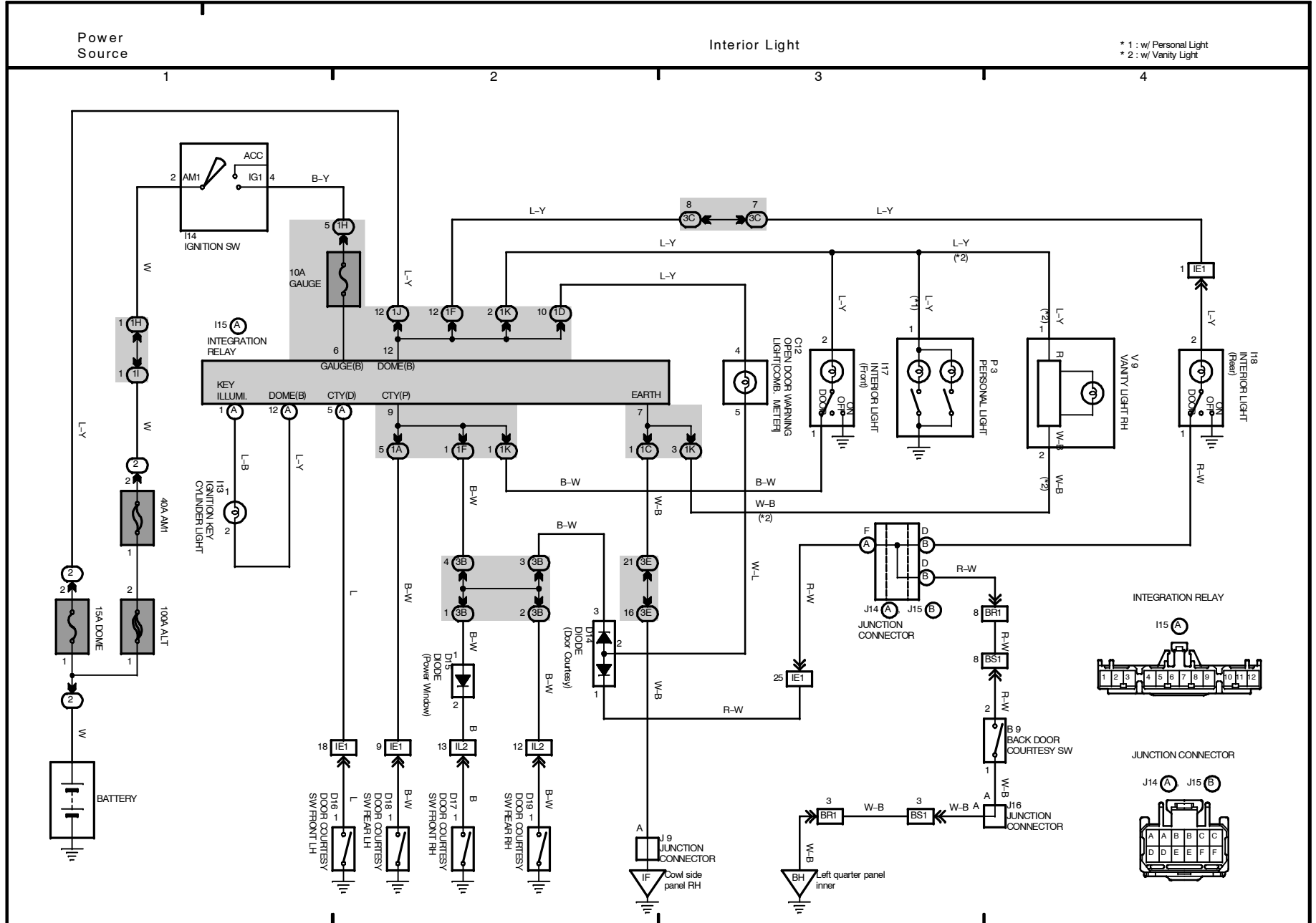


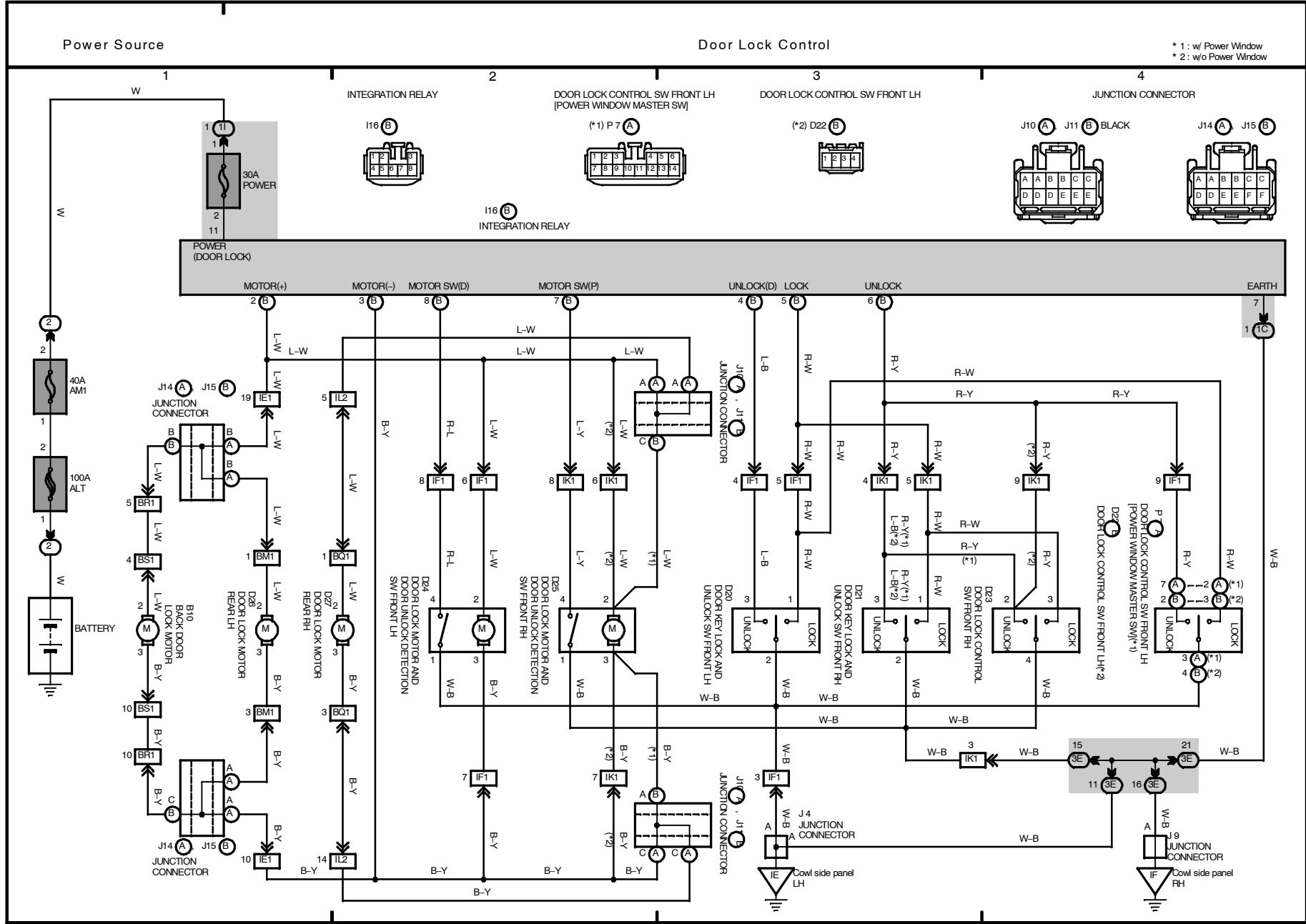


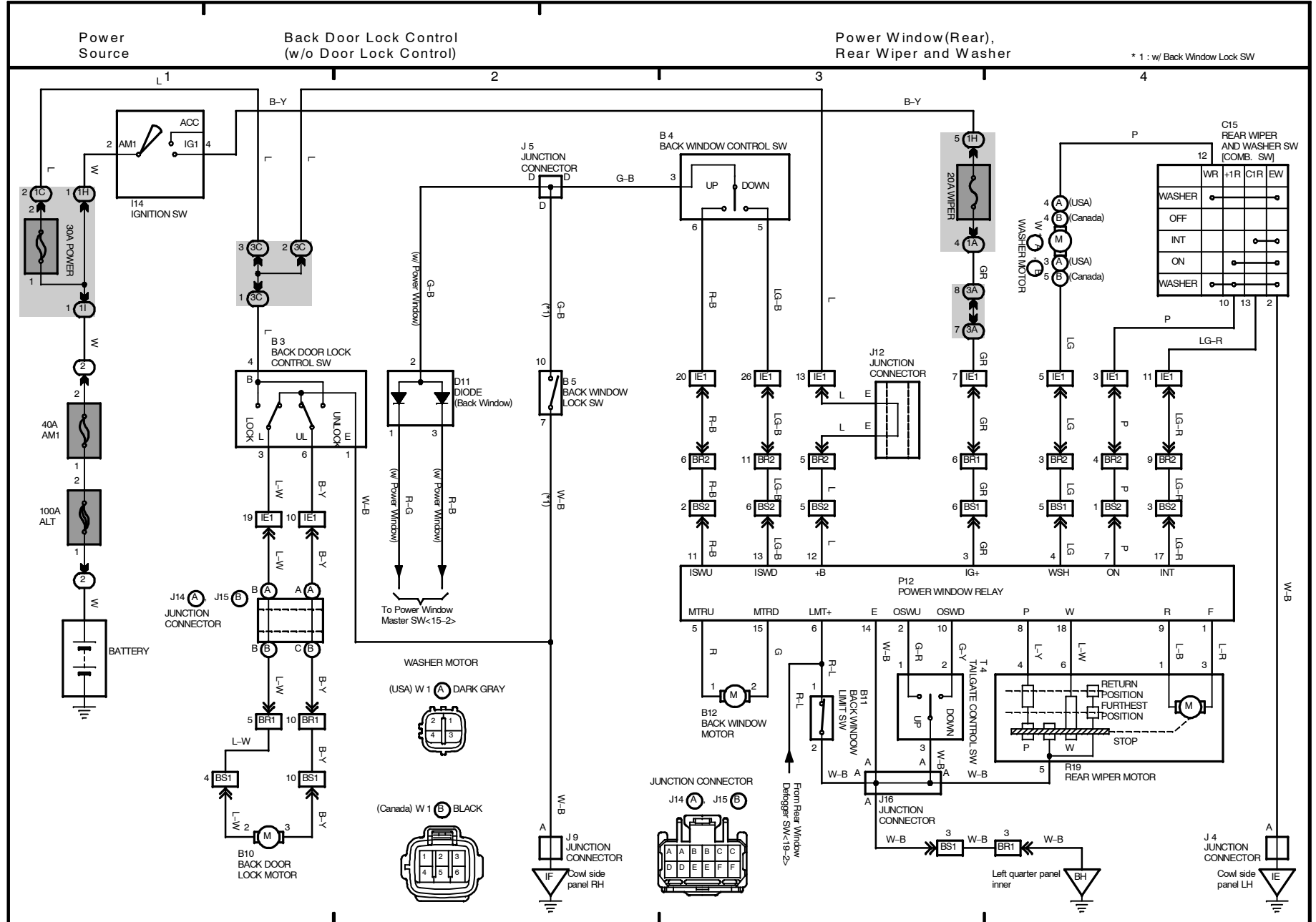


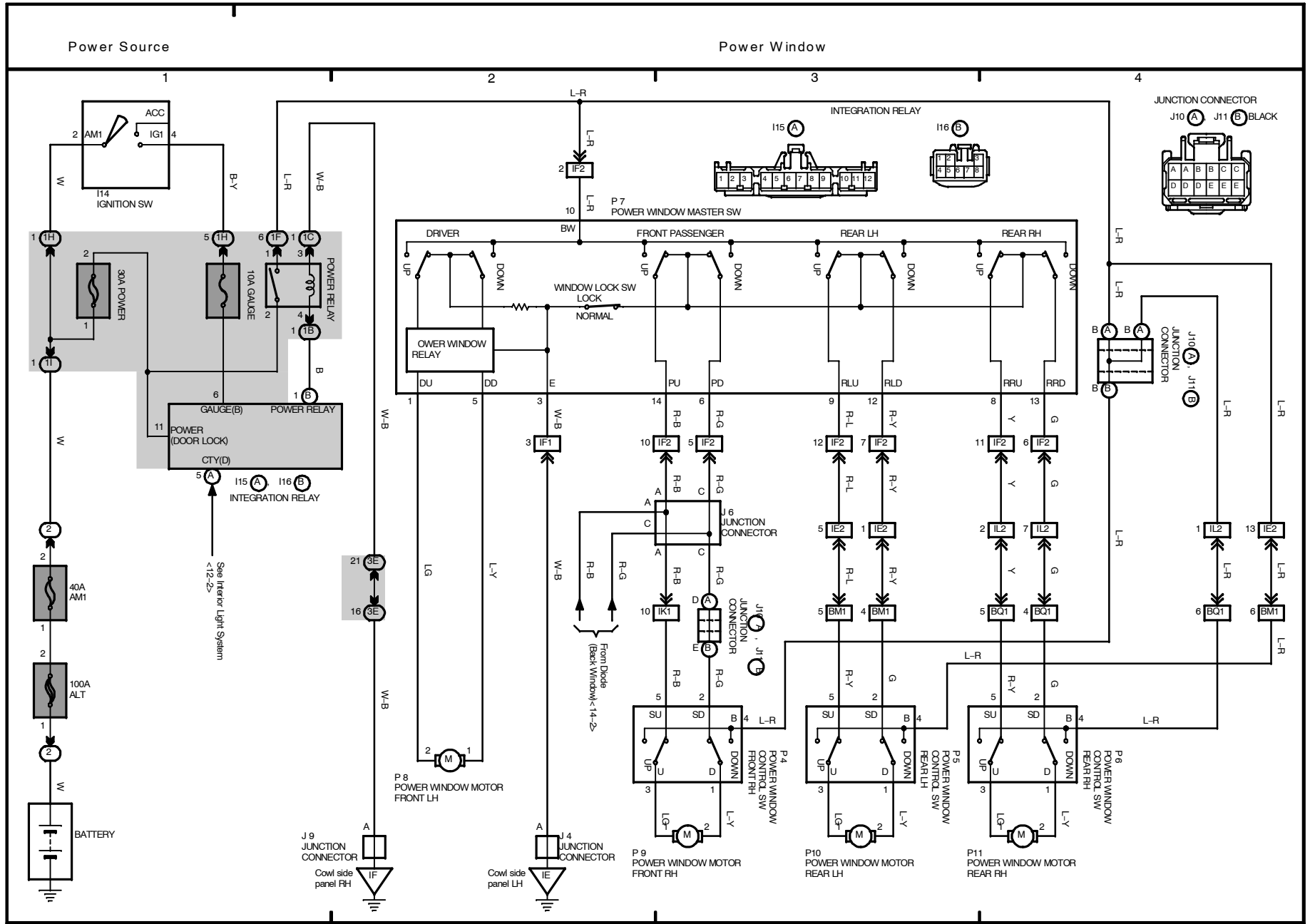


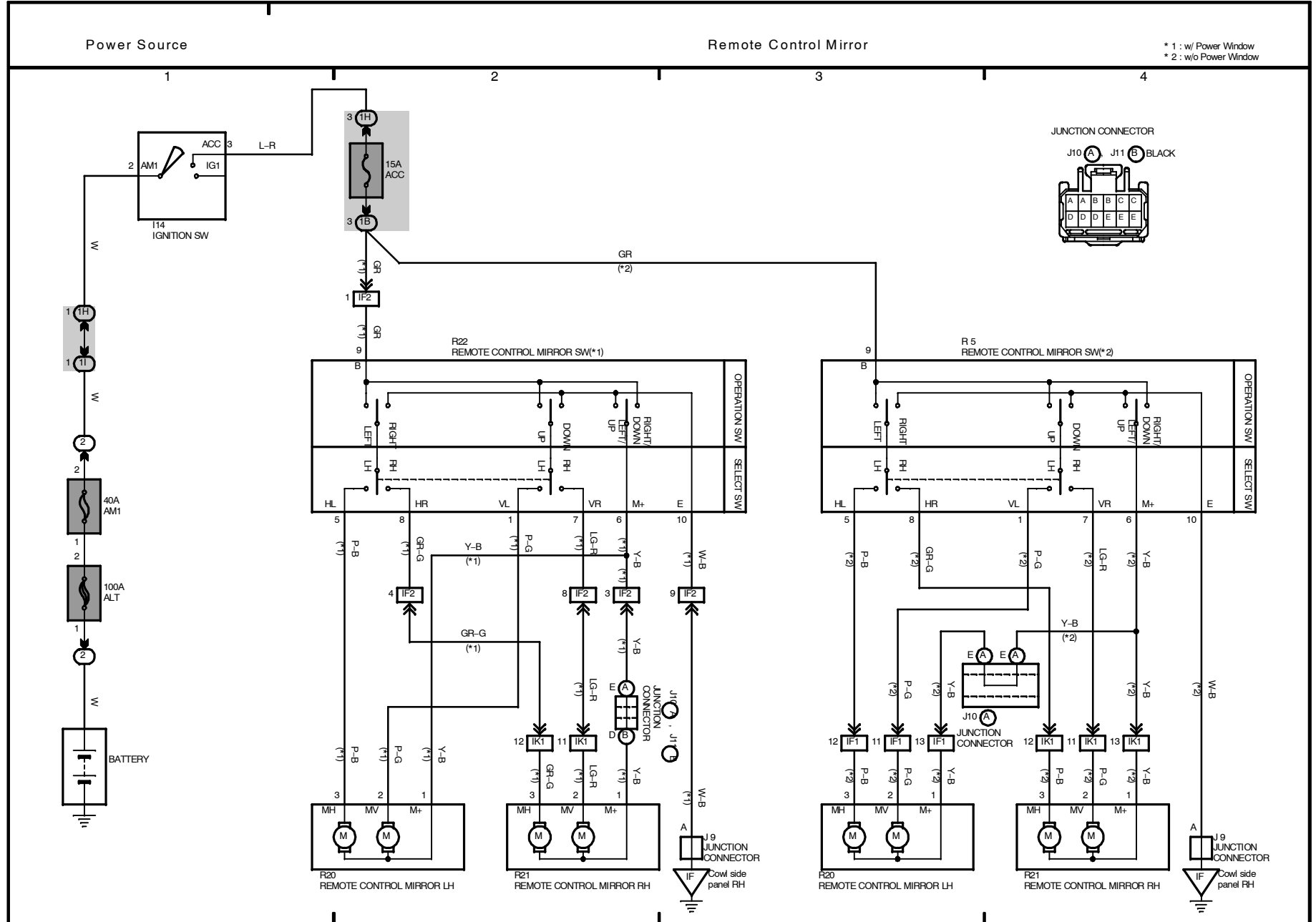


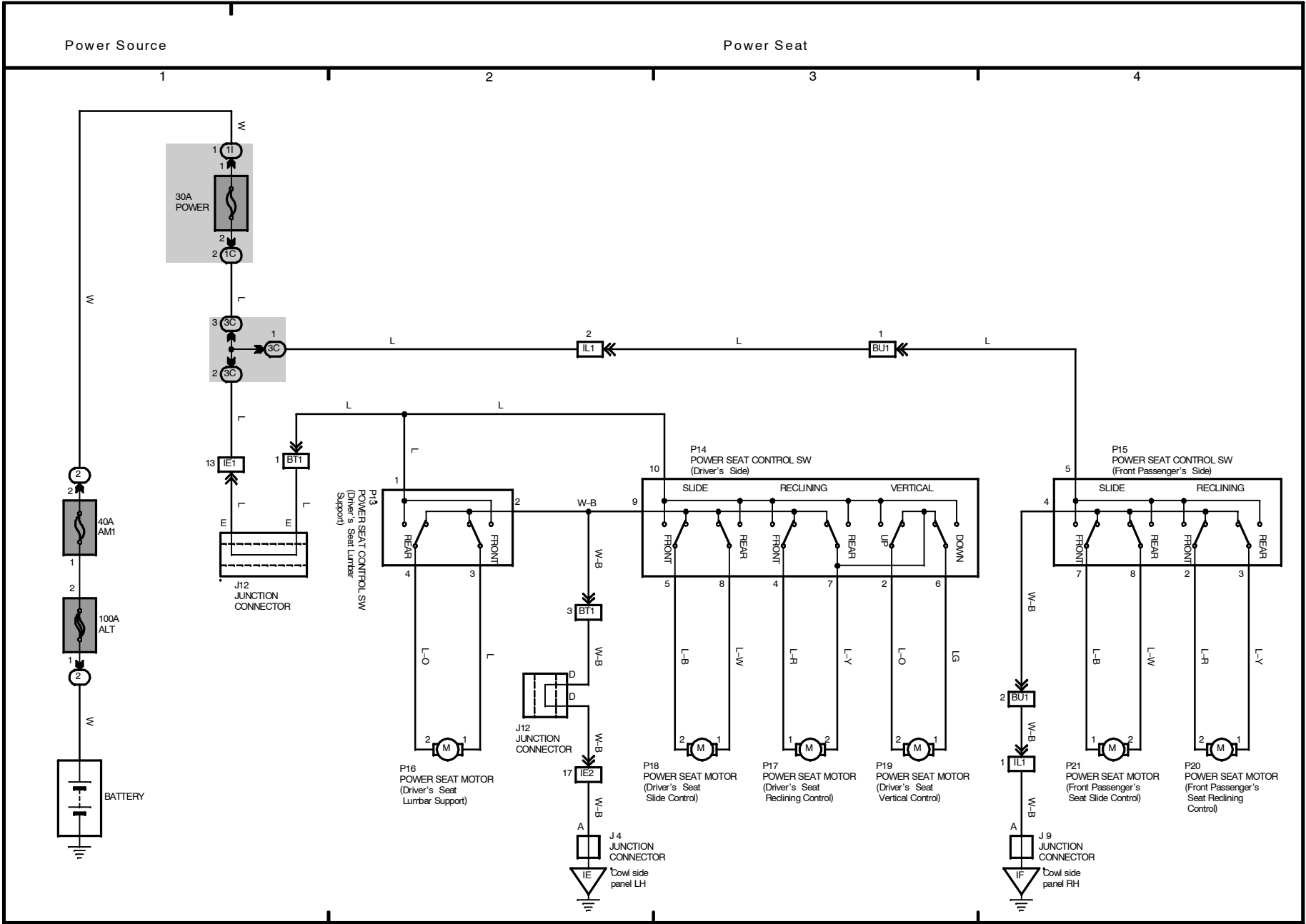


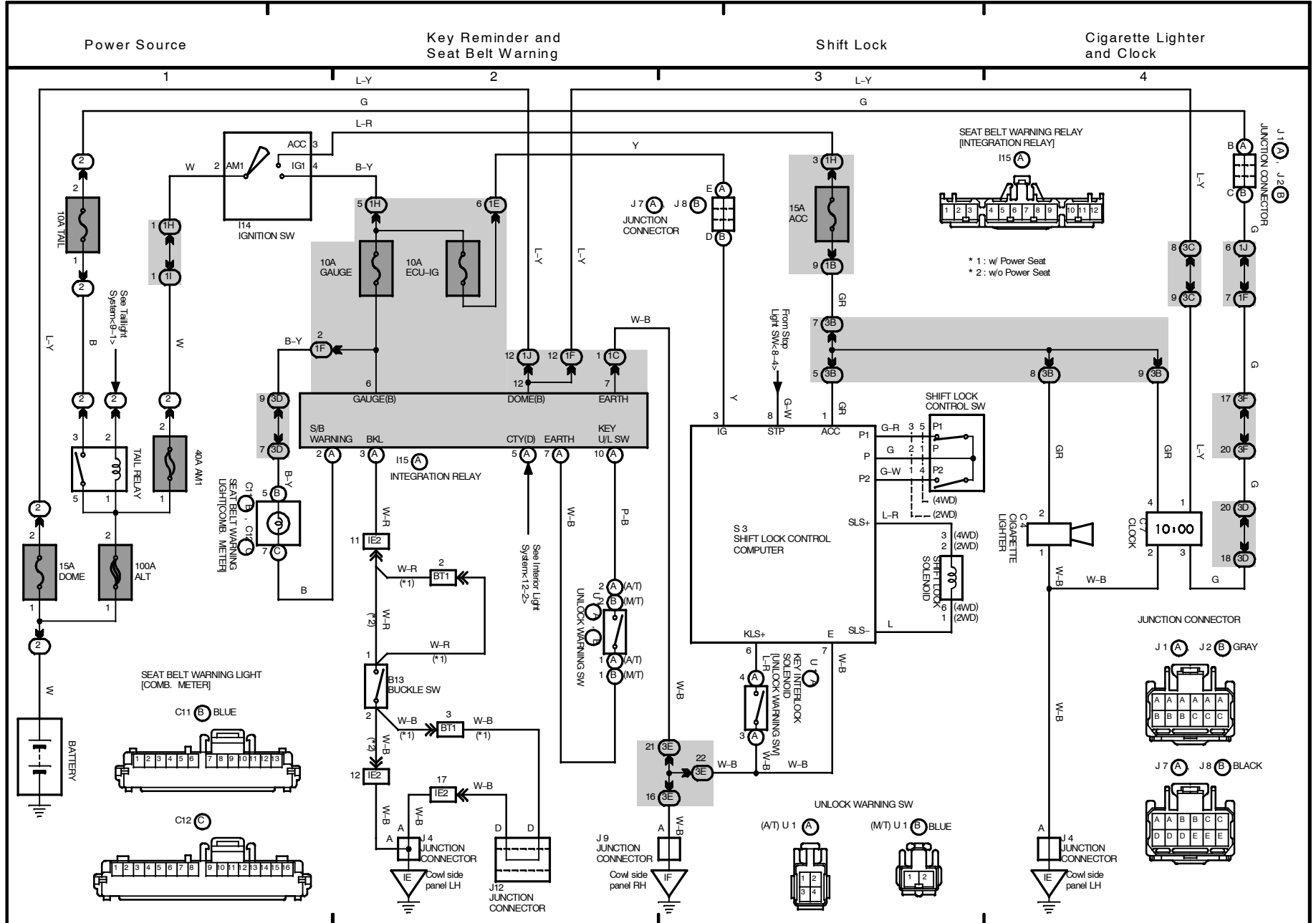


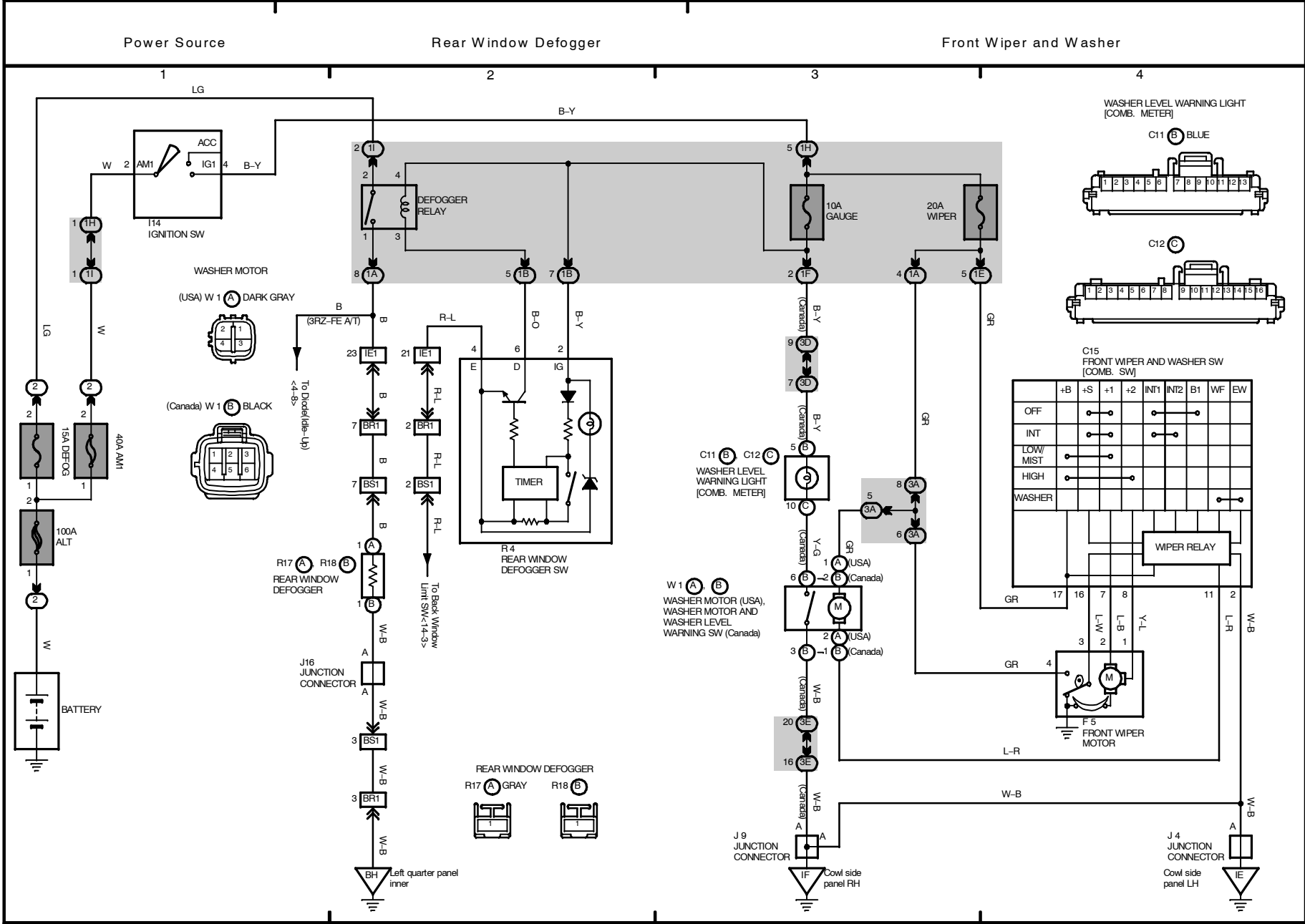


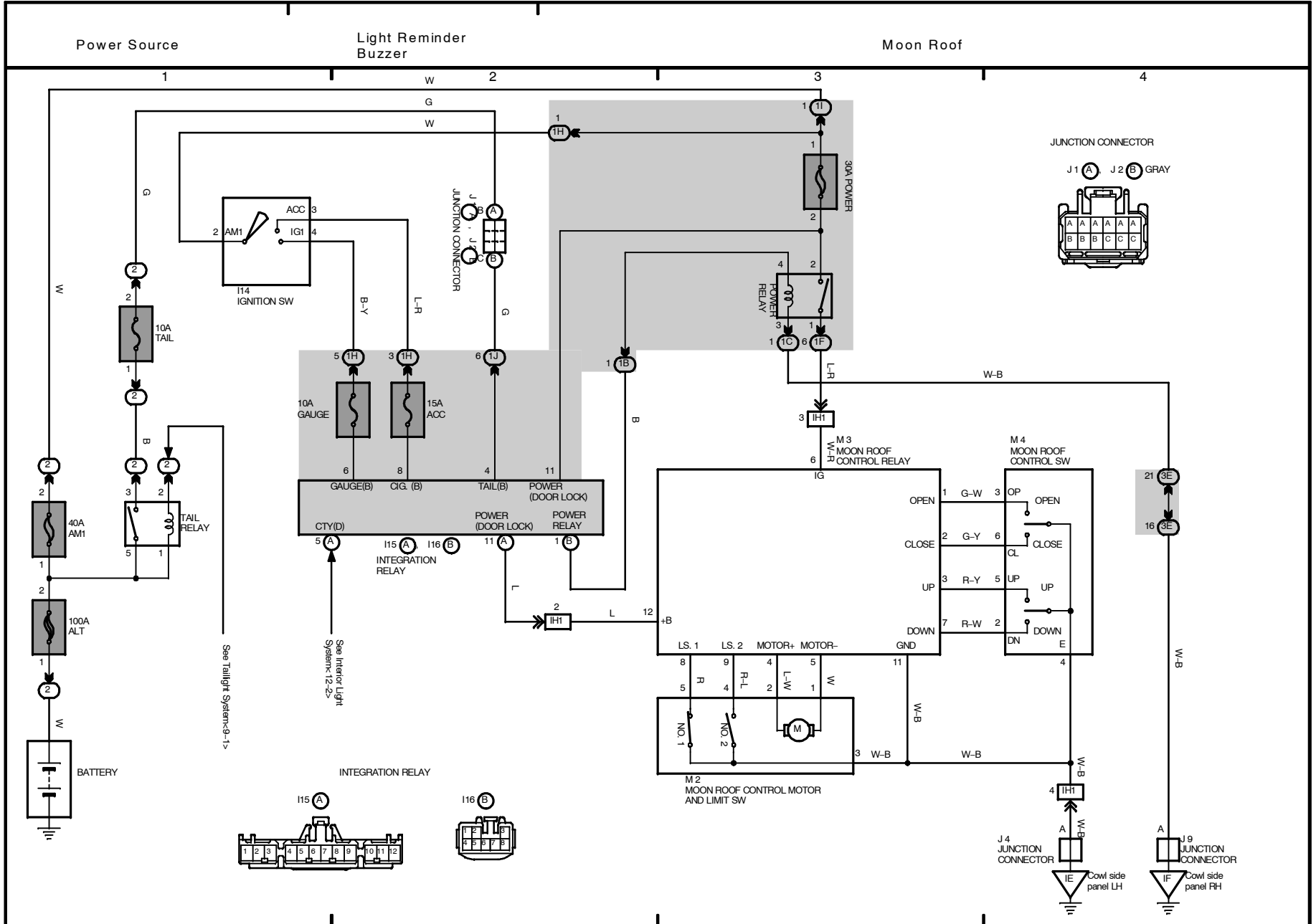


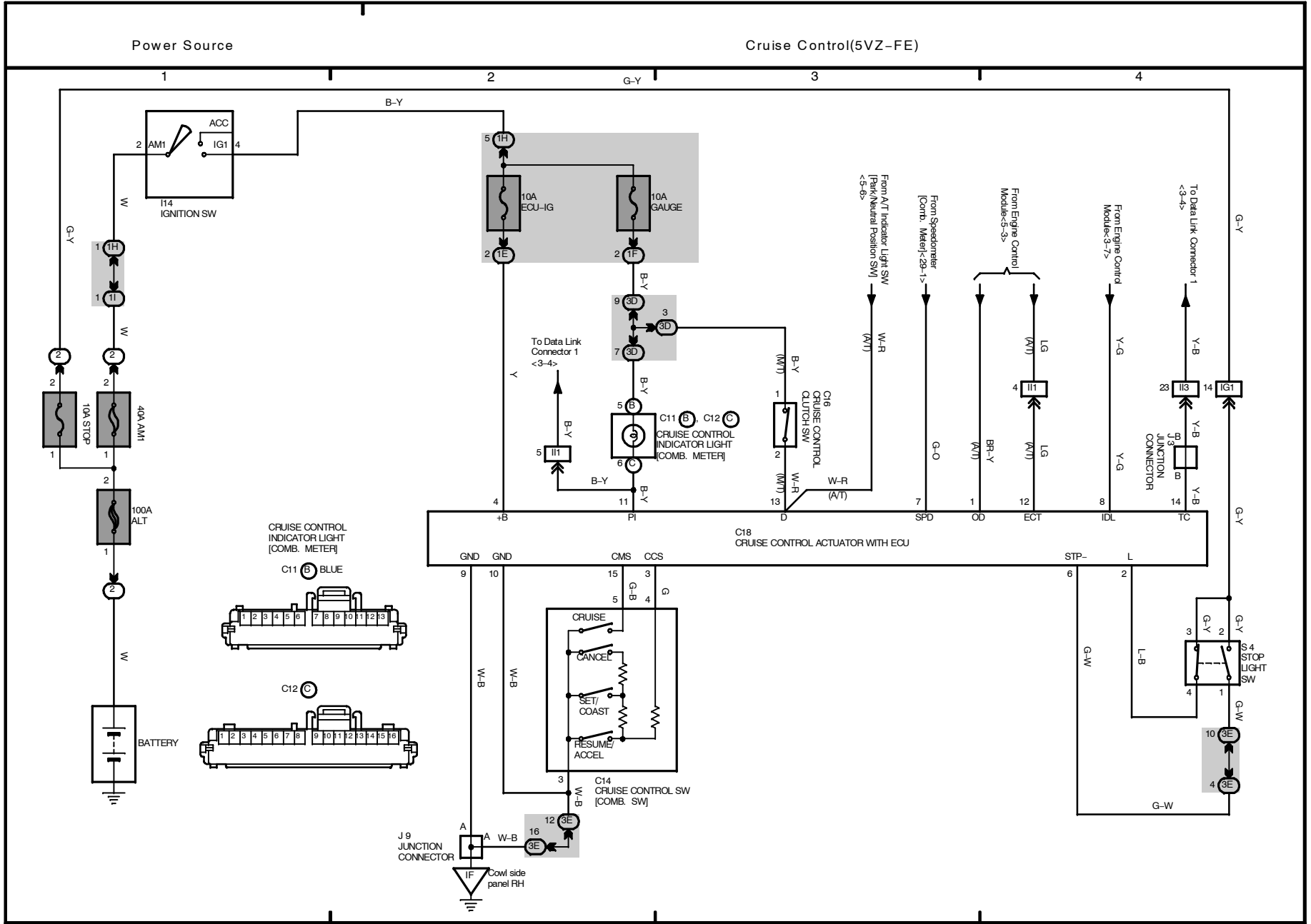


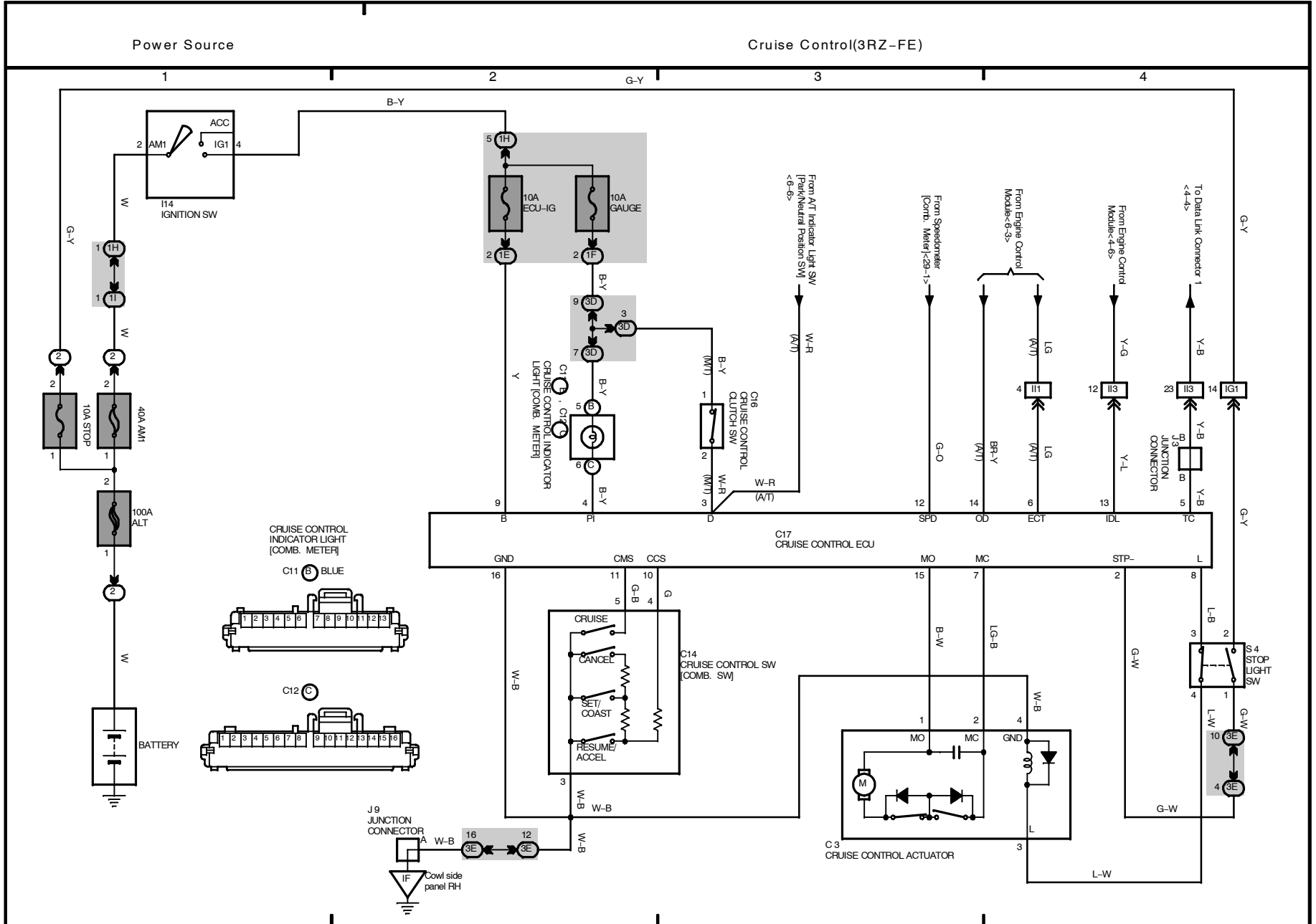


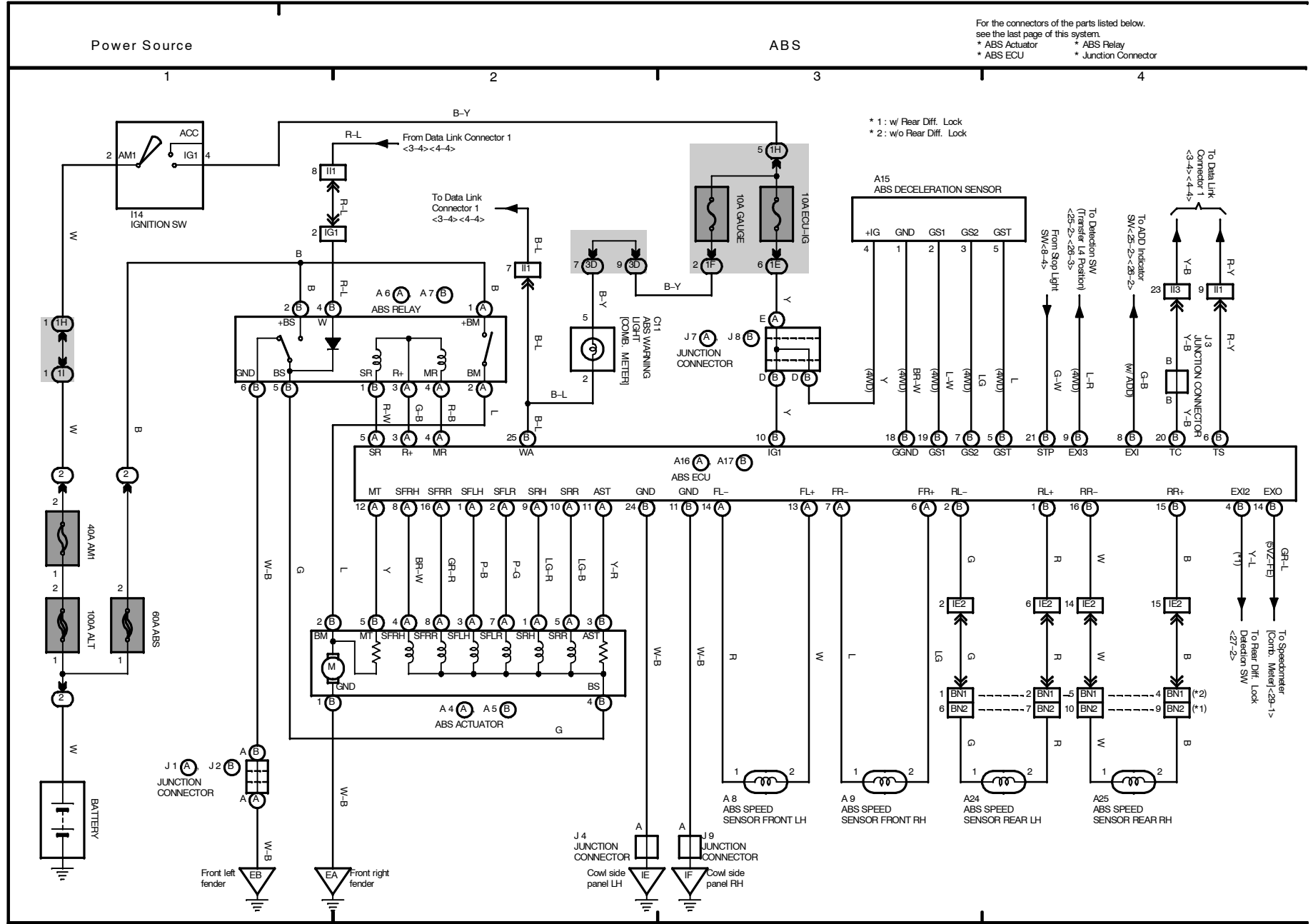












ABS

5

6

7

8

ABS ACTUATOR

A 4 (A) GRAY



A 5 (B) BLACK



ABS RELAY

A 6 (A) GRAY

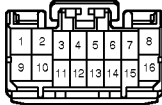


A 7 (B) GRAY

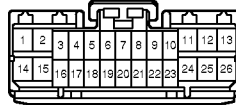


ABS ECU

A16 (A)

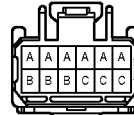


A17 (B)



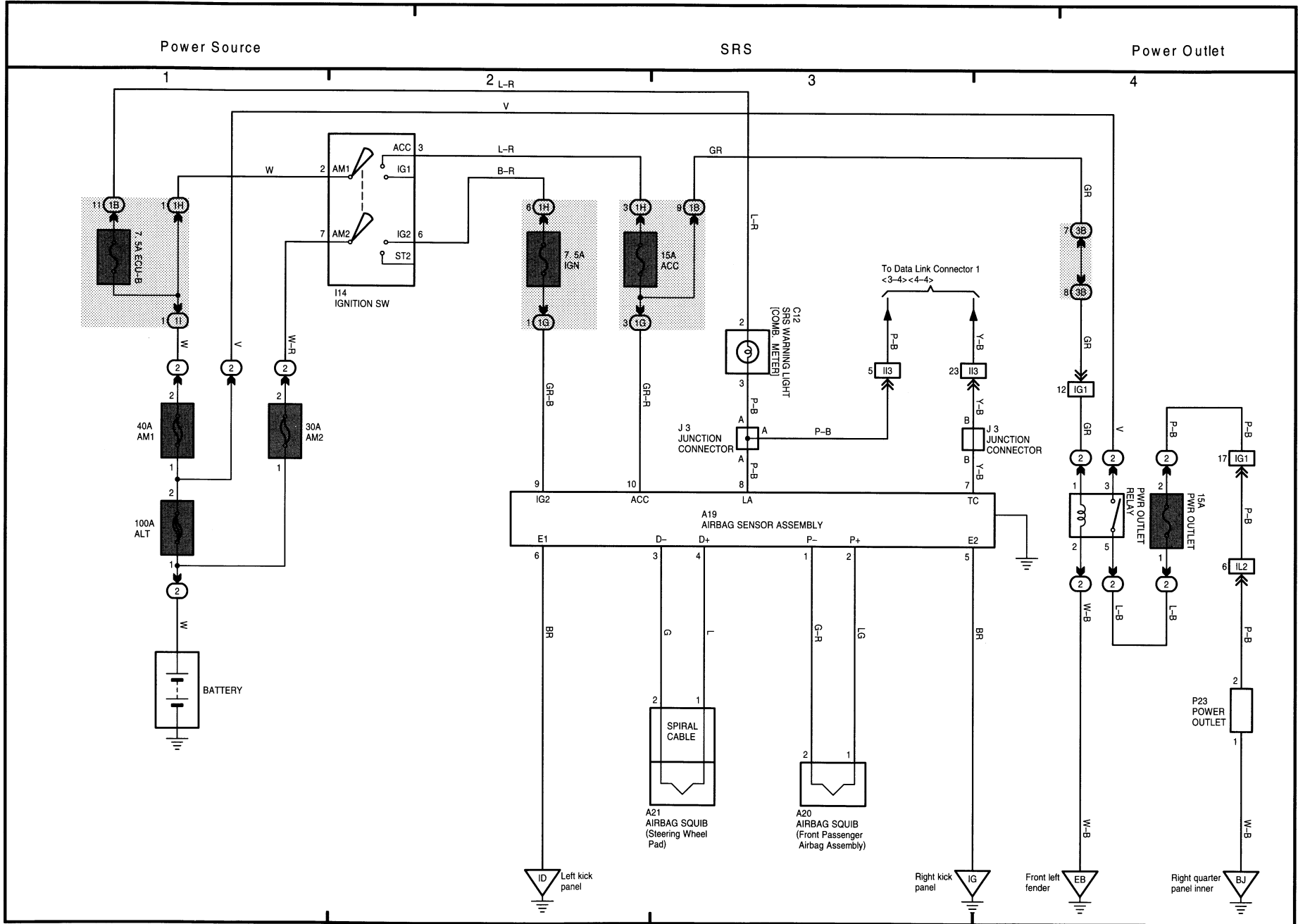
JUNCTION CONNECTOR

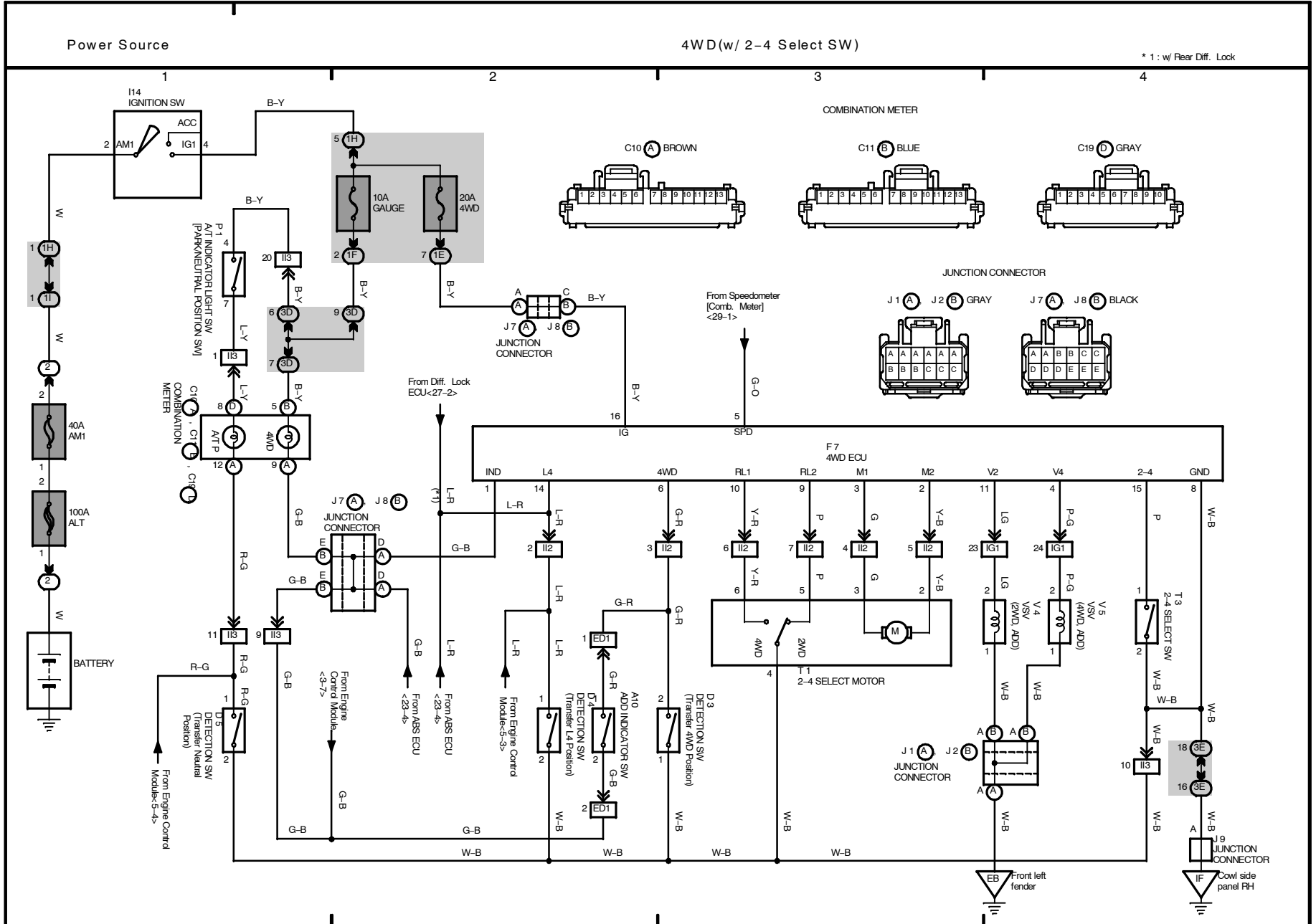
J1 (A), J2 (B) GRAY

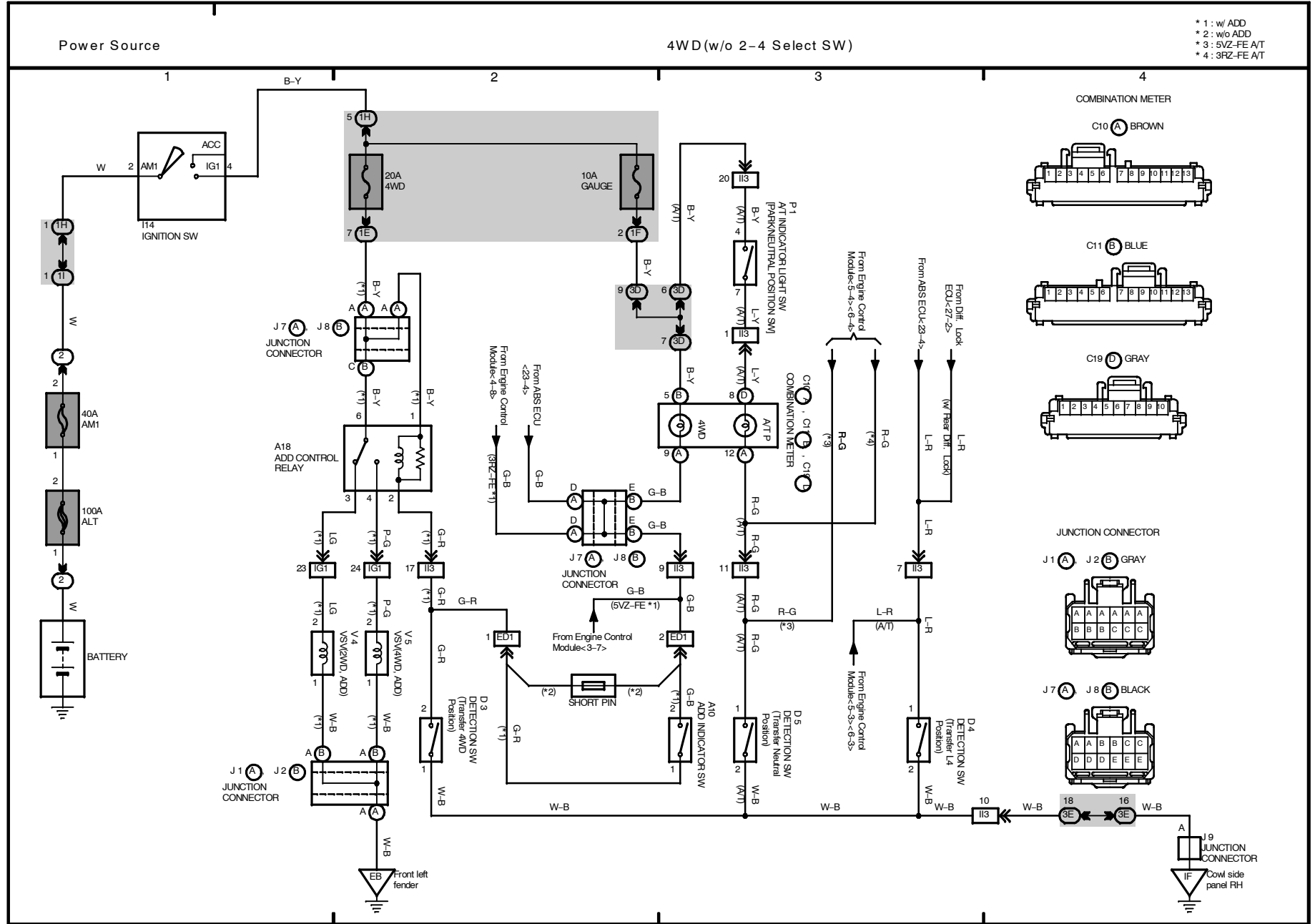


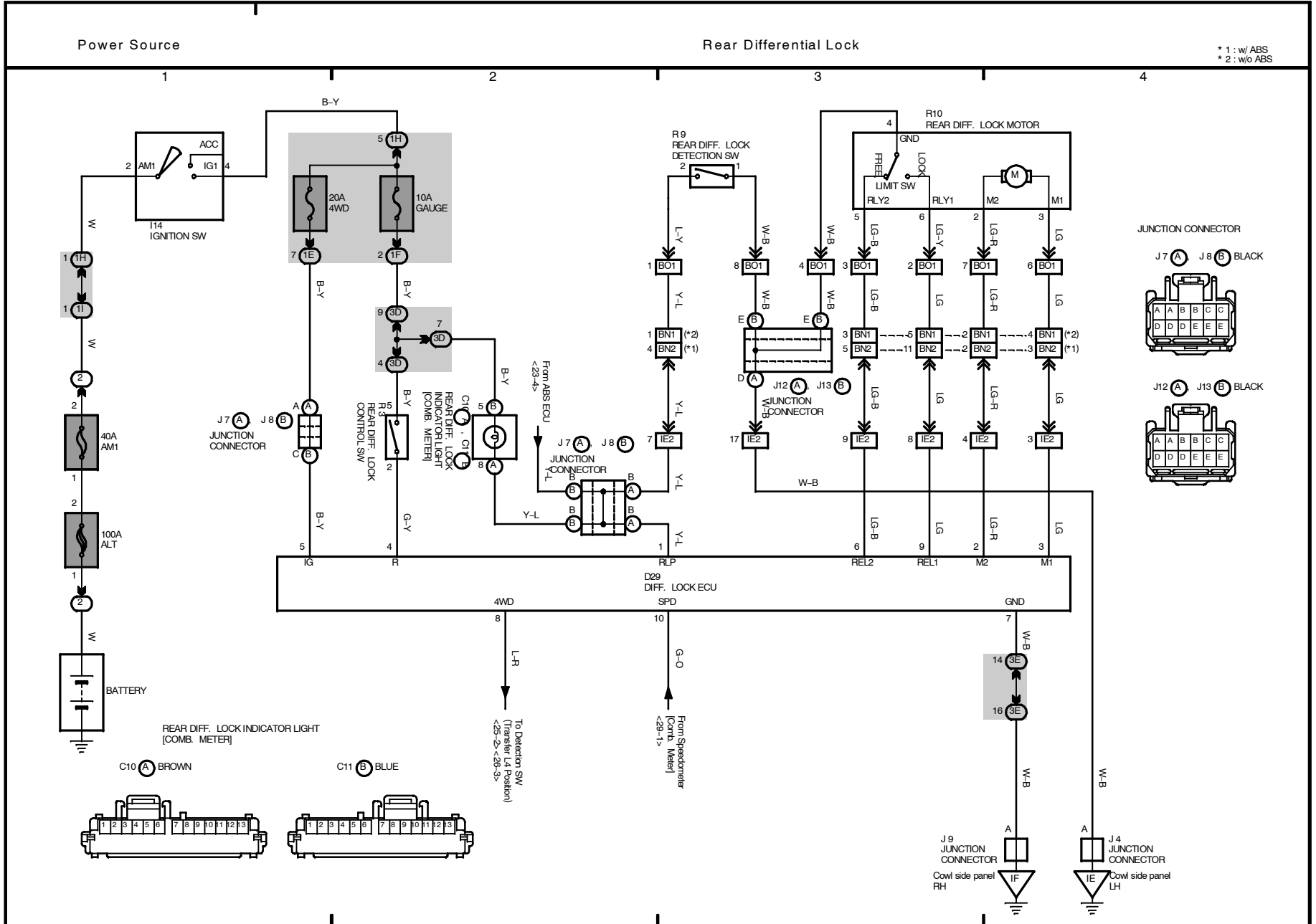
J7 (A), J8 (B) BLACK











* 1 : w ABS
* 2 : w/o ABS



