


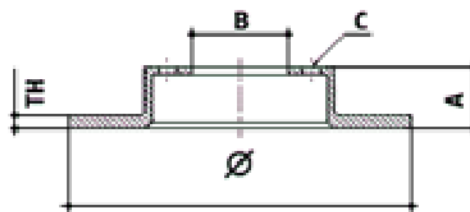
Brembo Part Number: 09.7226.10

Info:



Misures (mm):

Ø	319	B	108
TH	22	C	6
Min TH	20	 (daNm)	
A	70.2		



Tech image:

Tolerance values are for commercial information only and can be amended at any time.
© Brembo / All Rights Reserved.

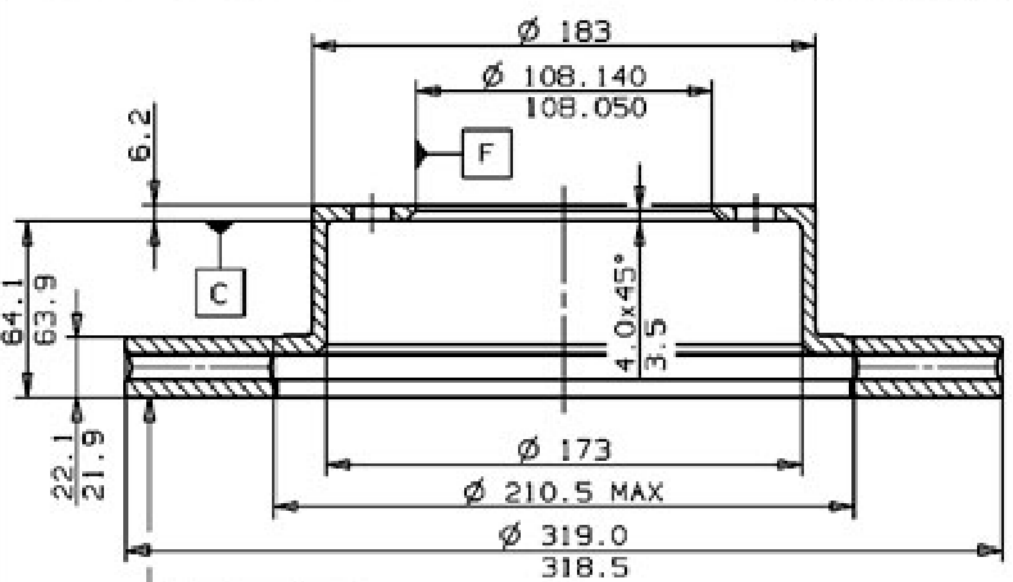


TOYOTA P.N.: 43512-35210

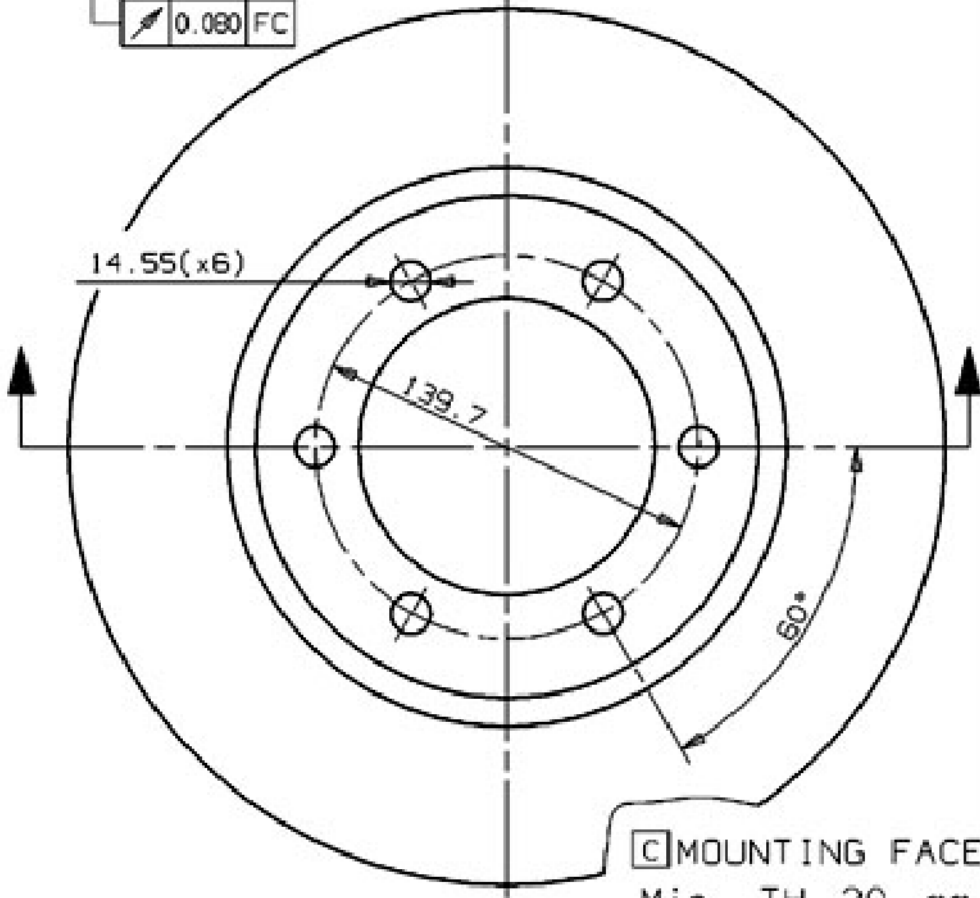
09.7226.10

CUSTOMER P.N.:

Date 15.09.97



0.080 FC



C MOUNTING FACE

Min. TH 20 mm

Weight 6.5 Kg

Type DA