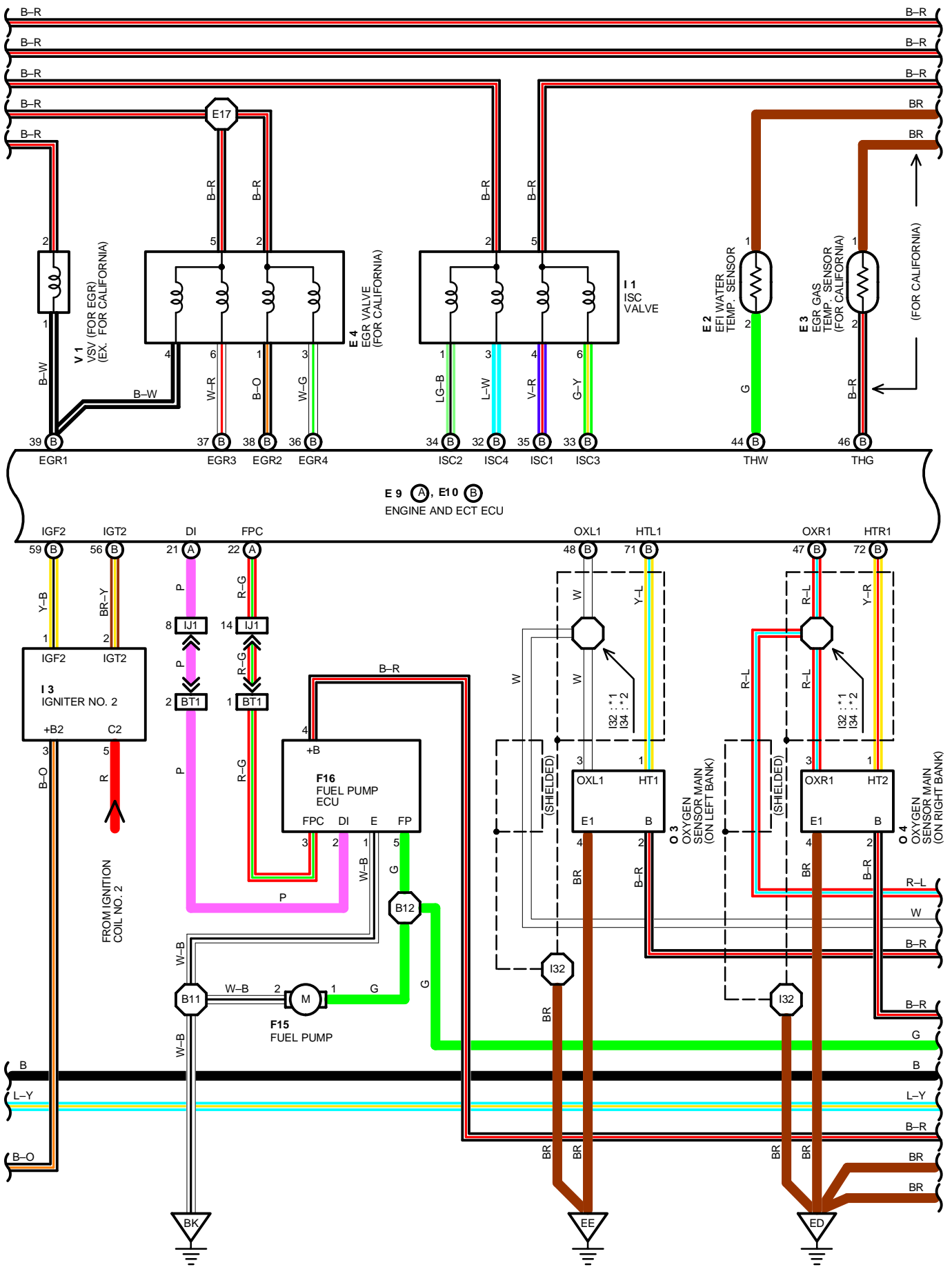


*1 : FOR CALIFORNIA W/ TRACTION CONTROL
 *2 : EX. FOR CALIFORNIA W/ TRACTION CONTROL



ENGINE CONTROL

