

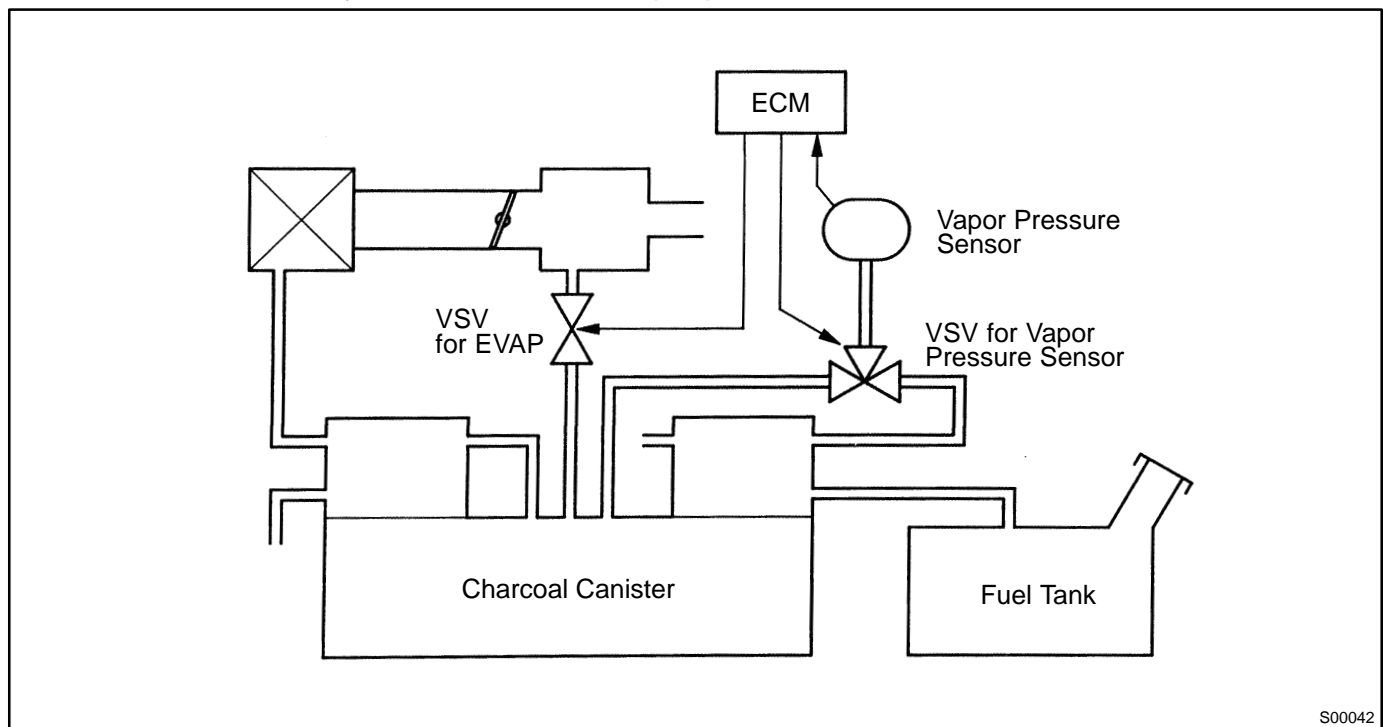
DTC	P0450	Evaporative Emission Control System Pressure Sensor Malfunction
------------	--------------	--

CIRCUIT DESCRIPTION

The vapor pressure sensor and VSV for vapor pressure sensor are used to detect abnormalities in the evaporative emission control system.

The ECM decides whether there is an abnormality in the evaporative emission control system based on the vapor pressure sensor signal.

DTC P0450 is recorded by the ECM when the vapor pressure sensor malfunction.



S00042

DTC No.	DTC Detecting Condition	Trouble Area
P0450	Condition (a) or (b) continues (2 trip detection logic) (a) PTNK < 0.5 V (b) PTNK > 4.5 V	<ul style="list-style-type: none"> • Open or short in vapor pressure sensor circuit • Vapor pressure sensor • ECM

WIRING DIAGRAM

Refer to DTC P0440 on page [DI-244](#) for the WIRING DIAGRAM.

INSPECTION PROCEDURE

HINT:

If DTC P0441, P0446 or P0450 is output after DTC P0440, first trouble shoot DTC P0441, P0446 or P0450. If no malfunction is detected, troubleshoot DTC P0440 next.

1	Check voltage between terminals VCC and E2 of ECM connector (See page DI-244 , step 9).
----------	--

NG	Check and replace ECM.
-----------	-------------------------------

OK

2	Check voltage between terminals PTNK and E2 of ECM connector (See page DI-244 , step 10).
----------	--

OK	Check and replace ECM.
-----------	-------------------------------

NG

3	Check for open and short in harness and connector between the vapor pressure sensor and ECM (See page IN-25).
----------	---

NG	Repair or replace harness or connector.
-----------	--

OK

Replace the vapor pressure sensor.
