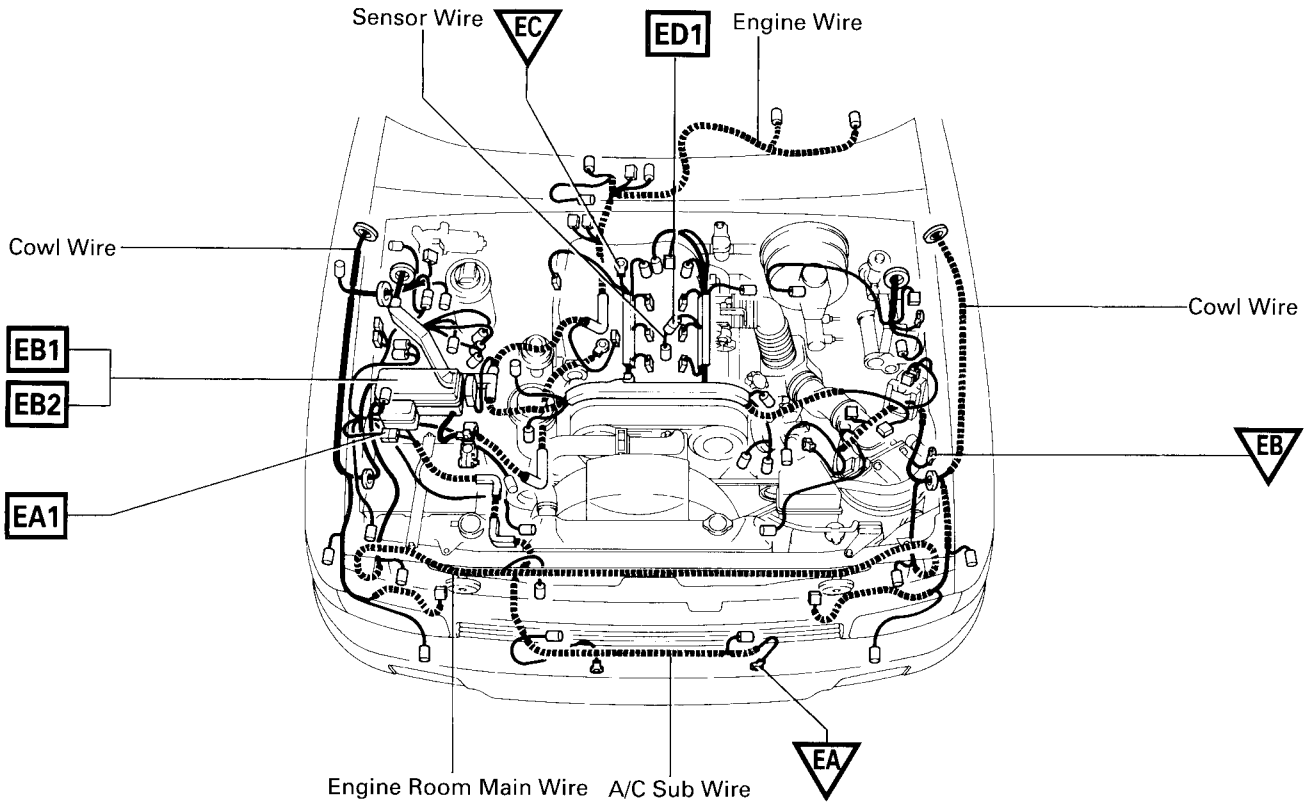


# ELECTRICAL WIRING ROUTING

□ : Location of Connector Joining Wire Harness and Wire Harness

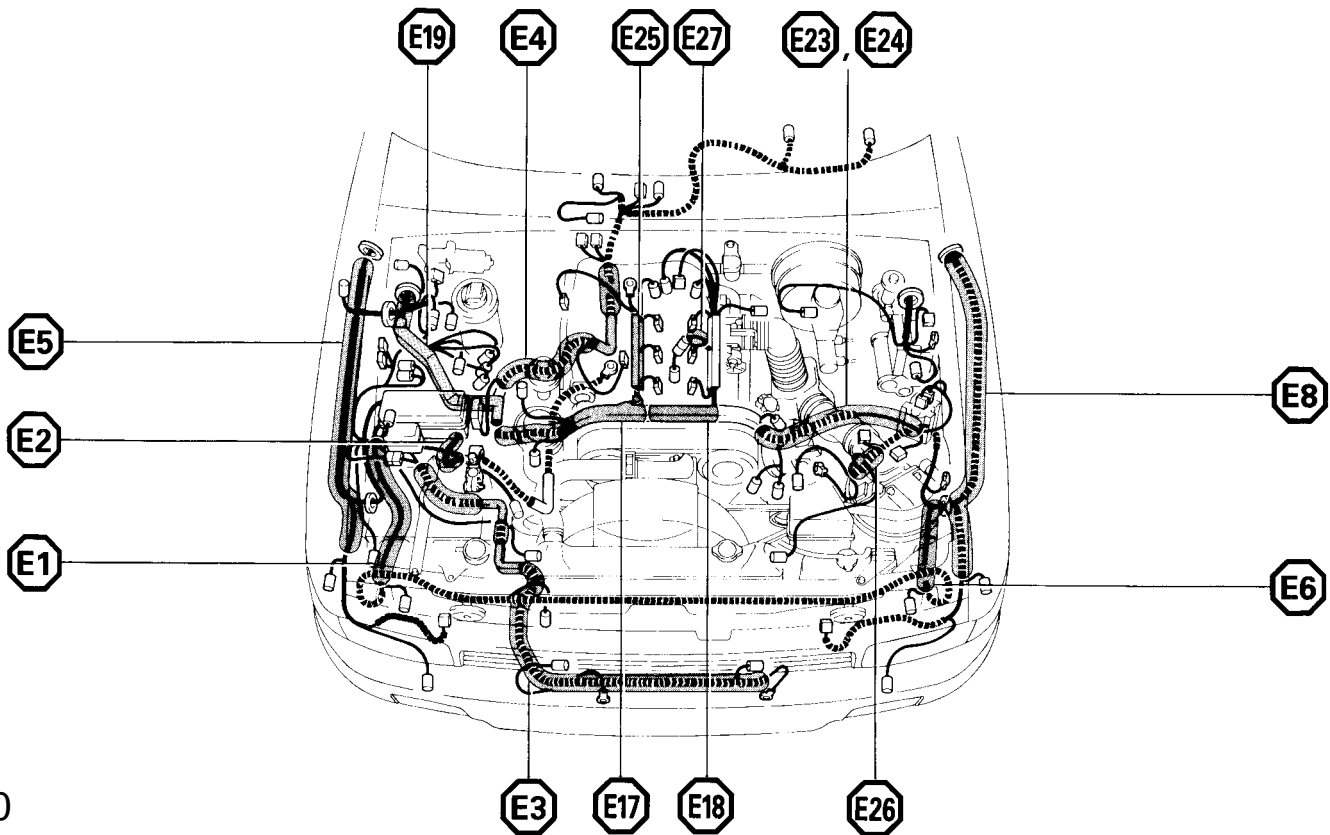
▽ : Location of Ground Points

[3VZ-E]

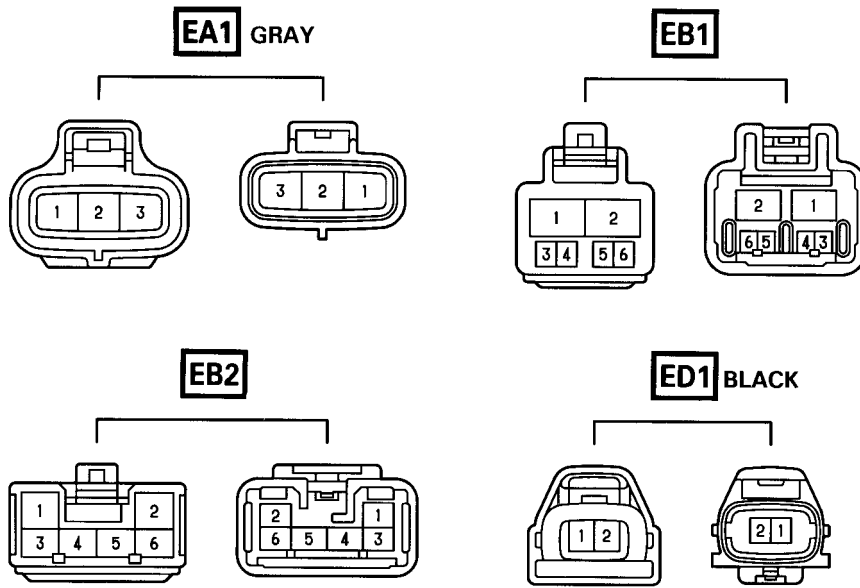


○ : Location of Splice Points

[3VZ-E]



## Connector Joining Wire Harness and Wire Harness



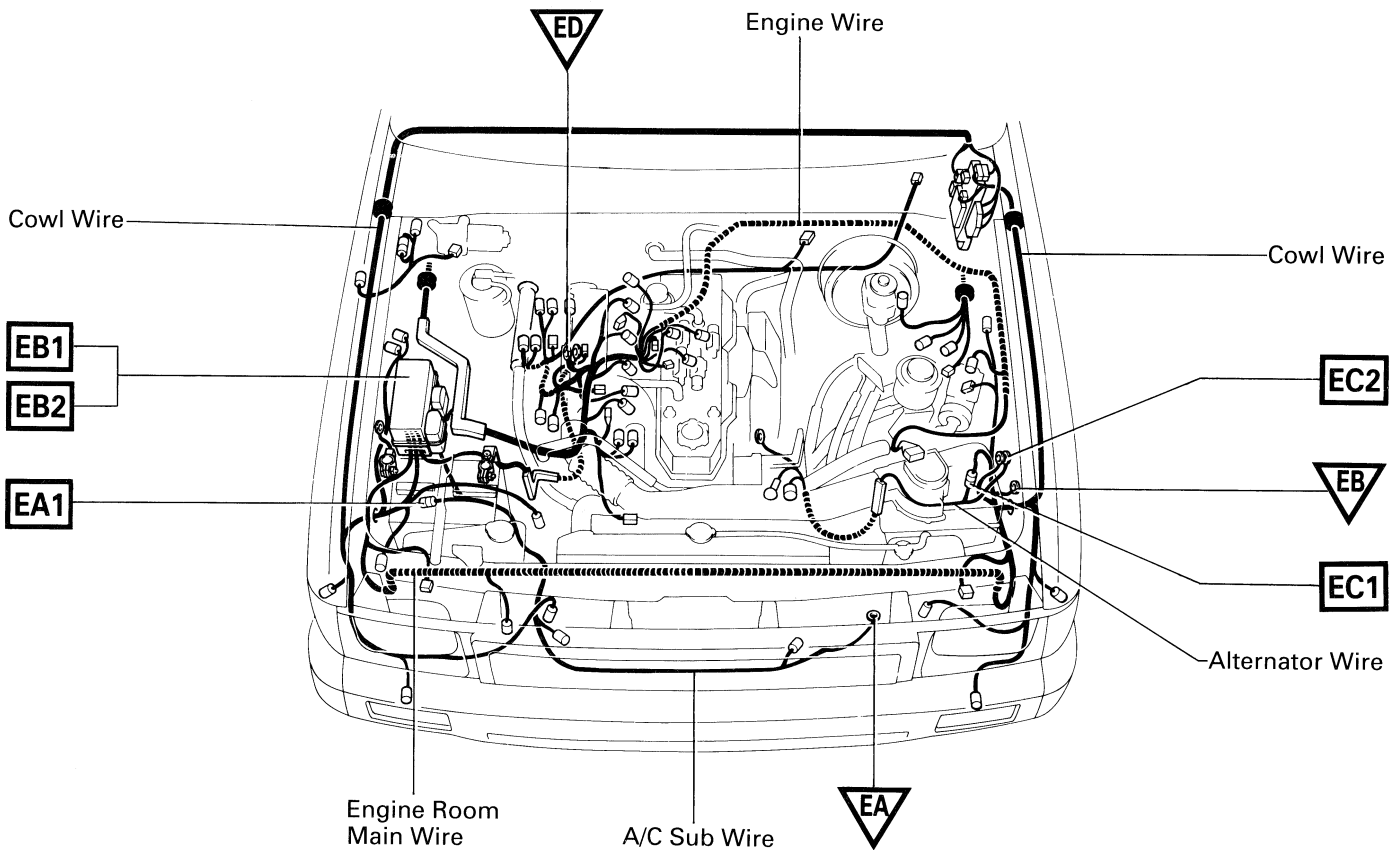
CODE	JOINING WIRE HARNESS AND WIRE HARNESS (CONNECTOR LOCATION)
<b>EA1</b>	COWL WIRE AND A/C SUB WIRE (NEAR THE BATTERY)
<b>EB1</b>	ENGINE ROOM MAIN WIRE AND ALTERNATOR WIRE (FRONT OF LEFT FENDER)
<b>EB2</b>	COWL WIRE AND ENGINE ROOM MAIN WIRE (R/B NO. 2)
<b>ED1</b>	SENSOR WIRE AND ENGINE WIRE (ON THE HEAD COVER)

# ELECTRICAL WIRING ROUTING

□ : Location of Connector Joining Wire Harness and Wire Harness

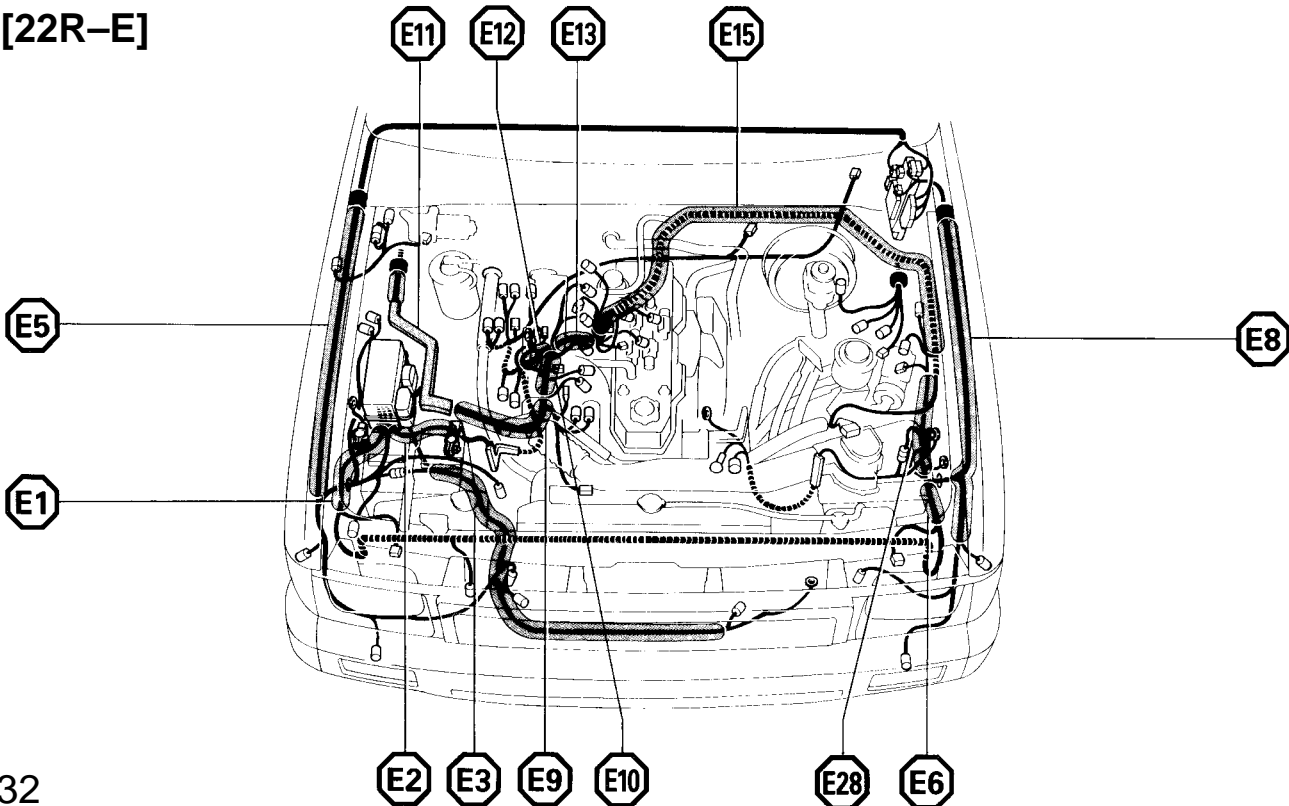
▽ : Location of Ground Points

[22R-E]

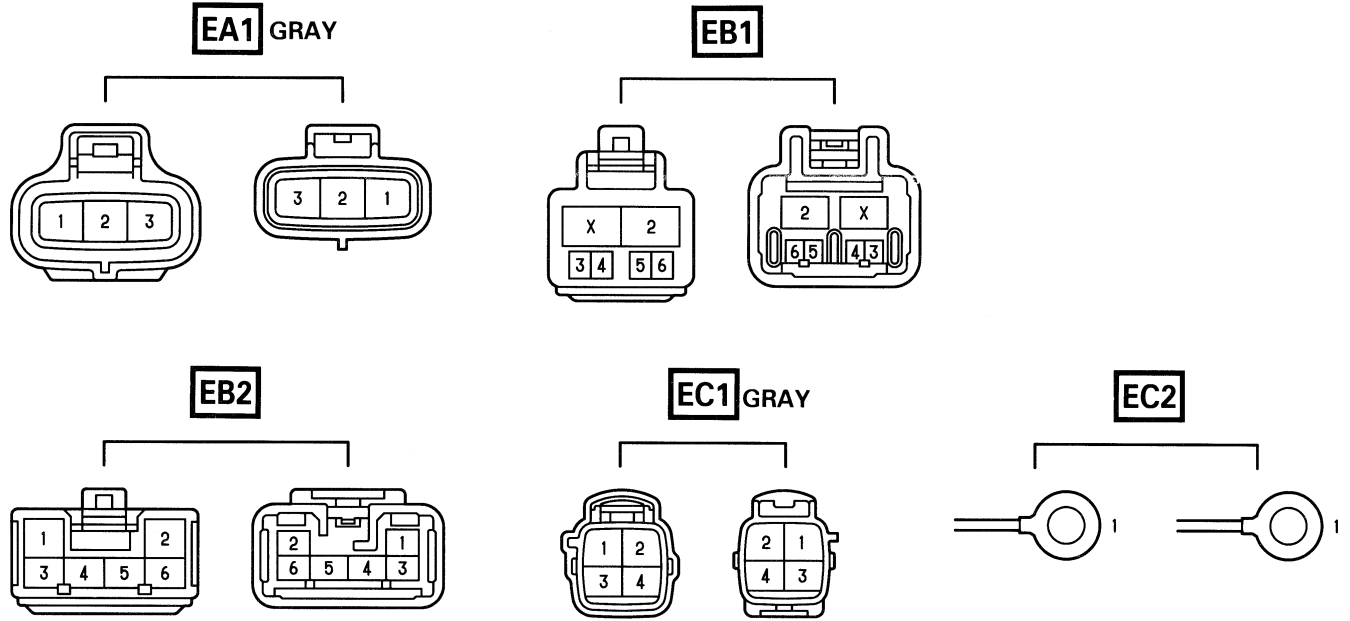


○ : Location of Splice Points

[22R-E]



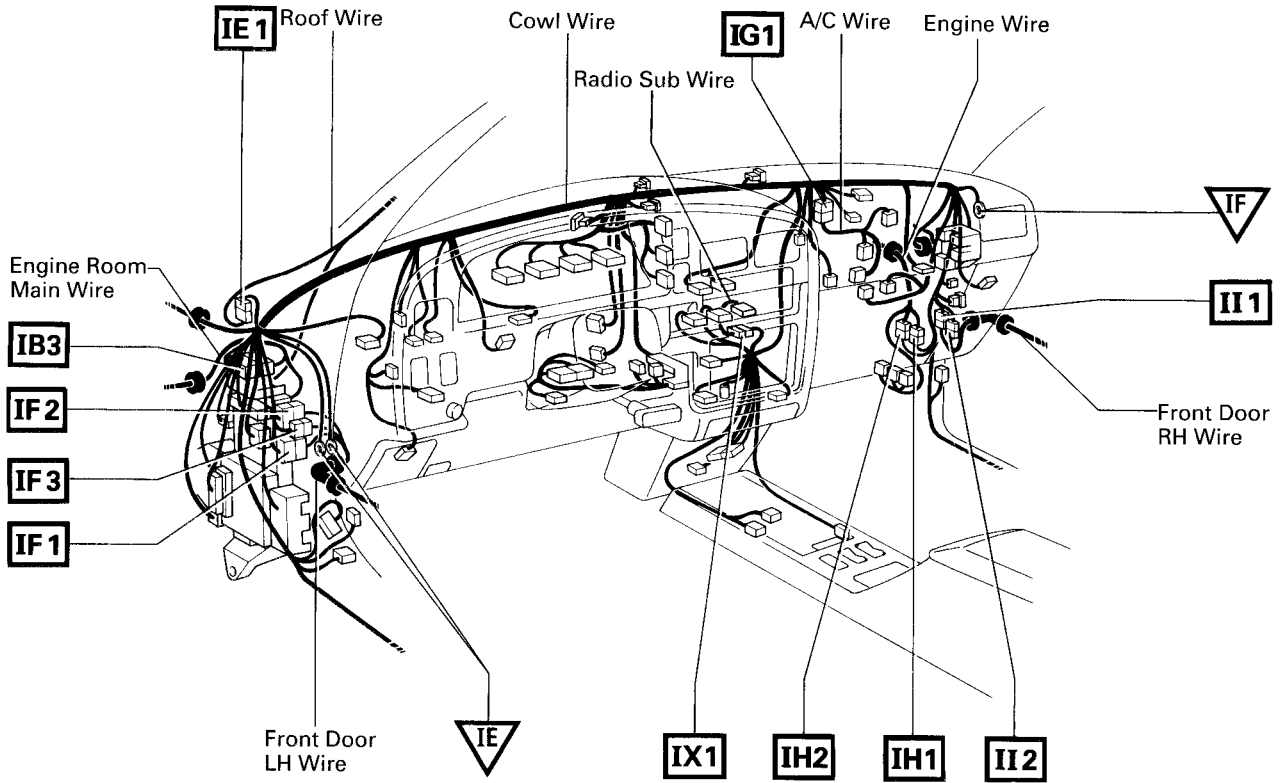
# Connector Joining Wire Harness and Wire Harness



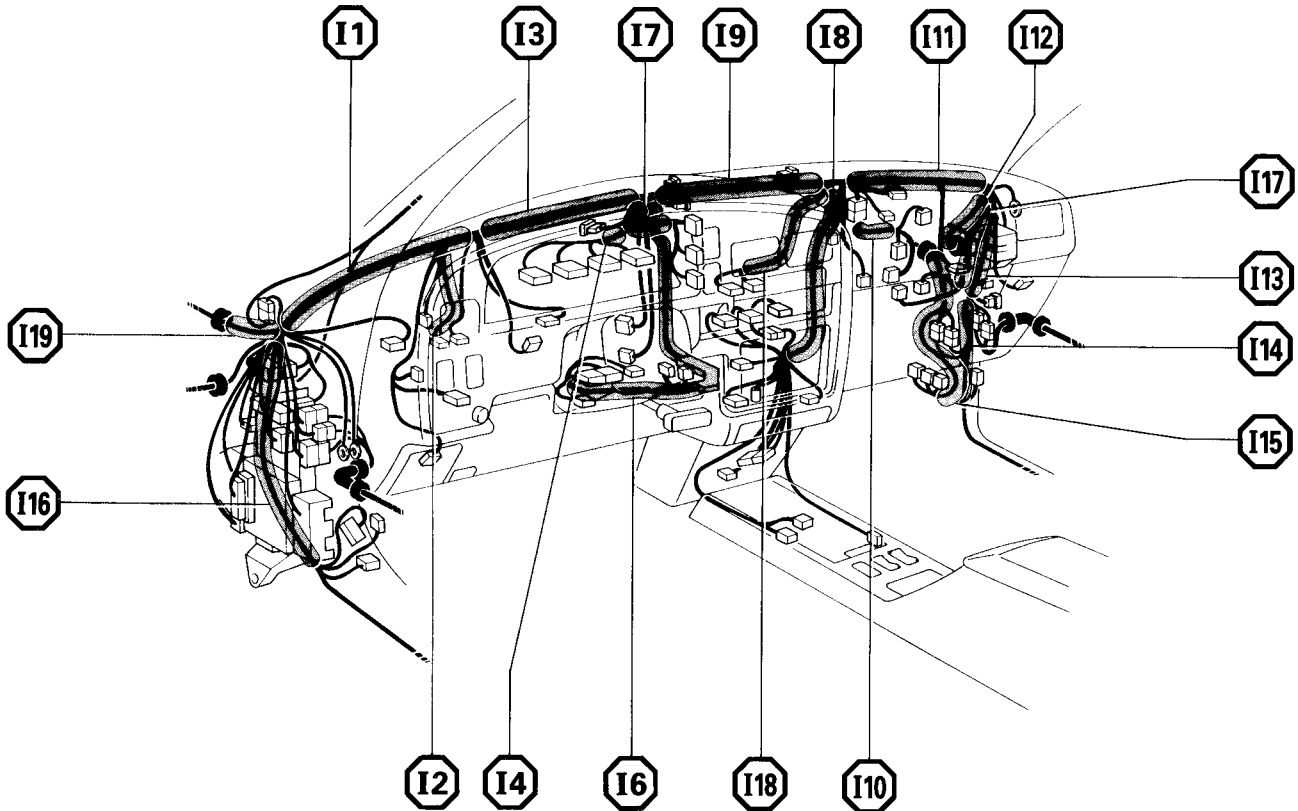
CODE	JOINING WIRE HARNESS AND WIRE HARNESS (CONNECTOR LOCATION)
EA1	COWL WIRE AND A/C SUB WIRE (NEAR THE BATTERY)
EB1	ENGINE ROOM MAIN WIRE AND ALTERNATOR WIRE (FRONT OF LEFT FENDER)
EB2	COWL WIRE AND ENGINE ROOM MAIN WIRE (R/B NO. 2)
EC1	ENGINE ROOM MAIN WIRE AND ALTERNATOR WIRE (FRONT OF LEFT FENDER)
EC2	

# ELECTRICAL WIRING ROUTING

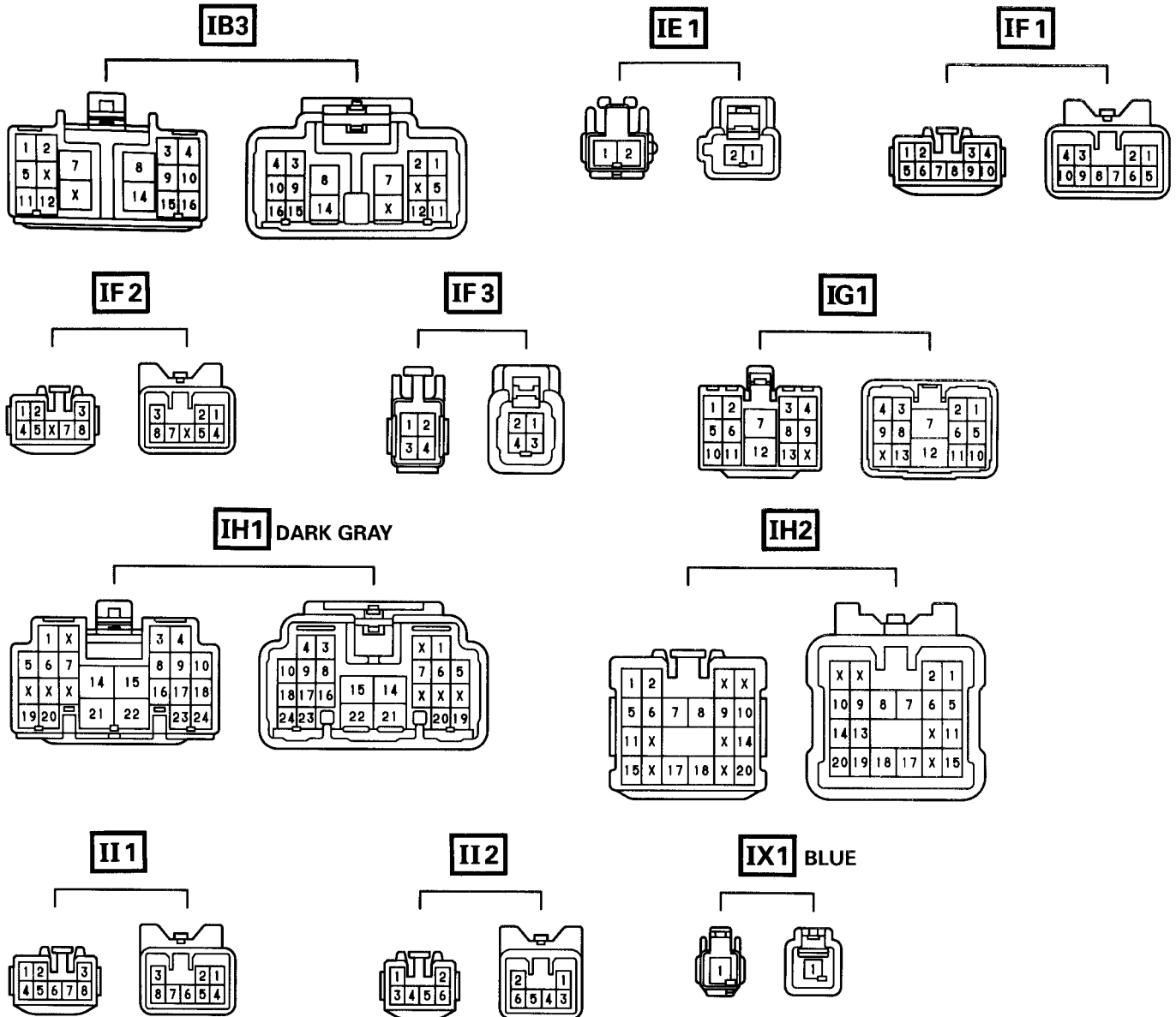
- : Location of Connector Joining Wire Harness and Wire Harness
- ▽ : Location of Ground Points



- : Location of Splice Points



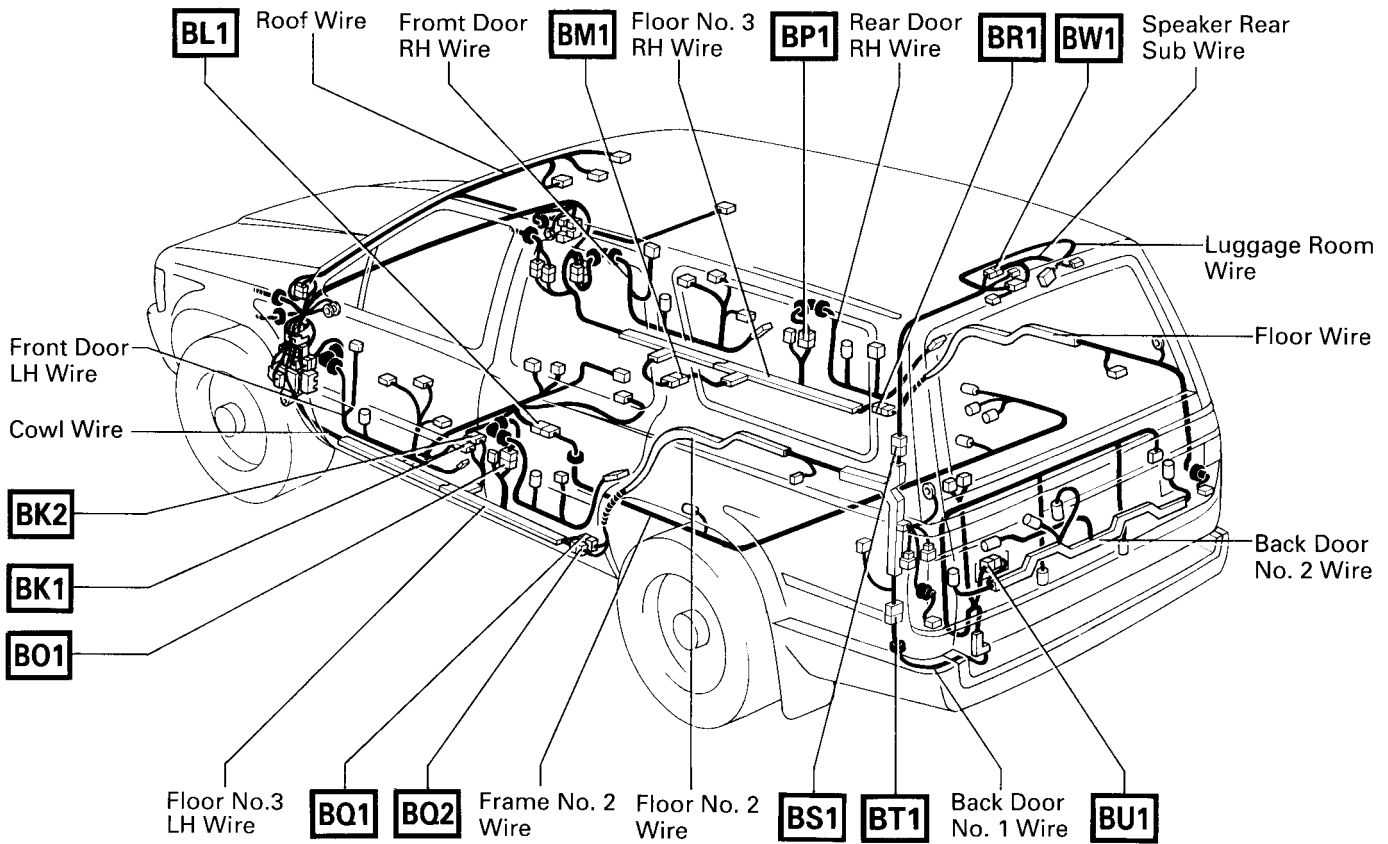
# Connector Joining Wire Harness and Wire Harness



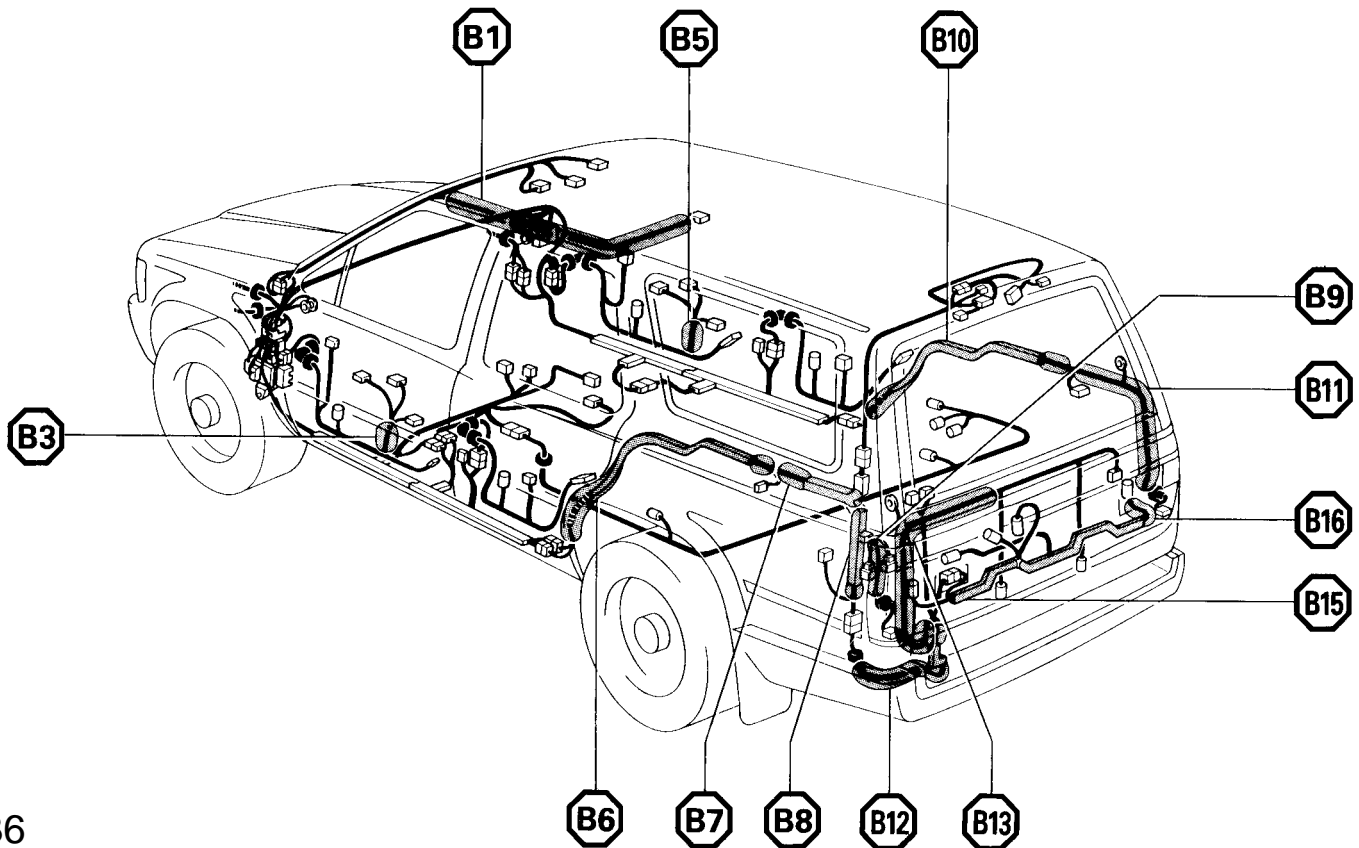
CODE	JOINING WIRE HARNESS AND WIRE HARNESS (CONNECTOR LOCATION)
IB3	ENGINE ROOM MAIN WIRE AND COWL WIRE
IE1	COWL WIRE AND ROOF WIRE (INSTRUMENT PANEL LEFT)
IF1	
IF2	FRONT DOOR LH WIRE AND COWL WIRE (LEFT KICK PANEL)
IF3	
IG1	COWL WIRE AND A/C WIRE (BEHIND GLOVE BOX)
IH1	
IH2	ENGINE WIRE AND COWL WIRE (RIGHT KICK PANEL)
II1	
II2	FRONT DOOR RH WIRE AND COWL WIRE (RIGHT KICK PANEL)
IX1	COWL WIRE AND RADIO SUB WIRE (INSTRUMENT PANEL BRACE)

# ELECTRICAL WIRING ROUTING

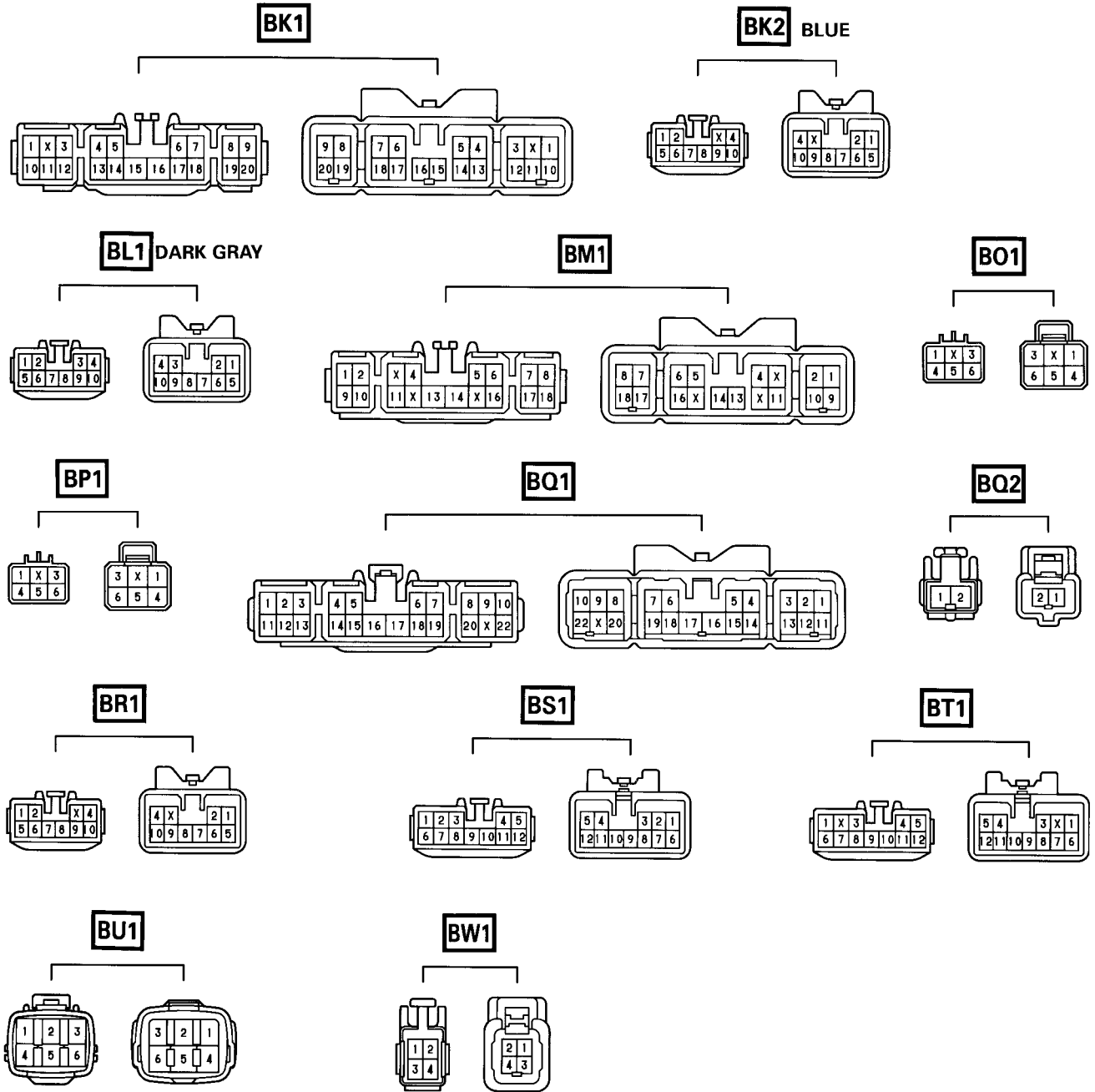
- : Location of Connector Joining Wire Harness and Wire Harness
- ▽ : Location of Ground Points



- : Location of Splice Points



# Connector Joining Wire Harness and Wire Harness



CODE	JOINING WIRE HARNESS AND WIRE HARNESS (CONNECTOR LOCATION)
<b>BK1</b>	FLOOR NO. 3 LH WIRE AND COWL WIRE (LEFT SIDE OF FRONT LH SEAT)
<b>BK2</b>	COWL WIRE AND FLOOR NO. 3 LH WIRE (LEFT SIDE OF FRONT LH SEAT)
<b>BL1</b>	FRAME NO. 2 WIRE AND COWL WIRE (UNDER THE FRONT LH SEAT)
<b>BM1</b>	FLOOR NO. 3 RH WIRE AND COWL WIRE (RIGHT SIDE OF FRONT RH SEAT)
<b>BO1</b>	REAR DOOR LH WIRE AND FLOOR NO. 3 LH WIRE (LEFT CENTER PILLAR)
<b>BP1</b>	REAR DOOR RH WIRE AND FLOOR NO. 3 RH WIRE (RIGHT CENTER PILLAR)
<b>BQ1</b>	FLOOR NO. 3 LH WIRE AND FLOOR NO. 2 WIRE (LEFT SIDE OF REAR LH SEAT)
<b>BQ2</b>	
<b>BR1</b>	FLOOR NO. 3 RH WIRE AND FLOOR WIRE (RIGHT SIDE OF REAR RH SEAT)
<b>BS1</b>	FLOOR NO. 2 WIRE AND LUGGAGE ROOM WIRE (UNDER LEFT REAR PILLAR)
<b>BT1</b>	BACK DOOR NO. 1 WIRE AND FLOOR NO. 2 WIRE (BESIDE LEFT REAR COMB. LIGHT)
<b>BU1</b>	BACK DOOR NO. 1 WIRE AND BACK DOOR NO. 2 WIRE (BACK DOOR LEFT)
<b>BW1</b>	SPEAKER REAR SUB WIRE AND LUGGAGE ROOM WIRE (INSIDE OF REAR HEADER TRIM)