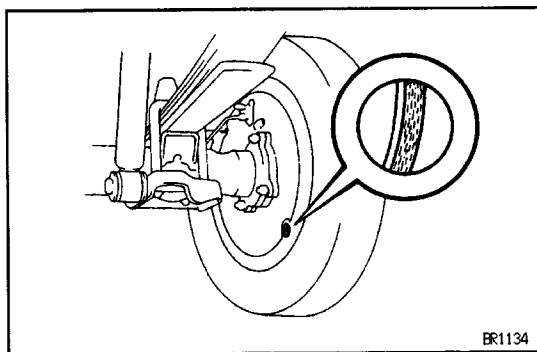
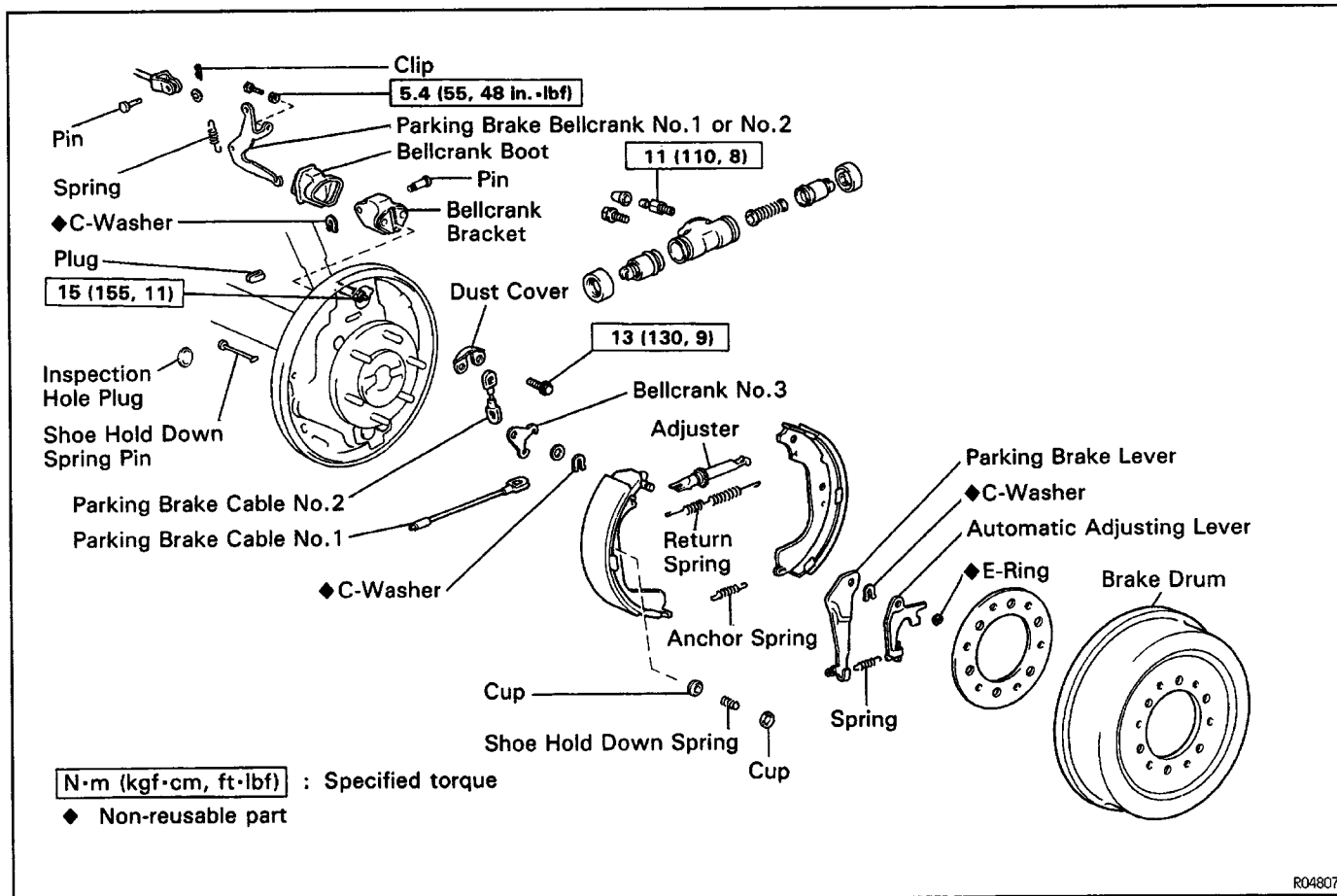


REAR BRAKE (4WD) COMPONENTS



REAR BRAKE REMOVAL

1. INSPECT SHOE LINING THICKNESS

Remove the inspection hole plug, and check the shoe lining thickness through the hole.

If less than minimum, replace the shoes.

Minimum thickness:

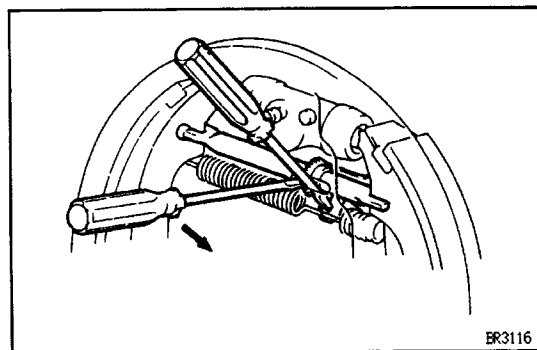
1.0 mm (0.039 in.)

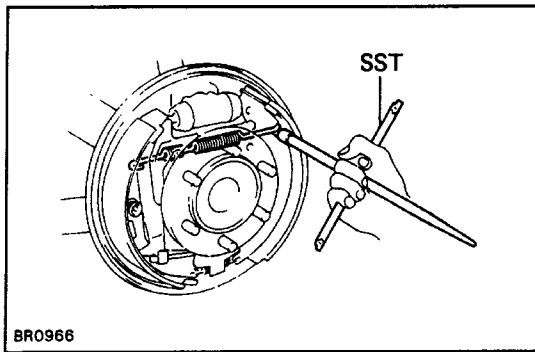
2. REMOVE REAR WHEEL

3. REMOVE BRAKE DRUM

HINT: If the brake drum cannot be removed easily perform the following:

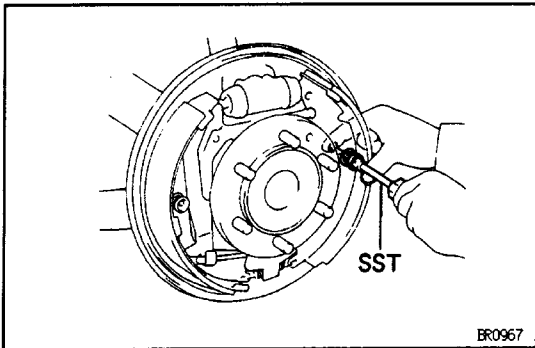
- Insert a screwdriver through the hole in the backing plate, and hold the automatic adjusting lever away from the adjusting bolt.
- Using another screwdriver, reduce the brake shoe adjustment by turning the adjusting bolt.





4. REMOVE REAR SHOE

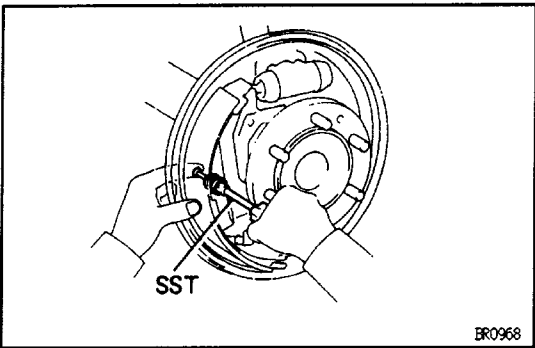
- (a) Using SST, disconnect the return spring.
SST 09703-30010



- (b) Using SST, remove the shoe hold-down spring, cups and pin.
SST 09718-00010

- (c) Disconnect the anchor spring from the rear shoe and remove the rear shoe.

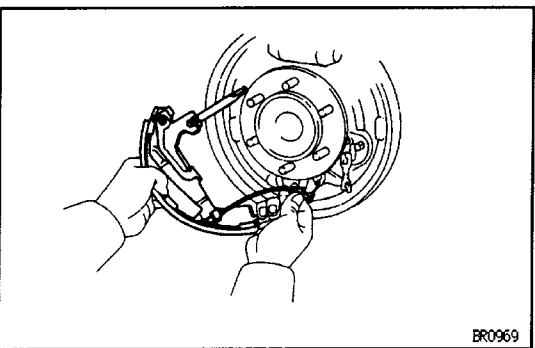
- (d) Remove the anchor spring from the front shoe.



5. REMOVE FRONT SHOE

- (a) Using SST, remove the shoe hold-down spring, cups and pin.
SST 09718-00010

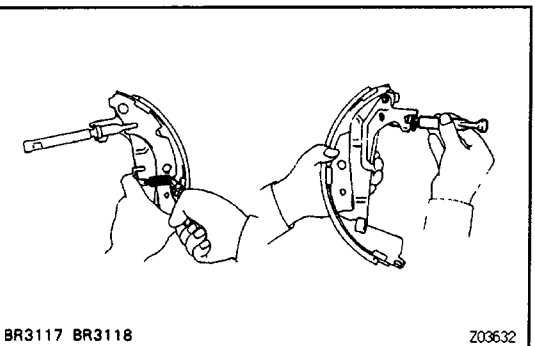
- (b) Remove the return spring from the front shoe.



- (c) Disconnect the parking brake cable No.1 from the parking brake bellcrank No.3.

- (d) Remove the front shoe with adjuster.

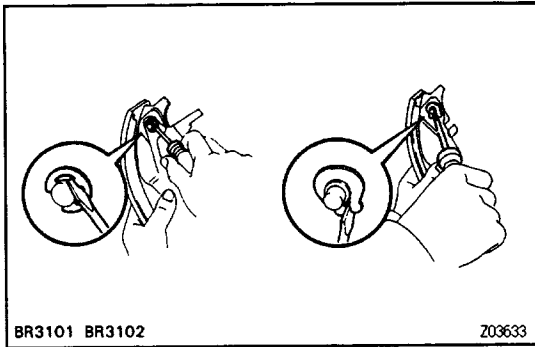
- (e) Disconnect the parking brake cable from the front shoe.



6. REMOVE ADJUSTER FROM FRONT SHOE

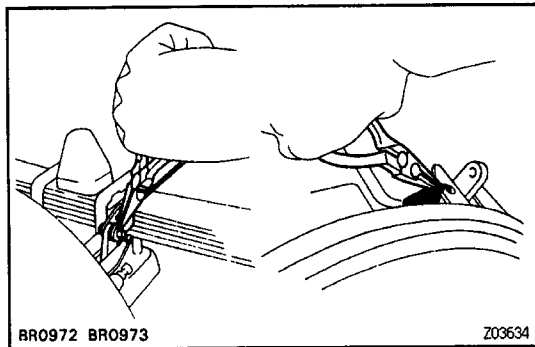
- (a) Remove the adjusting lever spring.

- (b) Remove the adjuster.



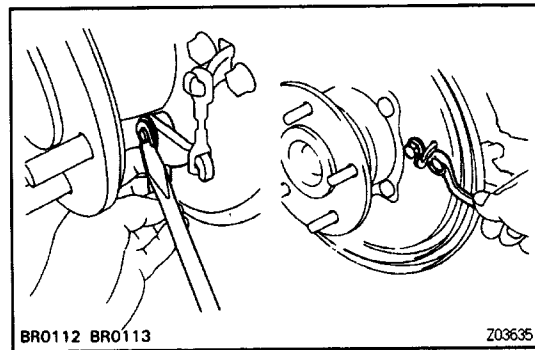
7. REMOVE AUTOMATIC ADJUSTING LEVER AND PARKING BRAKE LEVER

- (a) Remove the E-ring.
- (b) Remove the automatic adjusting lever.
- (c) Remove the C-washer.
- (d) Remove the parking brake lever.

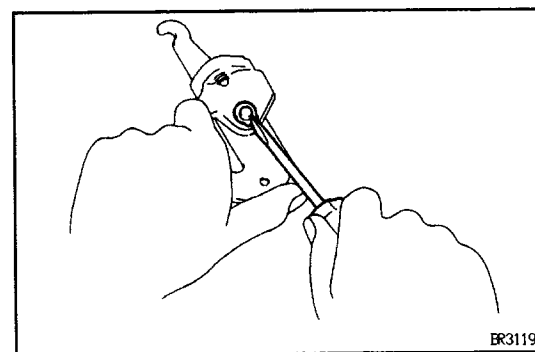


8. REMOVE AND DISASSEMBLE PARKING BRAKE BELLCRANK

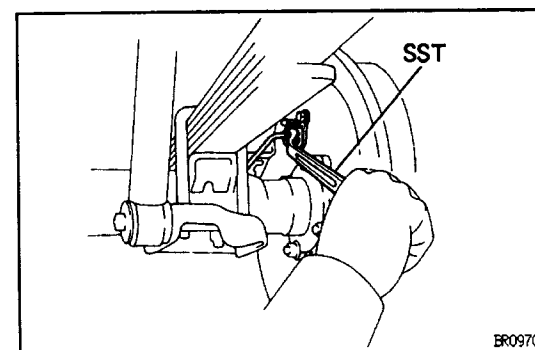
- (a) Remove the clip and disconnect the parking brake cable.
- (b) Remove the tension spring.



- (c) Using a screwdriver, remove the bellcrank No.3 from the backing plate with parking brake cable No.2.
- (d) Remove the parking brake bellcrank No.1 or No.2 and dust cover with the 2 bolts.
- (e) Remove the bellcrank boot from the bellcrank bracket



- (f) Remove the C-washer and pin.
- (g) Remove the parking brake bellcrank from the bellcrank bracket.

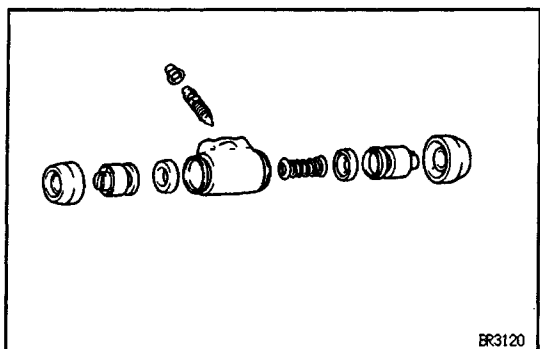


9. REMOVE WHEEL CYLINDER

- (a) Using SST, disconnect the brake line. Use a container to catch the brake fluid.

SST 09751-36011

- (b) Remove the 2 bolts and the wheel cylinder.



BR3120

10. DISASSEMBLE WHEEL CYLINDER

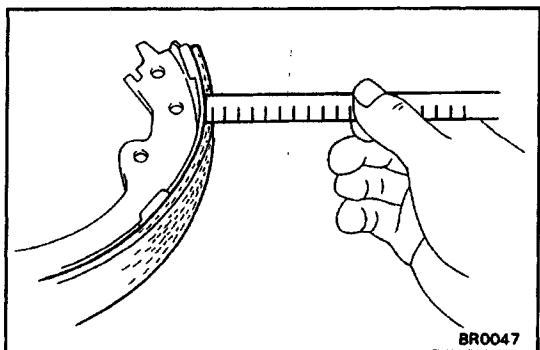
Remove the following parts from the wheel cylinder:

- 2 boots
- 2 pistons
- 2 piston cups
- Spring

REAR BRAKE COMPONENTS INSPECTION AND REPAIR

1. INSPECT DISASSEMBLED PARTS

inspect the disassembled parts for wear, rust or damage.



BR0047

2. MEASURE BRAKE SHOE LINING THICKNESS

Standard thickness:

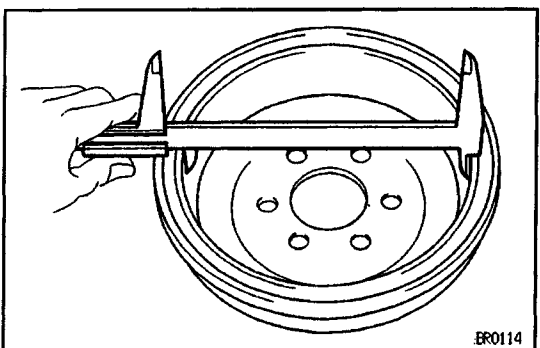
7.0 mm (0.276 in.)

Minimum thickness:

1.0 mm (0.039 in.)

If the shoe lining is less than minimum or shows signs of uneven wear, replace the brake shoes.

HINT: If any of the brake shoes have to be replaced, replace all of the rear shoes in order to maintain even braking.



BR0114

3. MEASURE BRAKE DRUM INSIDE DIAMETER

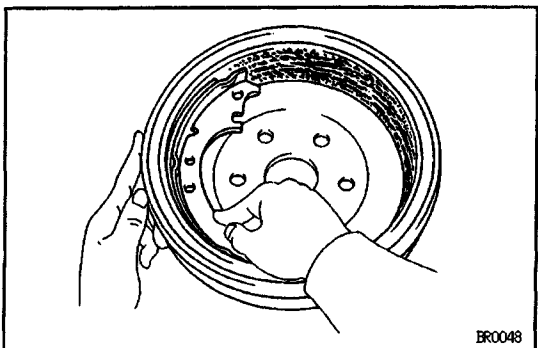
Standard inside diameter:

295.0 mm (11.61 in.)

Maximum inside diameter:

297.0 mm (11.69 in.)

If the drum is scored or worn, the brake drum may be lathed to the maximum inside diameter.



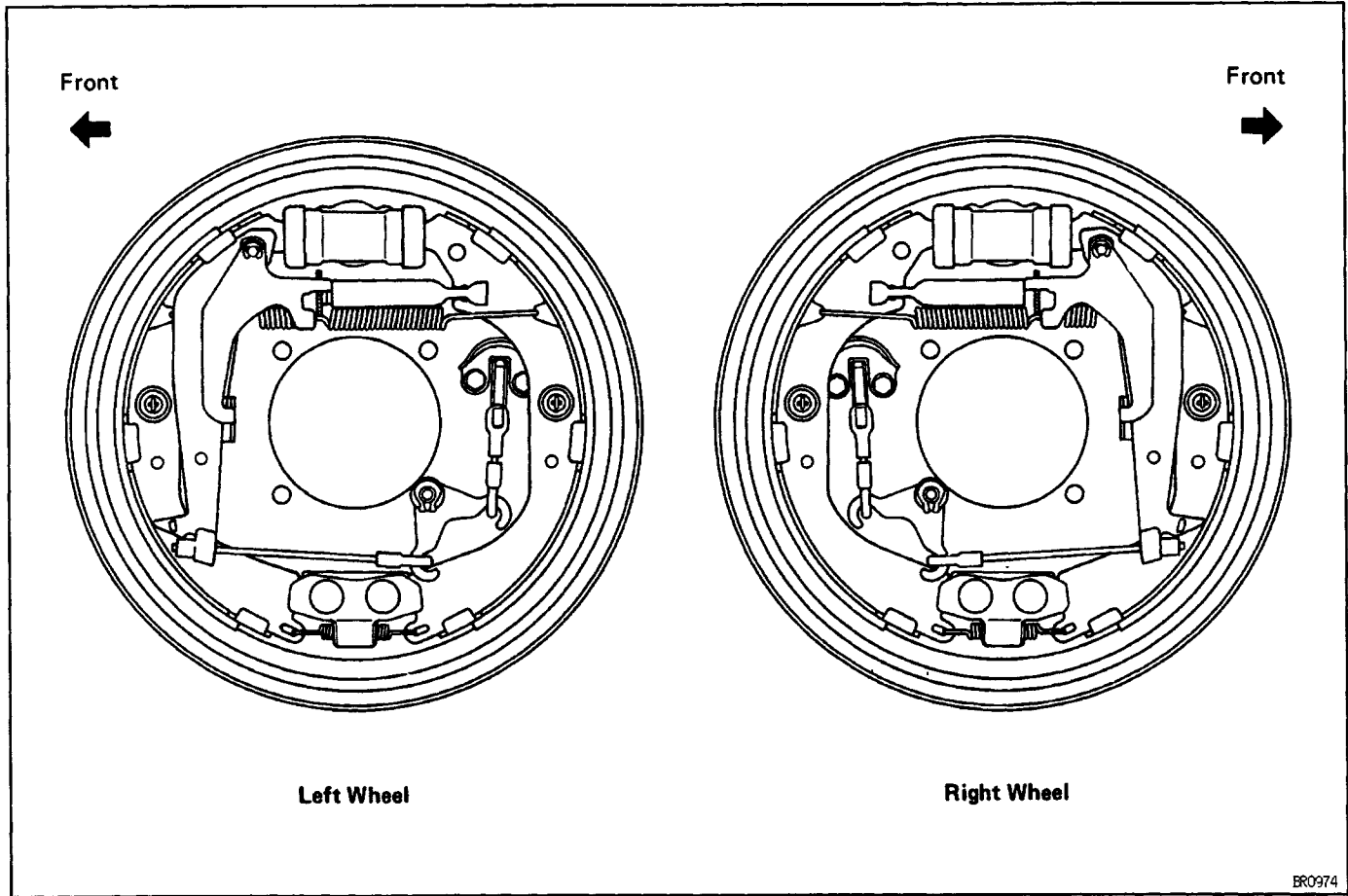
BR0048

4. INSPECT REAR BRAKE LINING AND DRUM FOR PROPER CONTACT

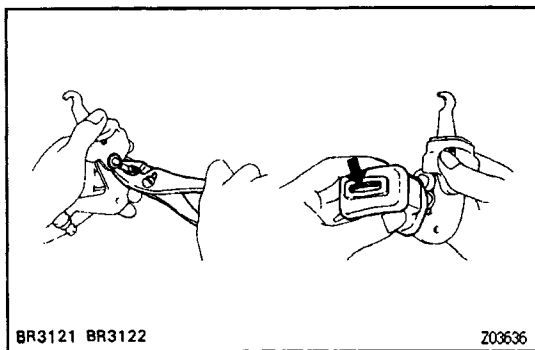
If the contact between the brake lining and drum is improper, repair the lining with a brake shoe grinder, or replace the brake shoe assembly.

REAR BRAKE INSTALLATION

HINT: Assemble the parts in the correct direction as shown.



BR0974

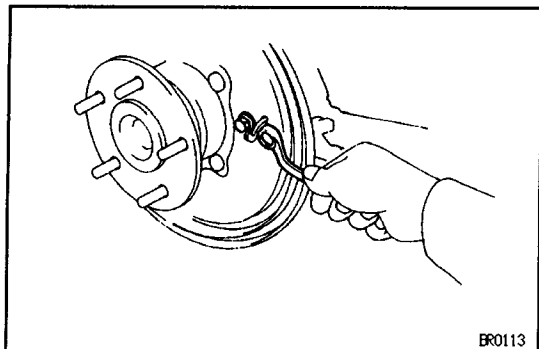


BR3121 BR3122

Z03636

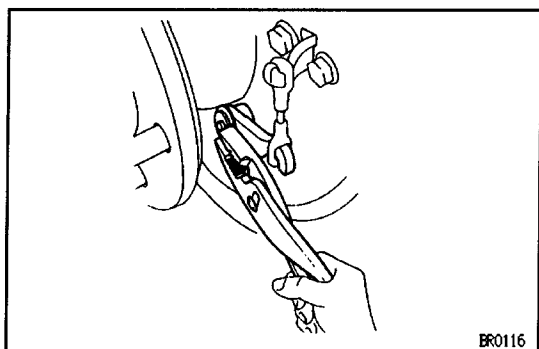
1. ASSEMBLE AND INSTALL PARKING BRAKE BELLCRANK

- (a) Apply high temperature grease to the rotating parts of the bellcrank.
- (b) Apply lithium soap base glycol grease to the bellcrank boot and install it over the parking brake bellcrank.
- (c) Install the parking brake bellcrank to the bellcrank bracket.
- (d) Install the pin with a new C-washer.
- (e) Install the bellcrank boot to the parking brake bellcrank bracket.



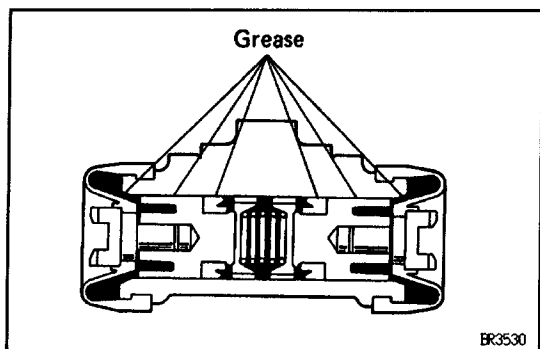
- (f) Install the parking brake bellcrank and dust cover or the backing plate.

Torque: 13 N-m (130 kgf-cm, 9 ft-lbf)



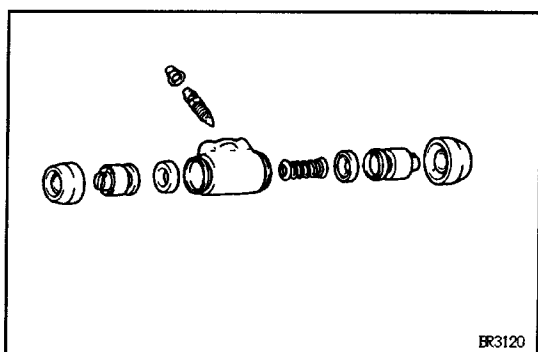
- (g) Install the parking brake cable No.2 to the parking brake bellcrank No.1 or No.2.

- (h) Hook the bellcrank No.3 to the cable No.2, and then install the bellcrank No.3 with a new C-washer.



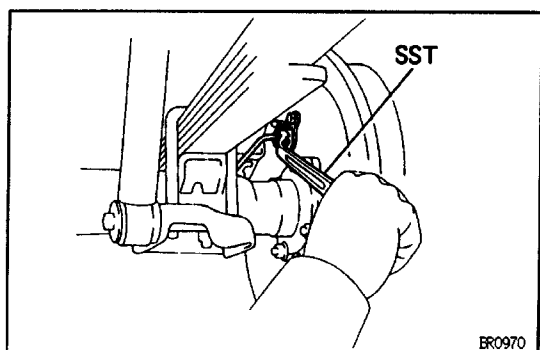
2. APPLY LITHIUM SOAP BASE GLYCOL GREASE TO FOLLOWING PARTS:

- (a) 2 piston cups
- (b) 2 pistons



3. ASSEMBLE WHEEL CYLINDER

- (a) Install the cup to each piston.
- (b) Install the spring and 2 piston into the wheel cylinder.
Make sure flanges of the cups are pointed inward.
- (c) Install the 2 boots.



4. INSTALL WHEEL CYLINDER

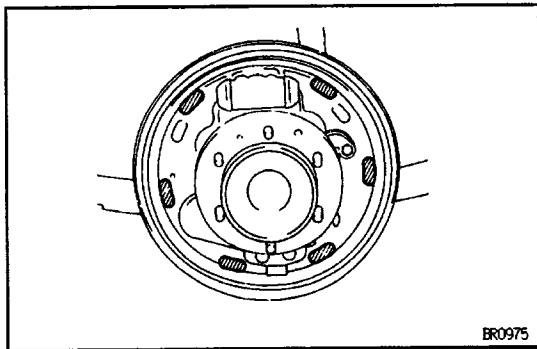
- (a) Install the wheel cylinder on the backing plate with 2 bolts.

Torque: 10 N-m (100 kgf-cm, 7 ft-lbf)

- (b) Using SST, connect the brake line.

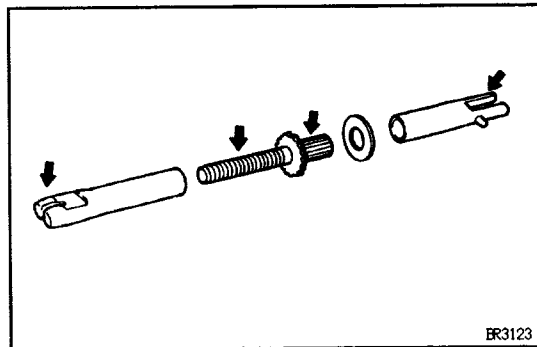
SST 49751 -36011

Torque: 15 N-m (155 kgf-cm, 11 ft-lbf)

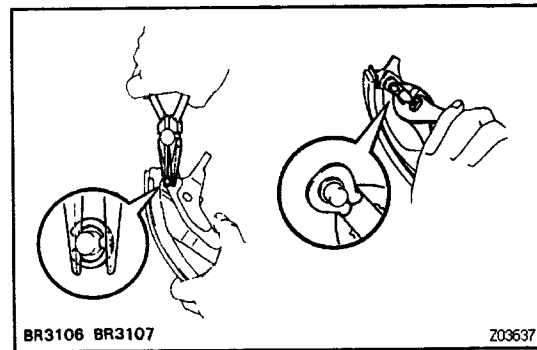


5. APPLY HIGH TEMPERATURE GREASE TO BACK-ING PLATE AND ADJUSTER

(a) Apply high temperature grease to the brake shoe contact surfaces.

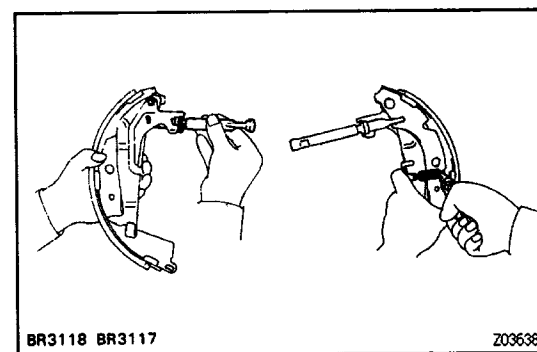


(b) Apply high temperature grease to the adjuster bolt threads and ends.



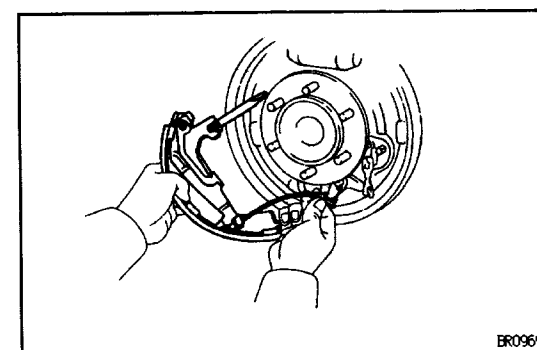
6. INSTALL PARKING BRAKE LEVER AND AUTOMATIC ADJUSTING LEVER

(a) Install the parking brake lever with a new C-washer,
 (b) Install the automatic adjusting lever with the E-ring.



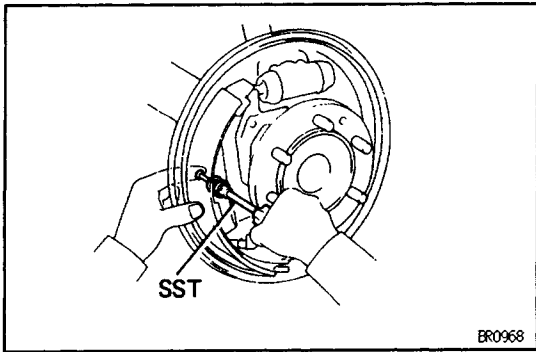
7. INSTALL ADJUSTER TO FRONT SHOE

(a) Install the adjuster to the adjusting lever.
 (b) Install the adjusting lever spring.



8. INSTALL FRONT SHOE

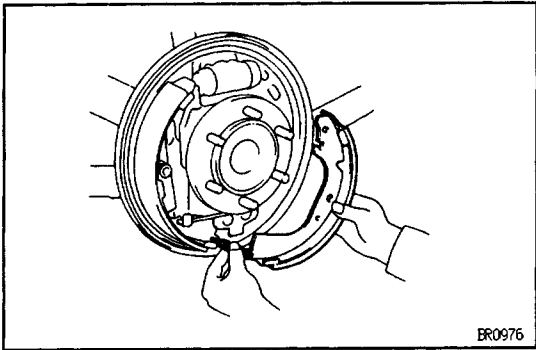
(a) Install the parking brake cable No.1 to the parking brake shoe lever.
 (b) Hook the other end of cable No. 1 to the bellcrank No 3.
 (c) Install the return spring to the front shoe.



- (d) Set the front shoe in place with the end of the shoe inserted in the piston.
- (e) Using SST, install the shoe hold-down spring, cups and pin.

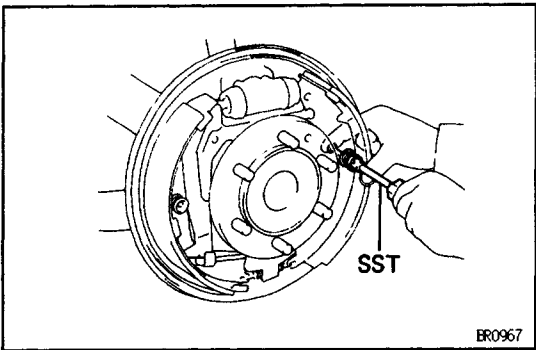
SST 09718-00010

NOTICE: Do not allow oil or grease to get on the rubbing face.



9. INSTALL REAR SHOE

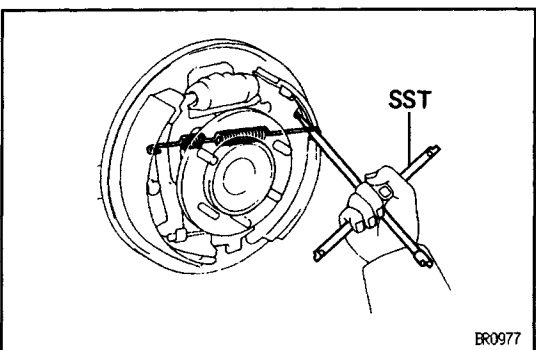
- (a) Install the anchor spring between the front and rear shoes.
- (b) Set the rear shoe in place with the end of the shoe inserted in the wheel cylinder and the adjuster in place.



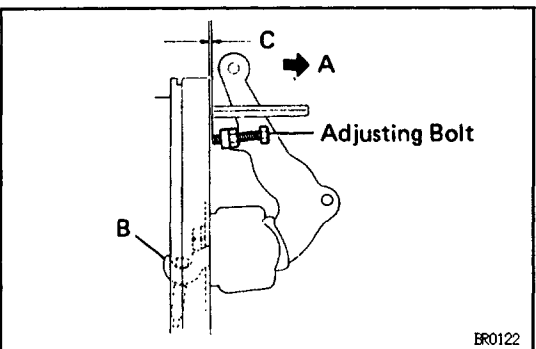
- (c) Using SST, install the shoe hold-down spring, cups and pin.

SST 09718-00010

NOTICE: Do not allow oil or grease to get on the rubbing face.

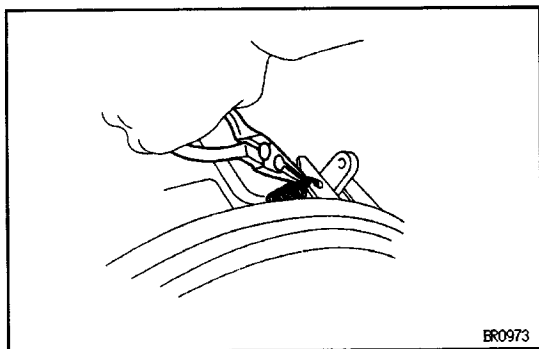


- (d) Using SST, connect the return spring.
- SST 09703-30010

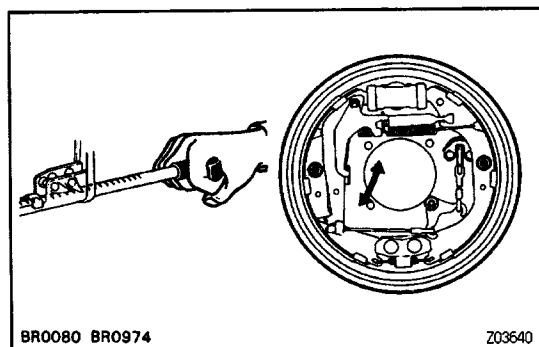


10. ADJUST BELLCRANK

- (a) Lightly pull the bellcrank in direction A until there is no slack at part B.
- (b) In this condition, turn the adjusting bolt so that dimension C will be 0.4-0.8 mm (0.016-0.031 in.).
- (c) Lock the adjusting bolt with the lock nut.

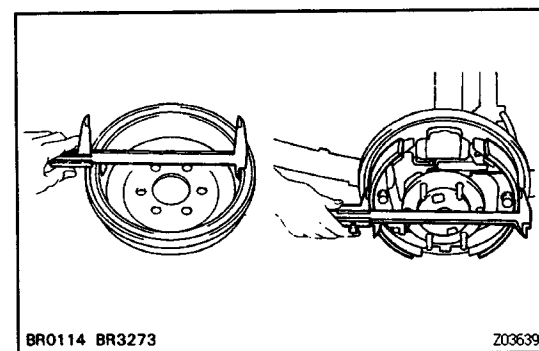
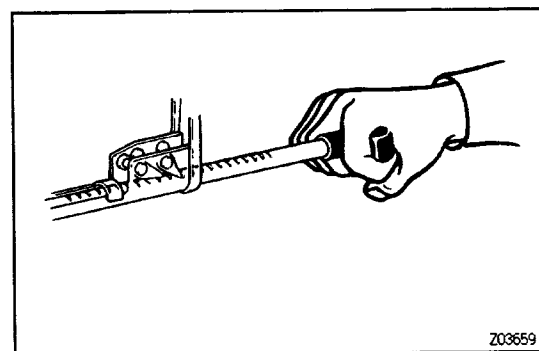


- (d) Connect the parking brake cable to the parking brake bellcrank and install the clip.
- (e) Install the tension spring.



11. CHECK OPERATION OF AUTOMATIC ADJUSTING MECHANISM

- (a) Move the parking brake lever of the front shoe back and forth. Check that the adjuster turns. If the adjuster does not turn, check for incorrect installation of the rear brakes.
- (b) Adjust the adjuster length to the shortest possible amount.
- (c) Install the brake drum.
- (d) Pull the parking brake lever all the way up until a clicking sound can no longer be heard.



12. CHECK CLEARANCE BETWEEN BRAKE SHOE AND DRUM

- (a) Remove the brake drum.
- (b) Measure the brake drum inside diameter and diameter of the brake shoes. Check that the difference between the diameters is the correct shoe clearance.

Shoe clearance:

0.6 mm (0.024 in.)

If incorrect, check the parking brake system.

13. INSTALL BRAKE DRUM

14. INSTALL REAR WHEEL

15. FILL BRAKE RESERVOIR WITH BRAKE FLUID AND BLEED BRAKE SYSTEM

(See BRAKE SYSTEM BLEEDING)

16. CHECK FOR LEAKS