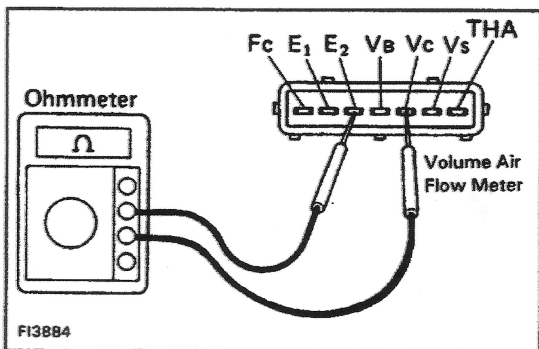
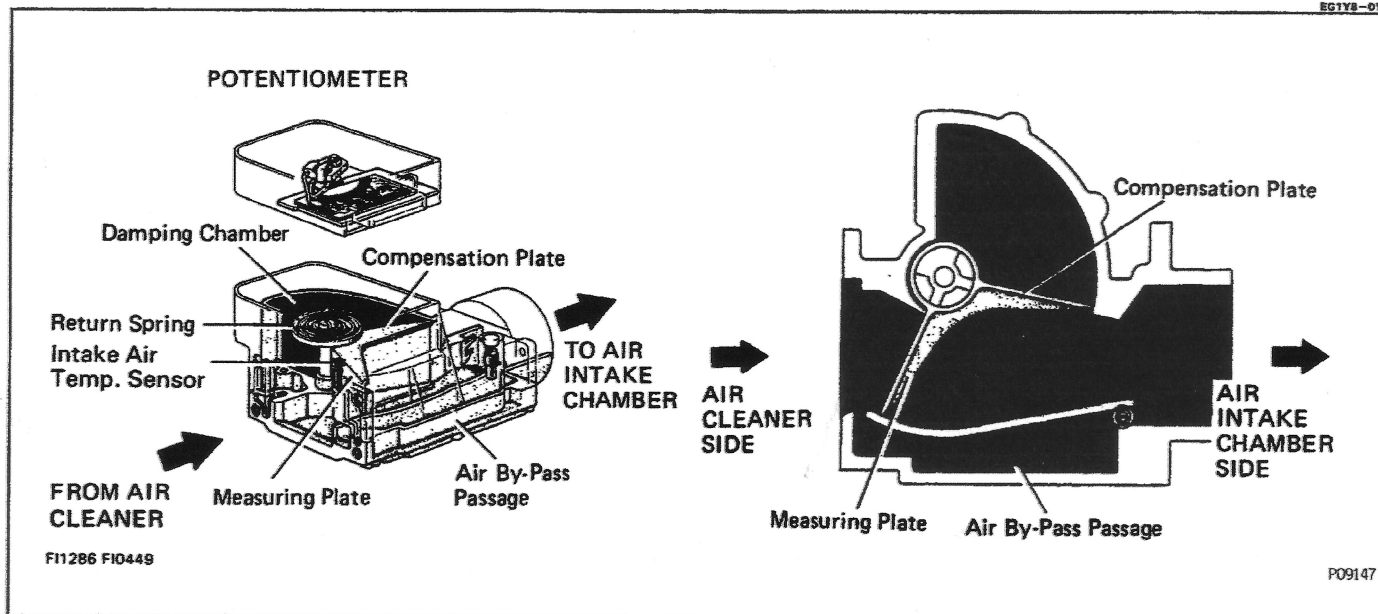


VOLUME AIR FLOW (VAF) METER

EG1Y8-01

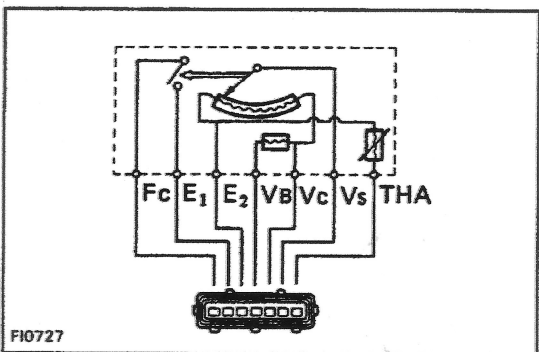


ON-VEHICLE INSPECTION

EG1Y9-01

MEASURE RESISTANCE OF VOLUME AIR FLOW METER

- Disconnect the connector from the volume air flow meter.
- Using an ohmmeter, measure the resistance between each terminal.



Between terminals	Resistance	Temperature
E ₂ - V _S	20 - 400 Ω	-
E ₂ - V _C	100 - 300 Ω	-
E ₂ - V _B	200 - 400 Ω	-
E ₂ - THA	10 - 20 kΩ	-20°C (-4°F)
	4 - 7 kΩ	0°C (32°F)
	2 - 3 kΩ	20°C (68°F)
	0.9 - 1.3 kΩ	40°C (104°F)
	0.4 - 0.7 kΩ	60°C (140°F)
E ₁ - F _C	Infinity	-

V02175

If not within specification, replace the volume air flow meter.