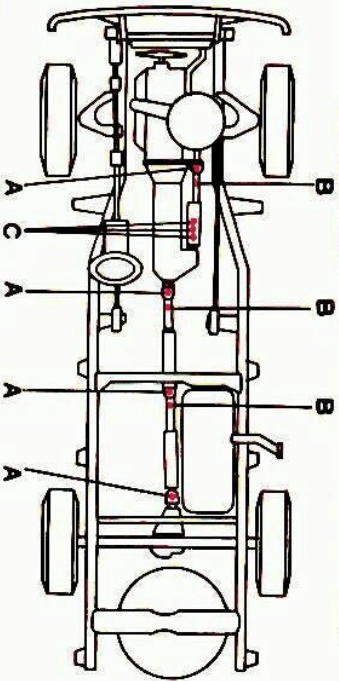


NOTICE

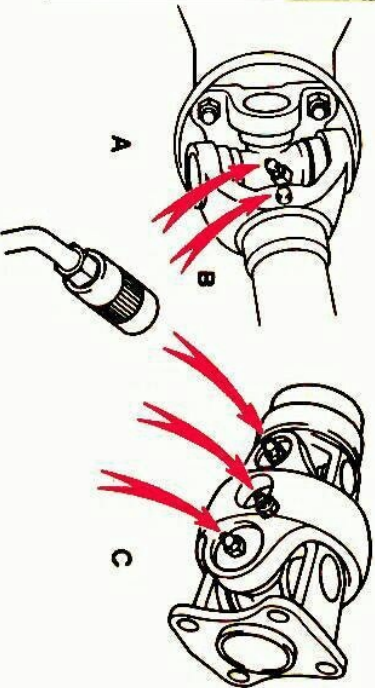
Lubricating Propeller Shafts

Maintenance Interval

Normal Condition	15,000Miles/24,000km/18Months
Severe Condition	7,500Miles/12,000km/9Months
1) Pulling trailer	
2) Driving on rough, muddy or dusty road.	
Flooded Condition	Daily
Driving in flooded area	



Propeller Shaft



Grease gun : Diameter 18 mm or less

- A. Propeller shaft spiders
- B. Propeller shaft sliding yokes
- C. Double cardan joint