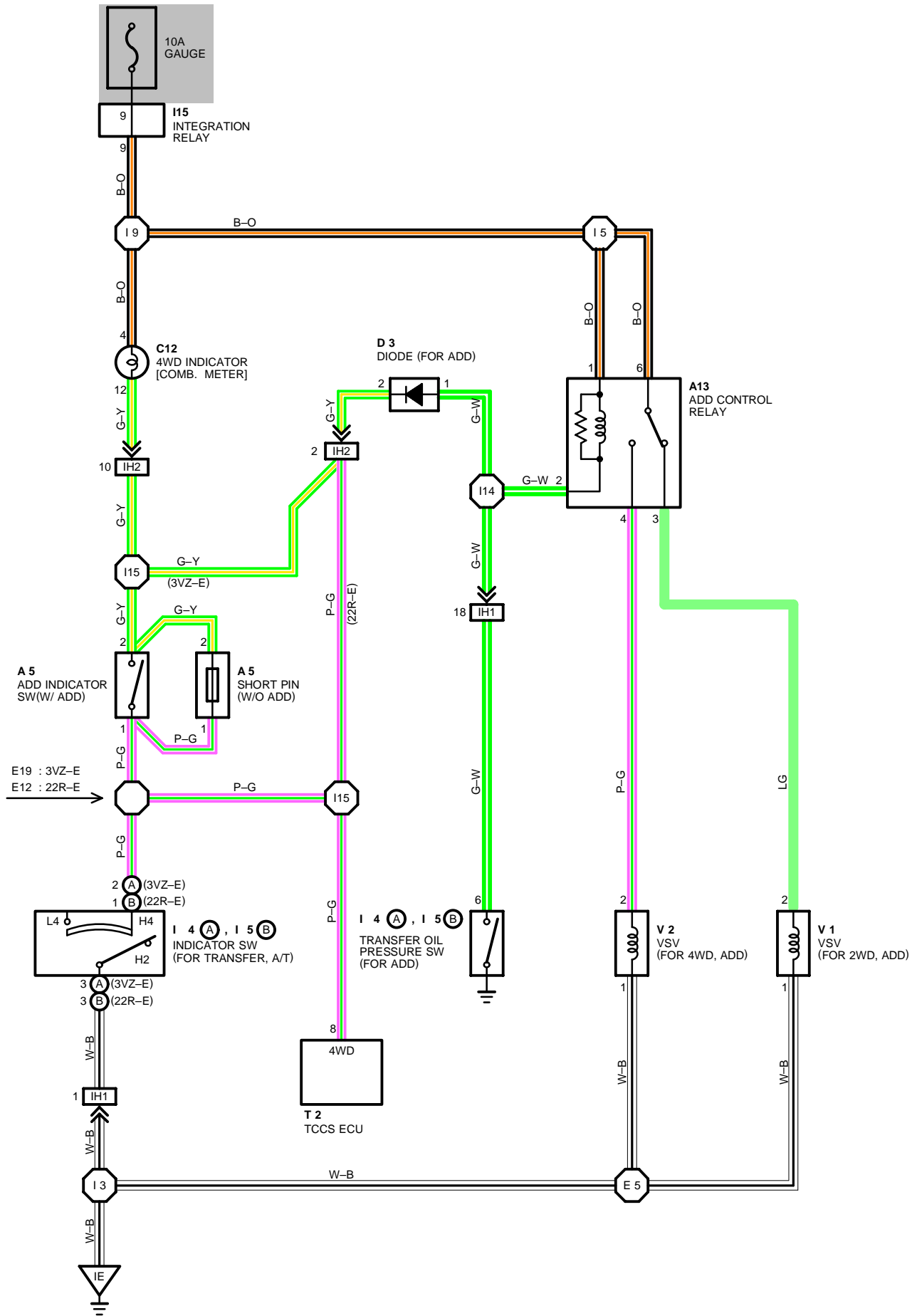


# 4WD (A/T)



## SERVICE HINTS

### A13 ADD CONTROL RELAY

3-6 : CLOSED WITH IGNITION SW AT **OFF** POSITION OR IGNITION SW ON AND INDICATOR SW **H2** POSITION

4-6 : CLOSED WITH IGNITION SW AT **ON** POSITION AND INDICATOR SW **H4**

### ○ : PARTS LOCATION

CODE	SEE PAGE	CODE	SEE PAGE	CODE	SEE PAGE
A 5	22 (3VZ-E), 23 (22R-E)	I 4	A 22	V 1	22 (3VZ-E), 23 (22R-E)
A13	24	I 5	B 23	V 2	22 (3VZ-E), 23 (22R-E)
C12	24	I15	24		
D 3	24	T 2	24		

### □ : CONNECTOR JOINING WIRE HARNESS AND WIRE HARNESS

CODE	SEE PAGE	JOINING WIRE HARNESS AND WIRE HARNESS (CONNECTOR LOCATION)
IH1	30	ENGINE WIRE AND COWL WIRE (RIGHT KICK PANEL)
IH2		

### ▽ : GROUND POINTS

CODE	SEE PAGE	GROUND POINTS LOCATION
IE	30	LEFT KICK PANEL

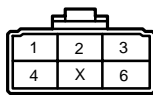
### ○ : SPLICE POINTS

CODE	SEE PAGE	WIRE HARNESS WITH SPLICE POINTS	CODE	SEE PAGE	WIRE HARNESS WITH SPLICE POINTS
E 5	26 (3VZ-E)	COWL WIRE	I 5	30	COWL WIRE
	28 (22R-E)		I 9		
E12	28 (22R-E)	ENGINE WIRE	I14		
E19	26 (3VZ-E)	ENGINE WIRE	I15		
I 3	30	COWL WIRE			

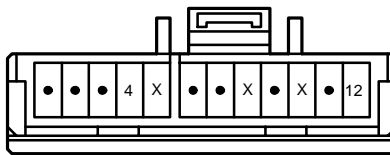
A 5 DARK GRAY



A13



C12 BLUE



D 3 BLACK



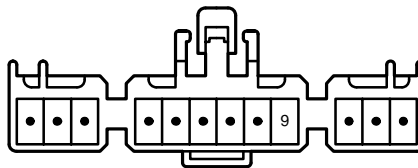
I 4 (A) BLUE



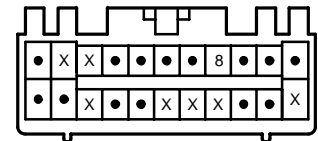
I 5 (B)



I15



T 2 DARK GRAY



V 1 BROWN



V 2 BLUE

