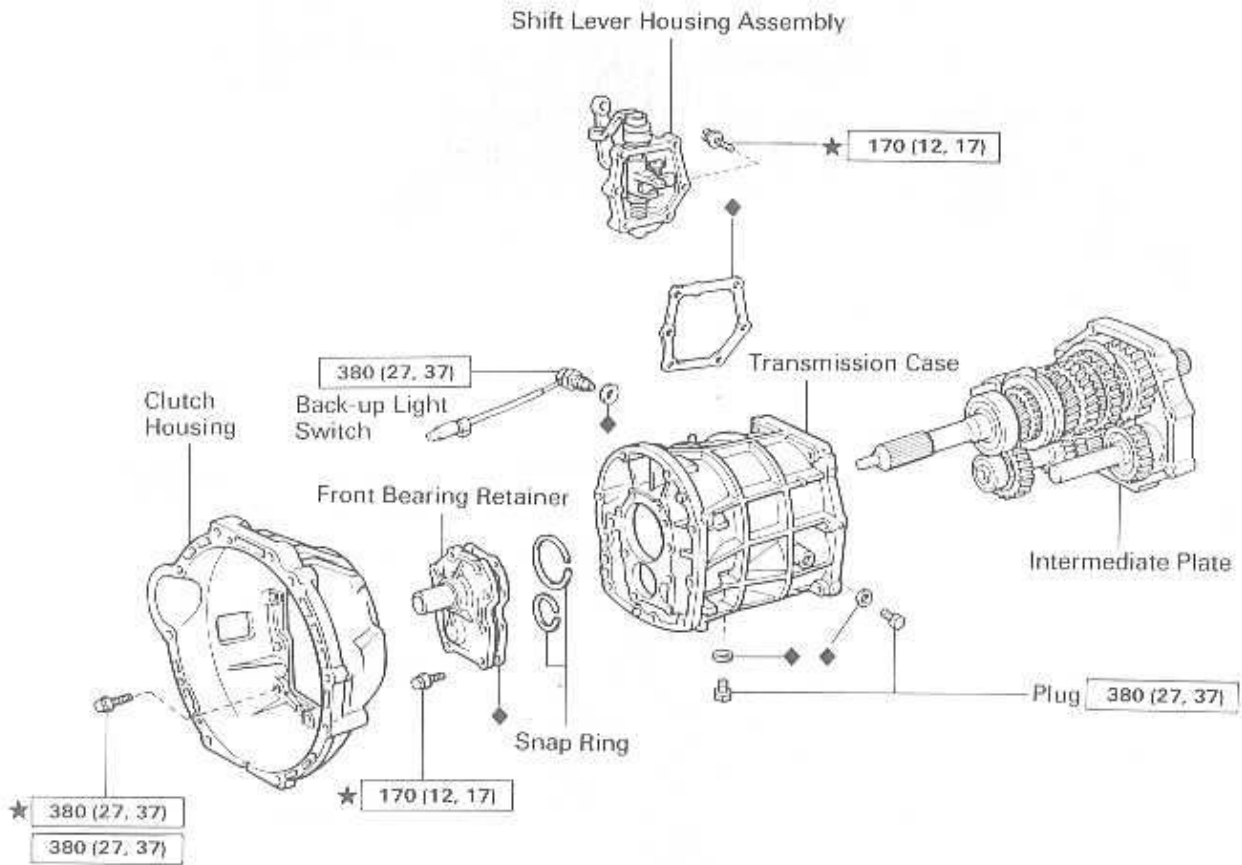


G40, G45, G50, G52, G53, G54, G55, G56, G57 AND G58 TRANSMISSIONS

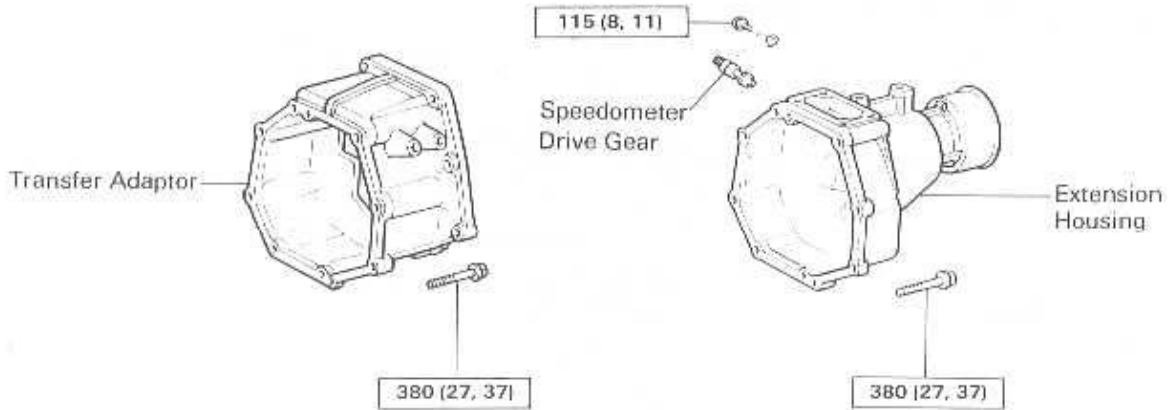
COMPONENTS

[REMOTE CONTROL SHIFT TYPE]



4WD

2WD



kg-cm (ft-lb, N-m)

- ◆ Non-reusable part
- ★ Precoated part