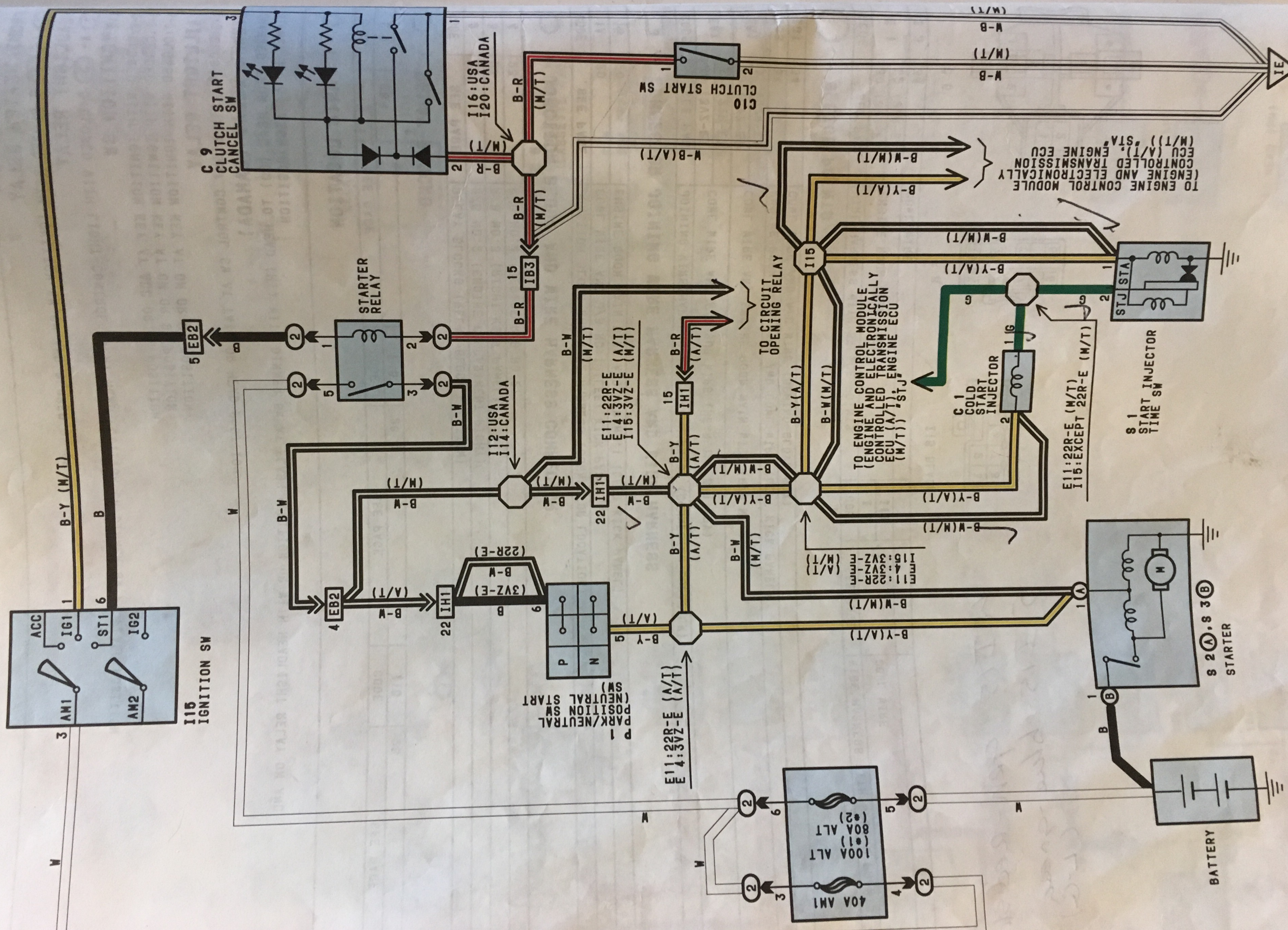


STARTING

#2 13VZ-E, 22R-E M/T



8 2 (A)
POINT
POINT
C 1
2-1:
C 9
1-2:
C10
1-2:
I15.
3-1:
3-6:
P 1
6-5:
STAR
(2) 5
(2) 5

CODE
C 1
C 9
C10
I16

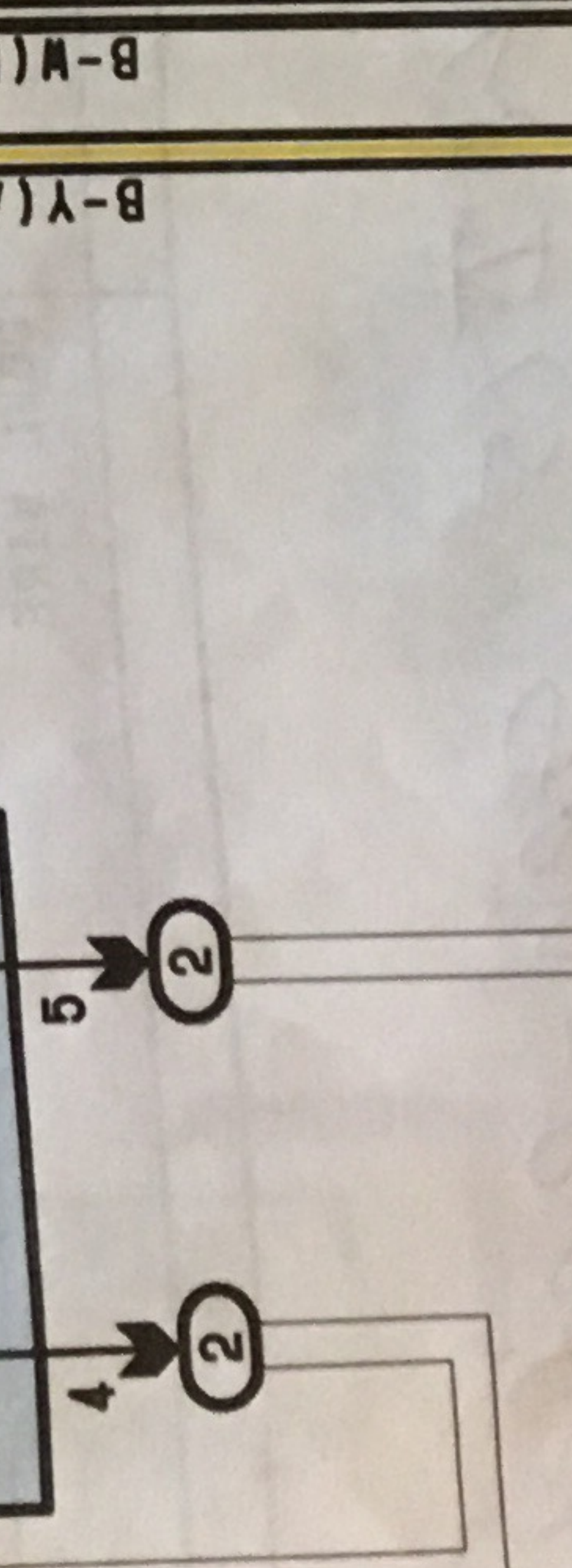
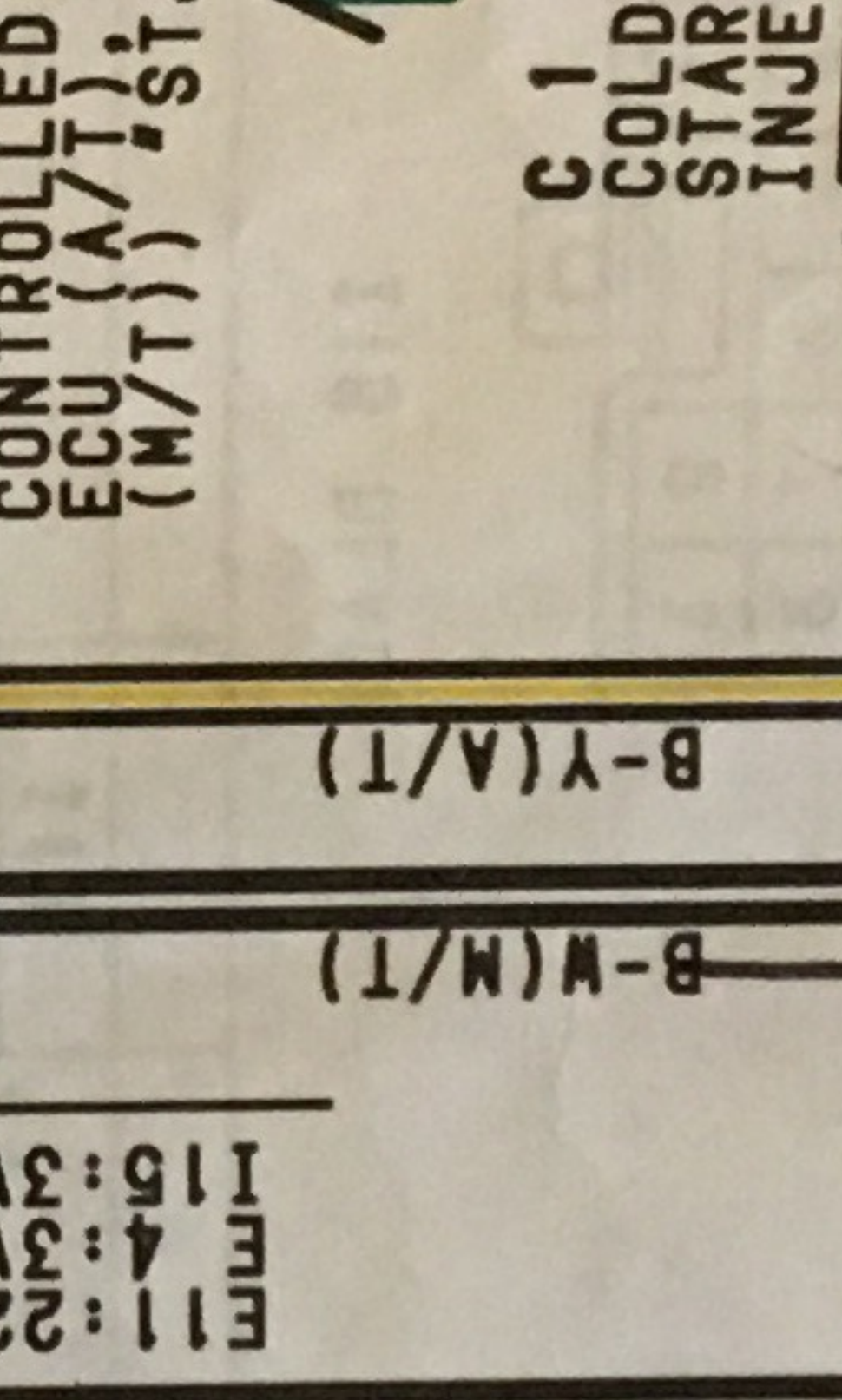
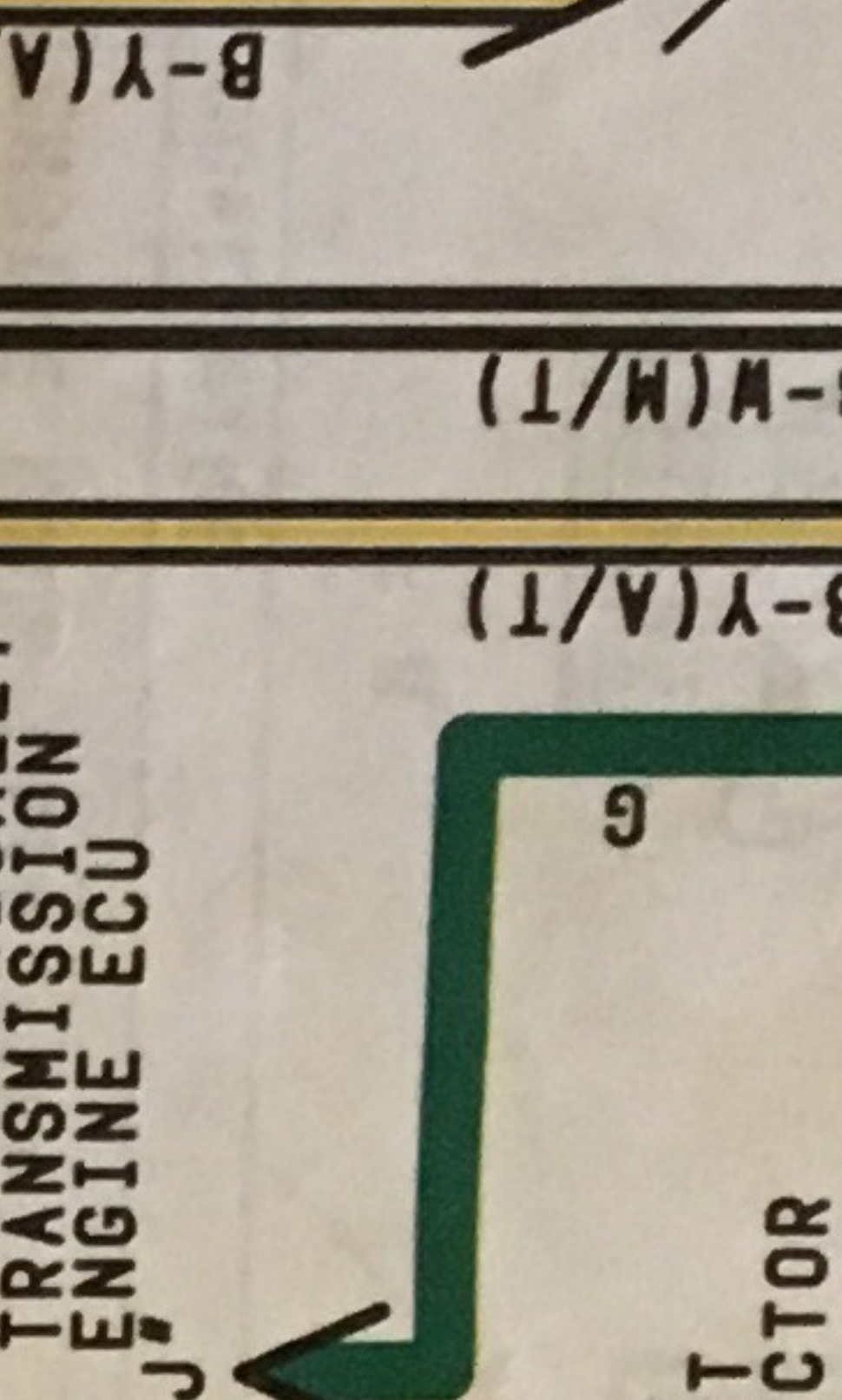
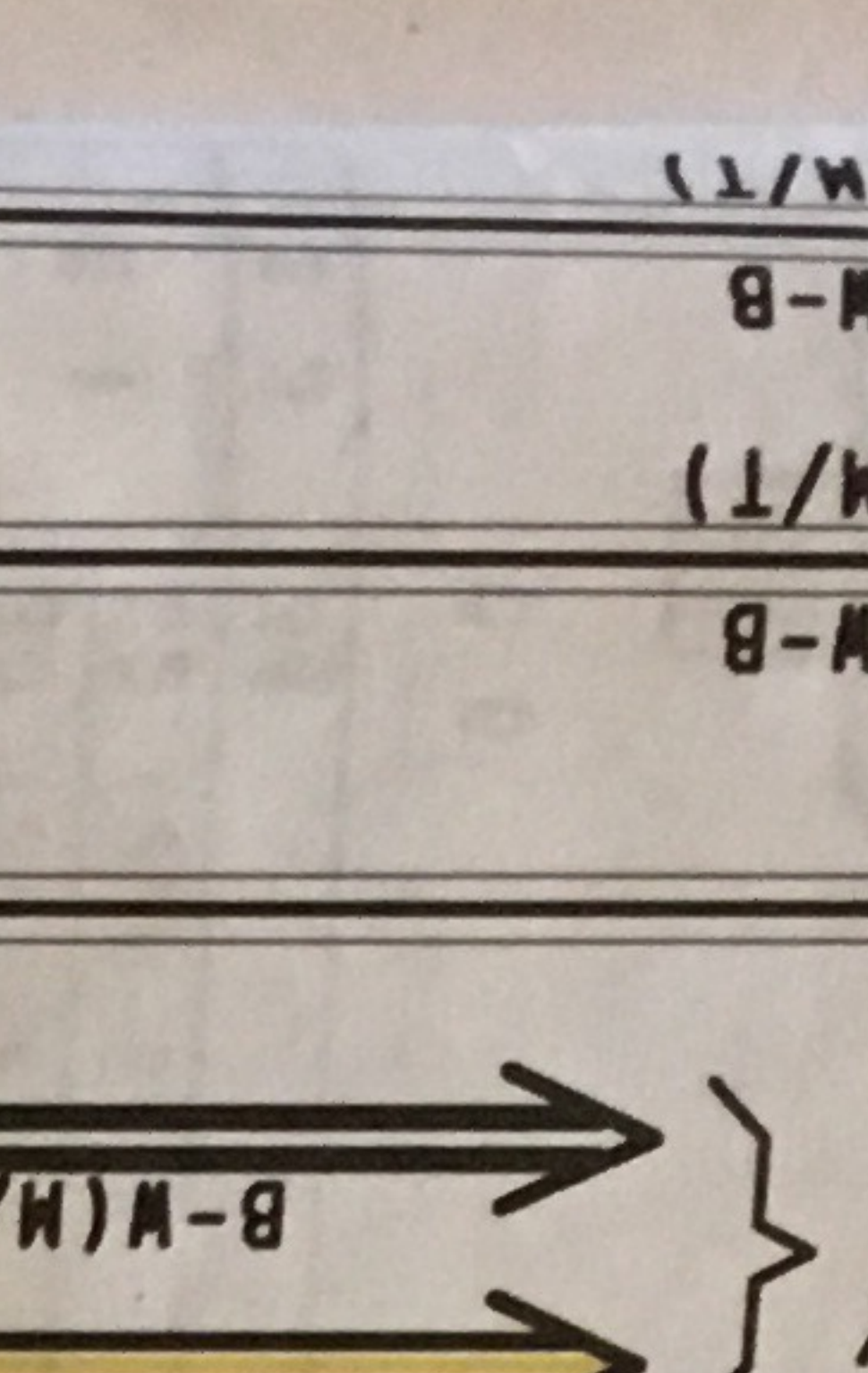
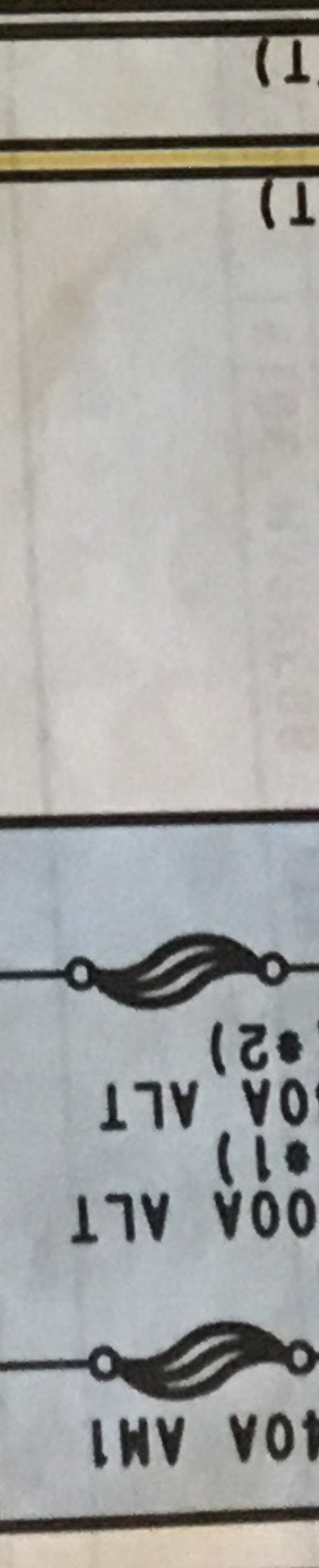
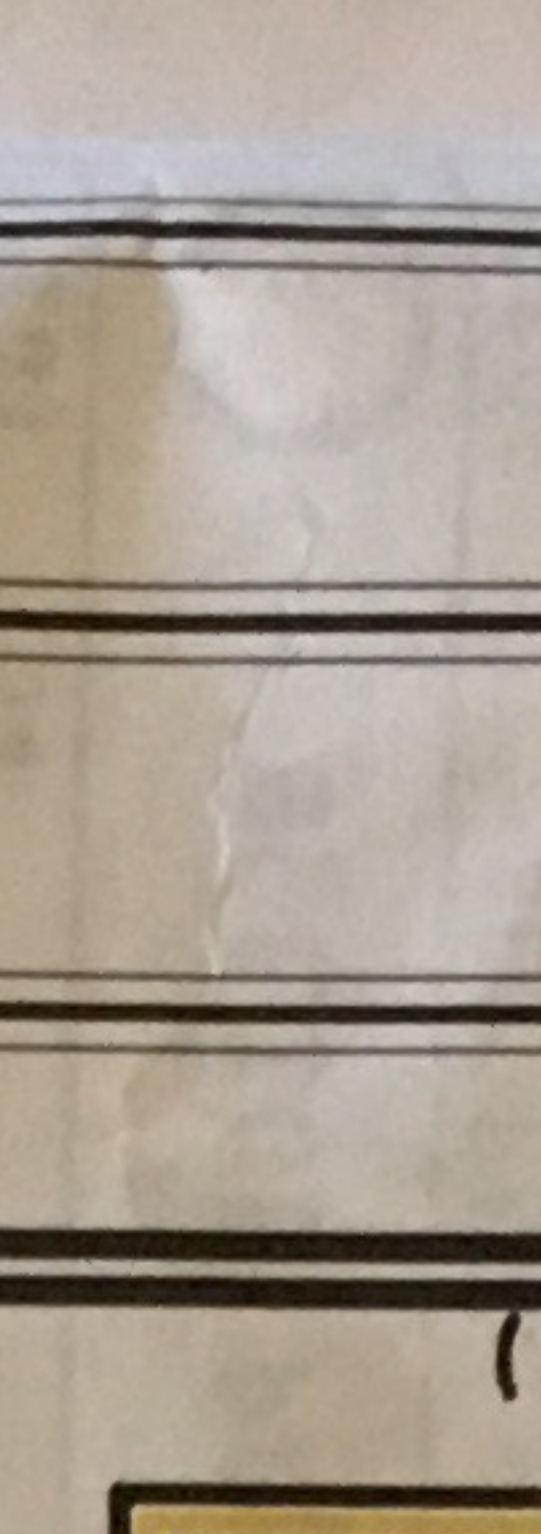
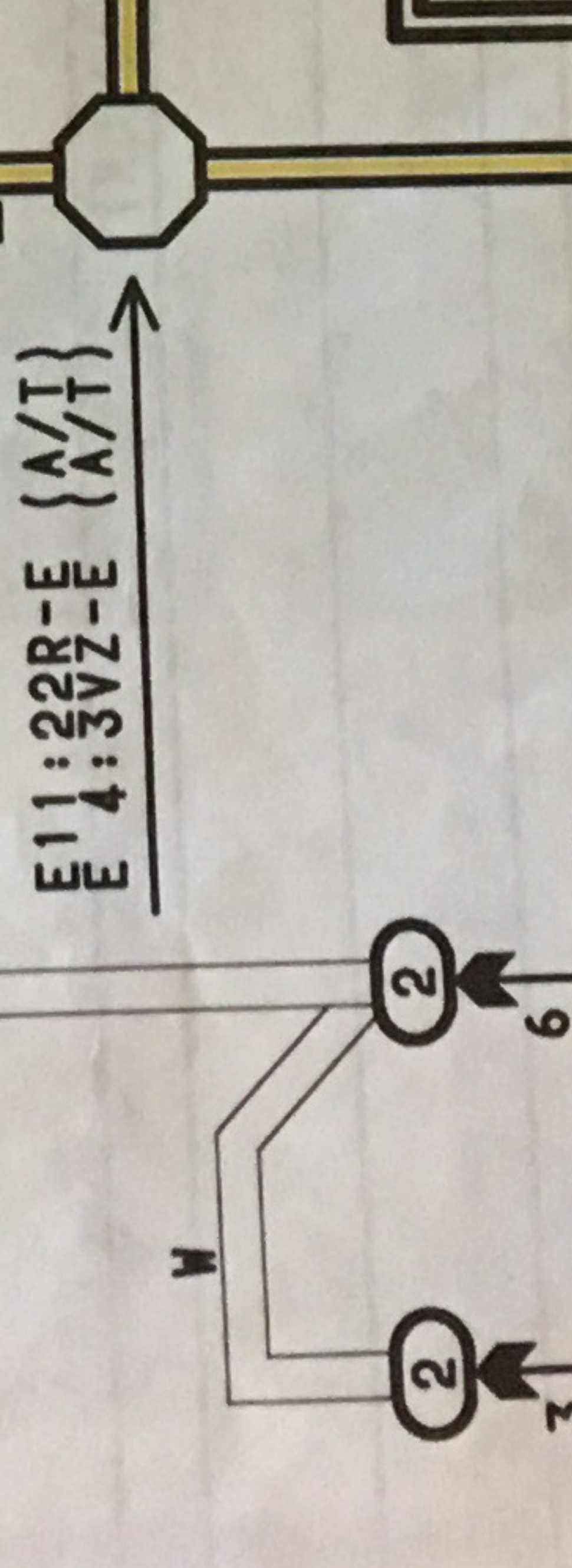
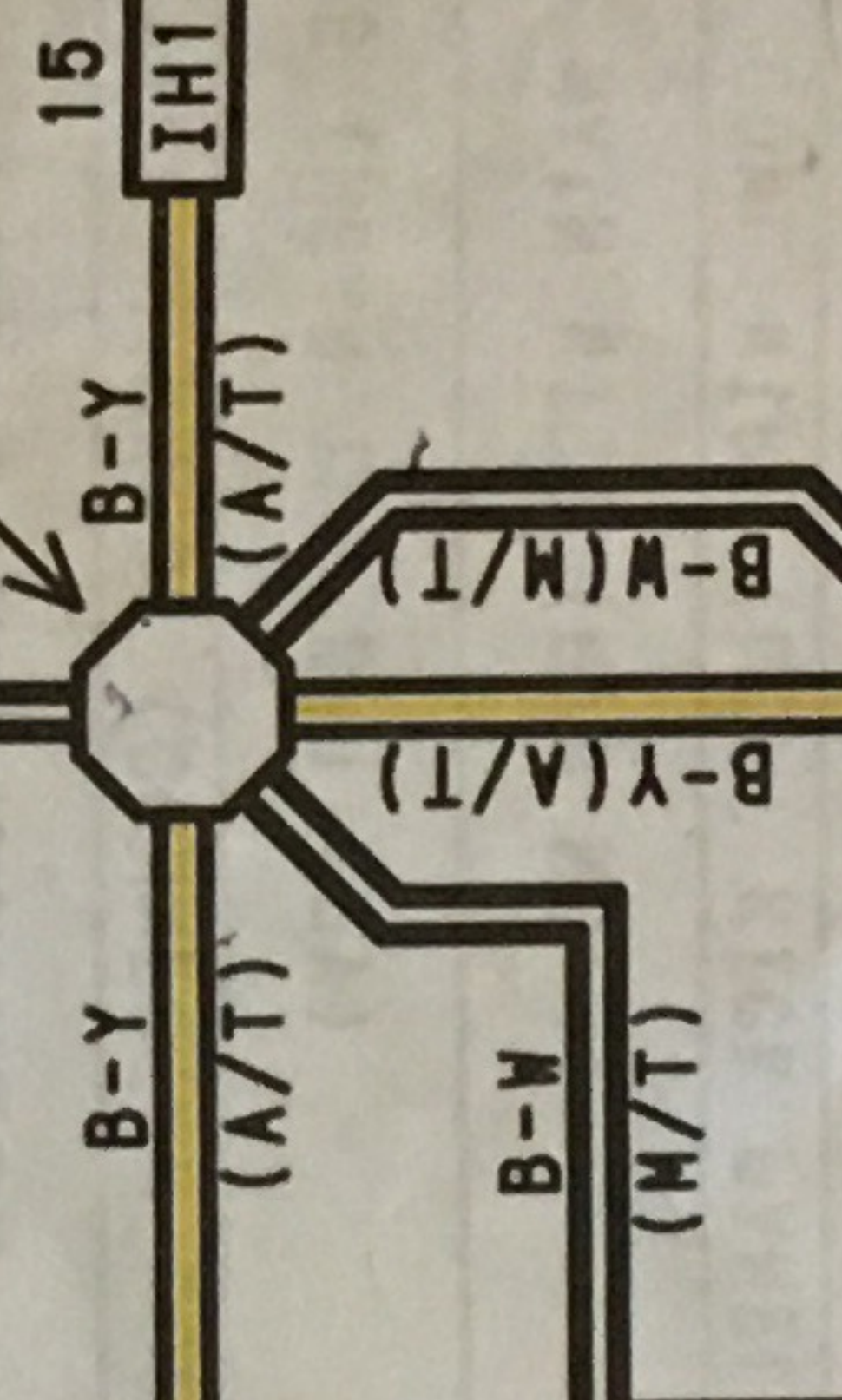
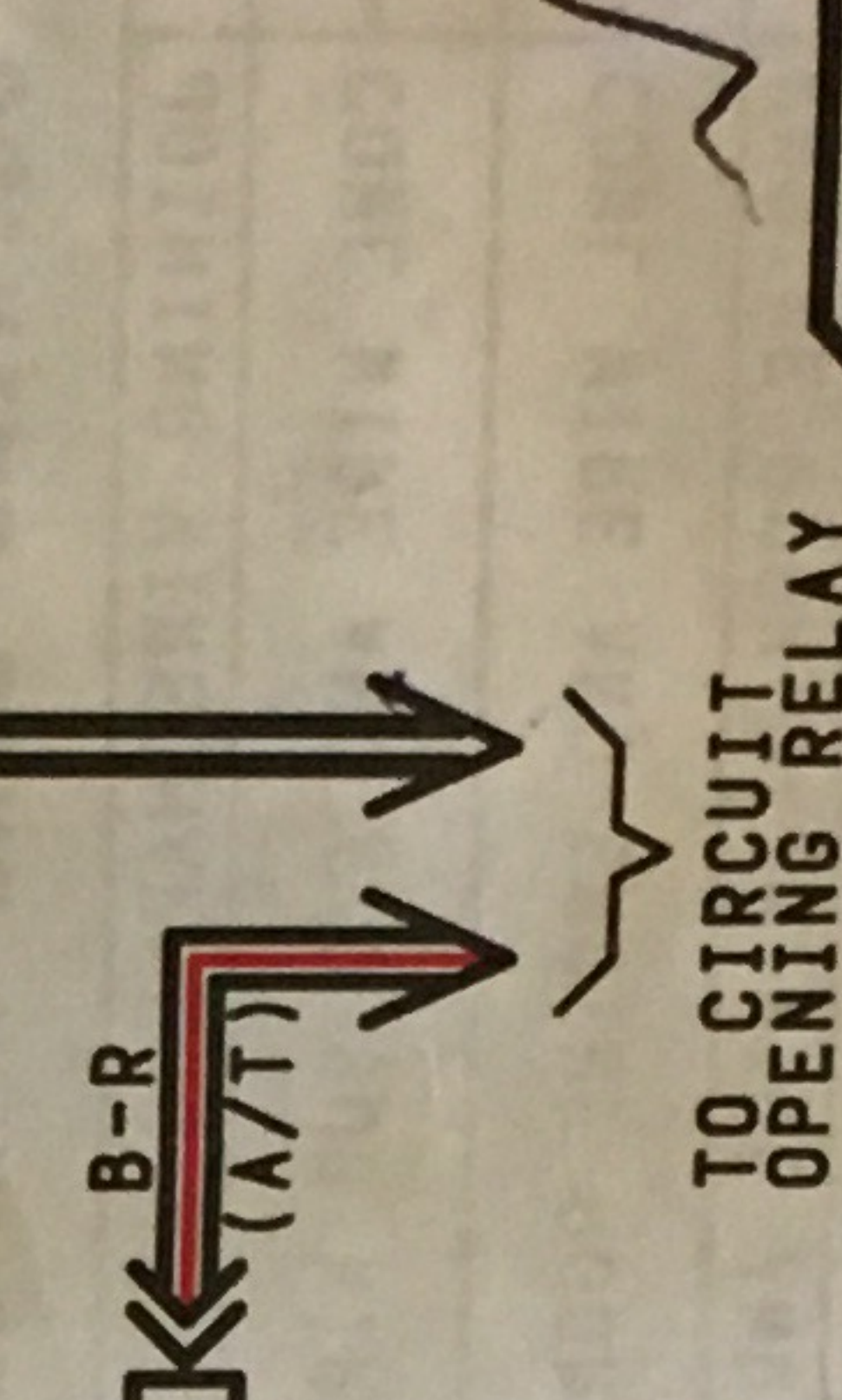
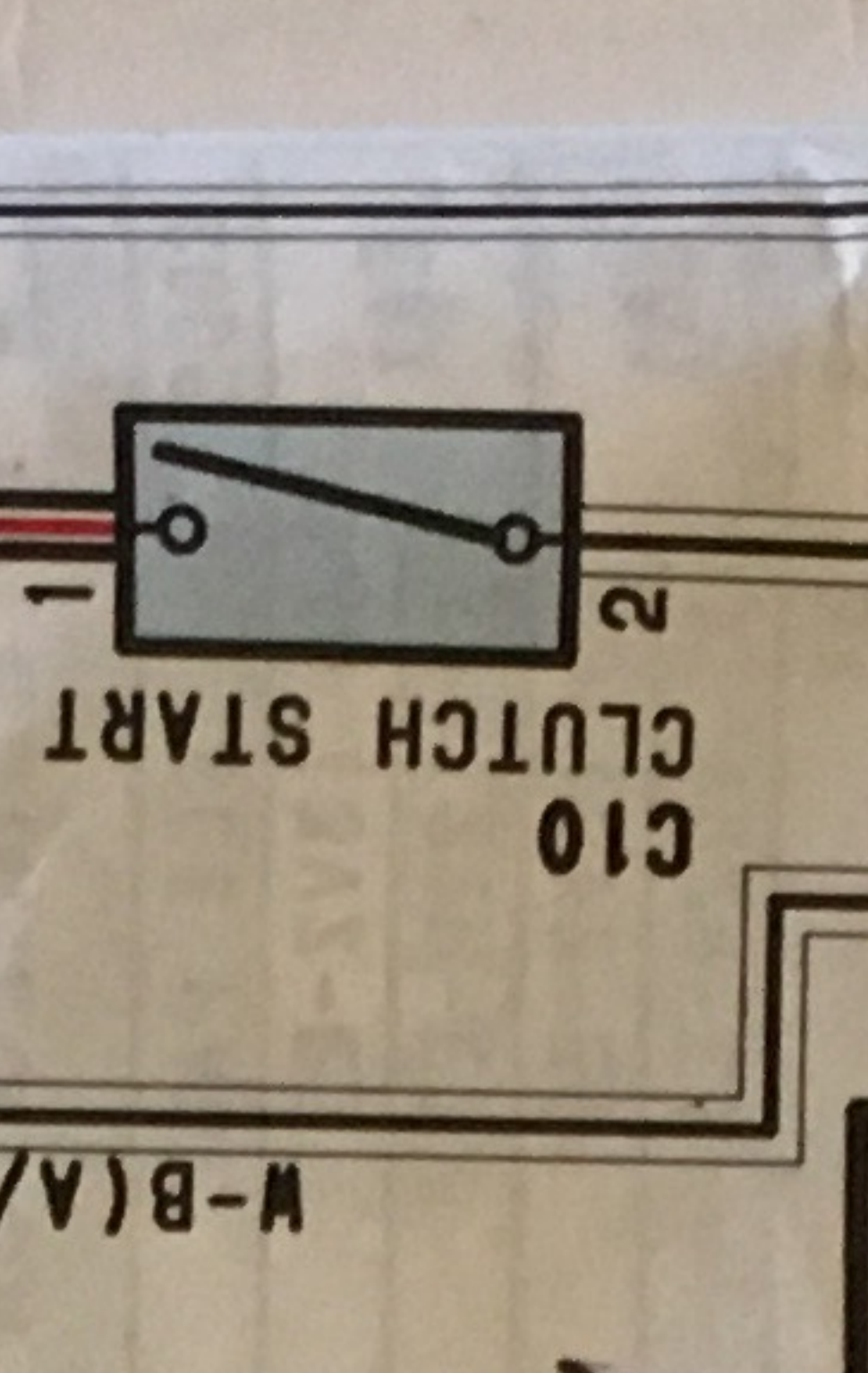
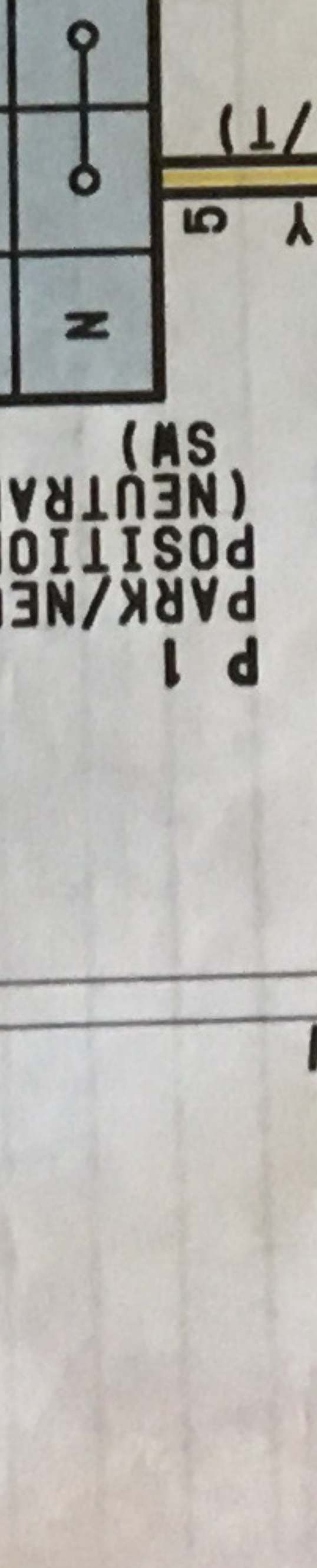
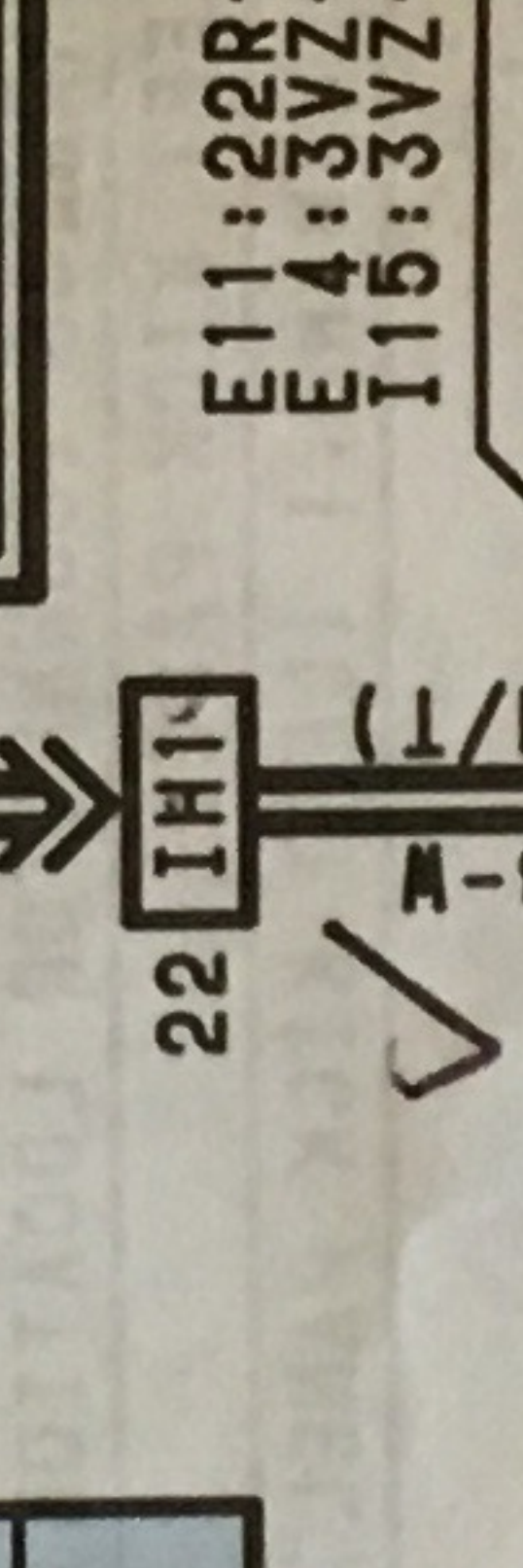
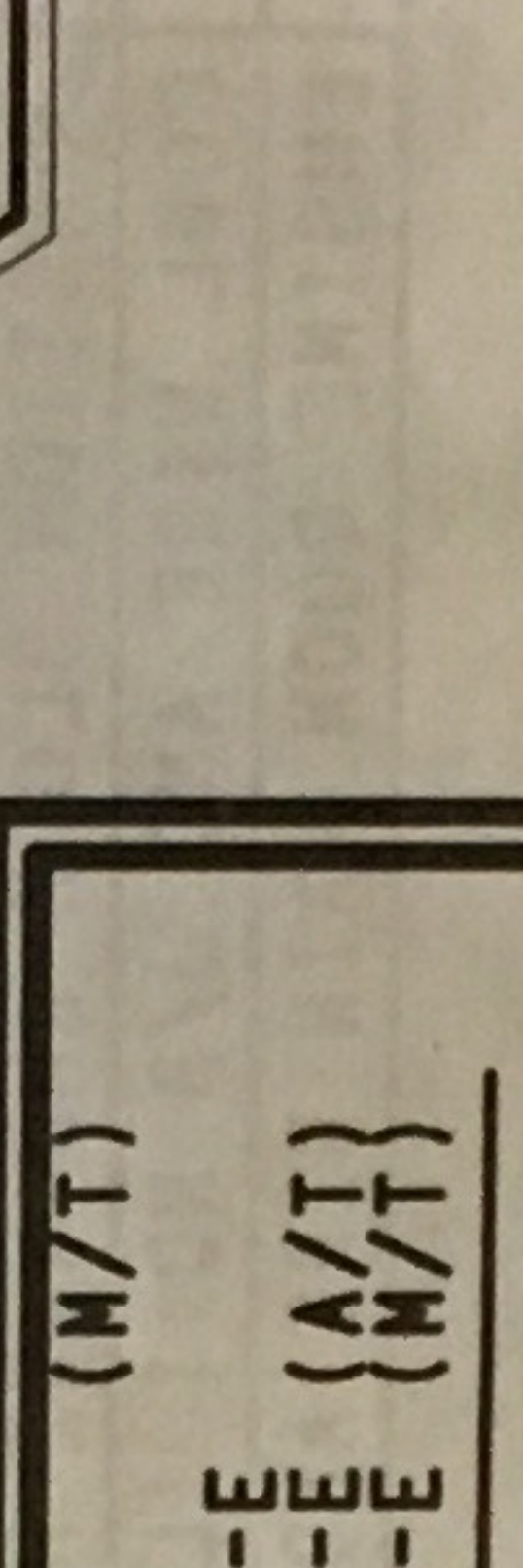
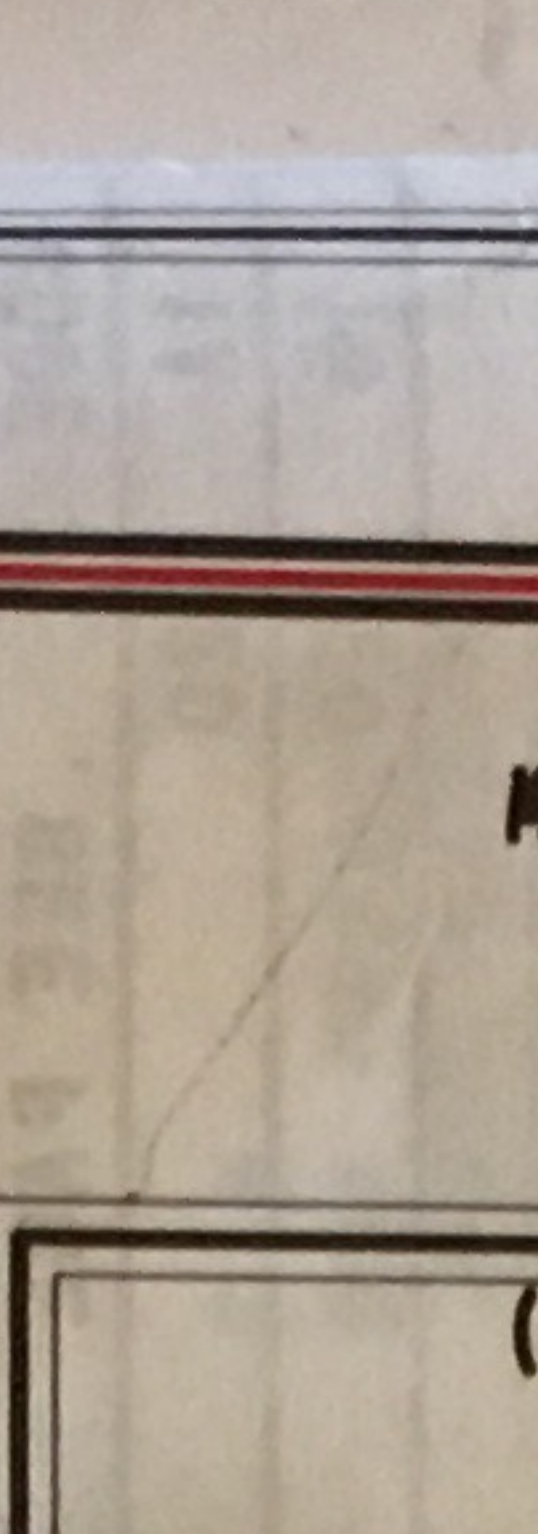
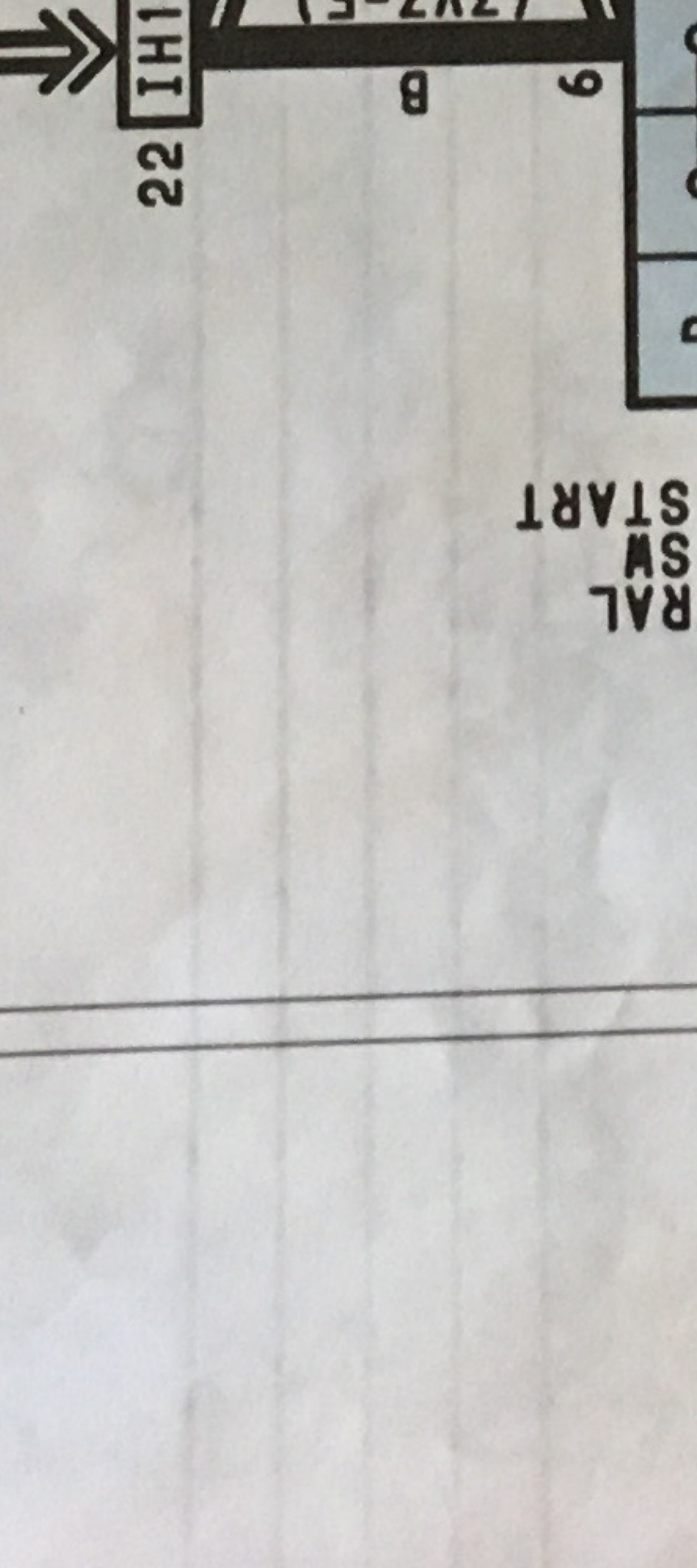
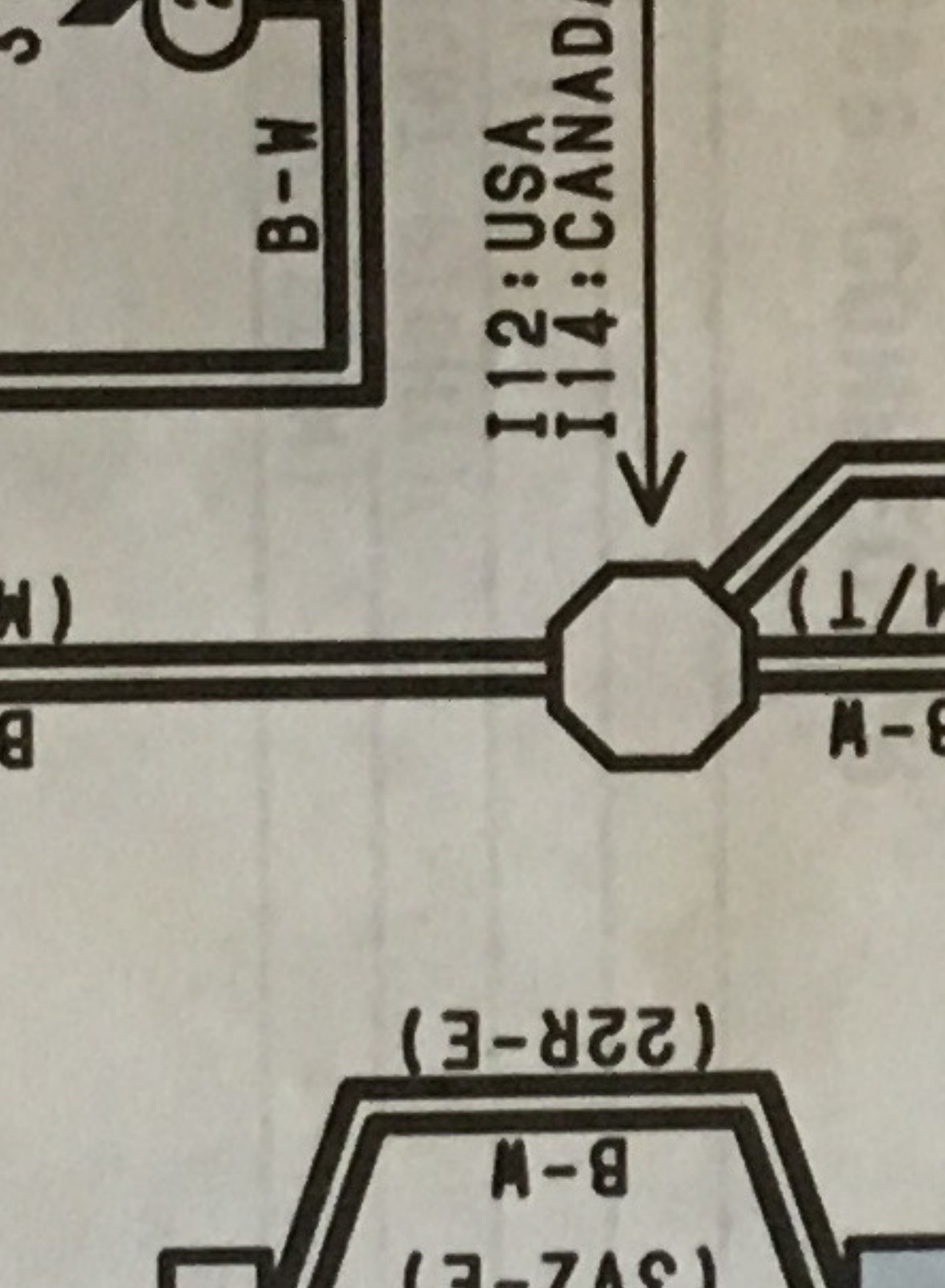
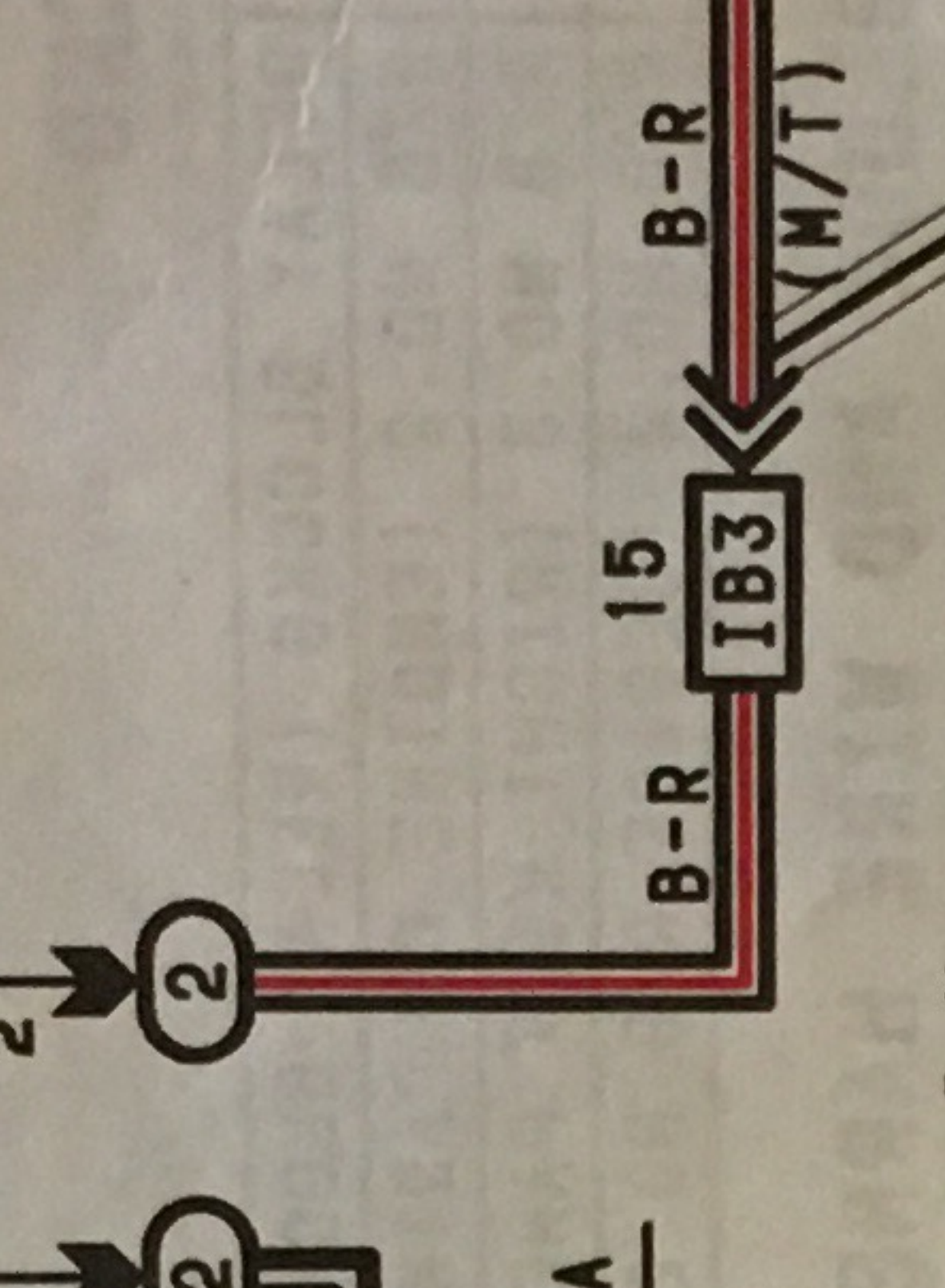
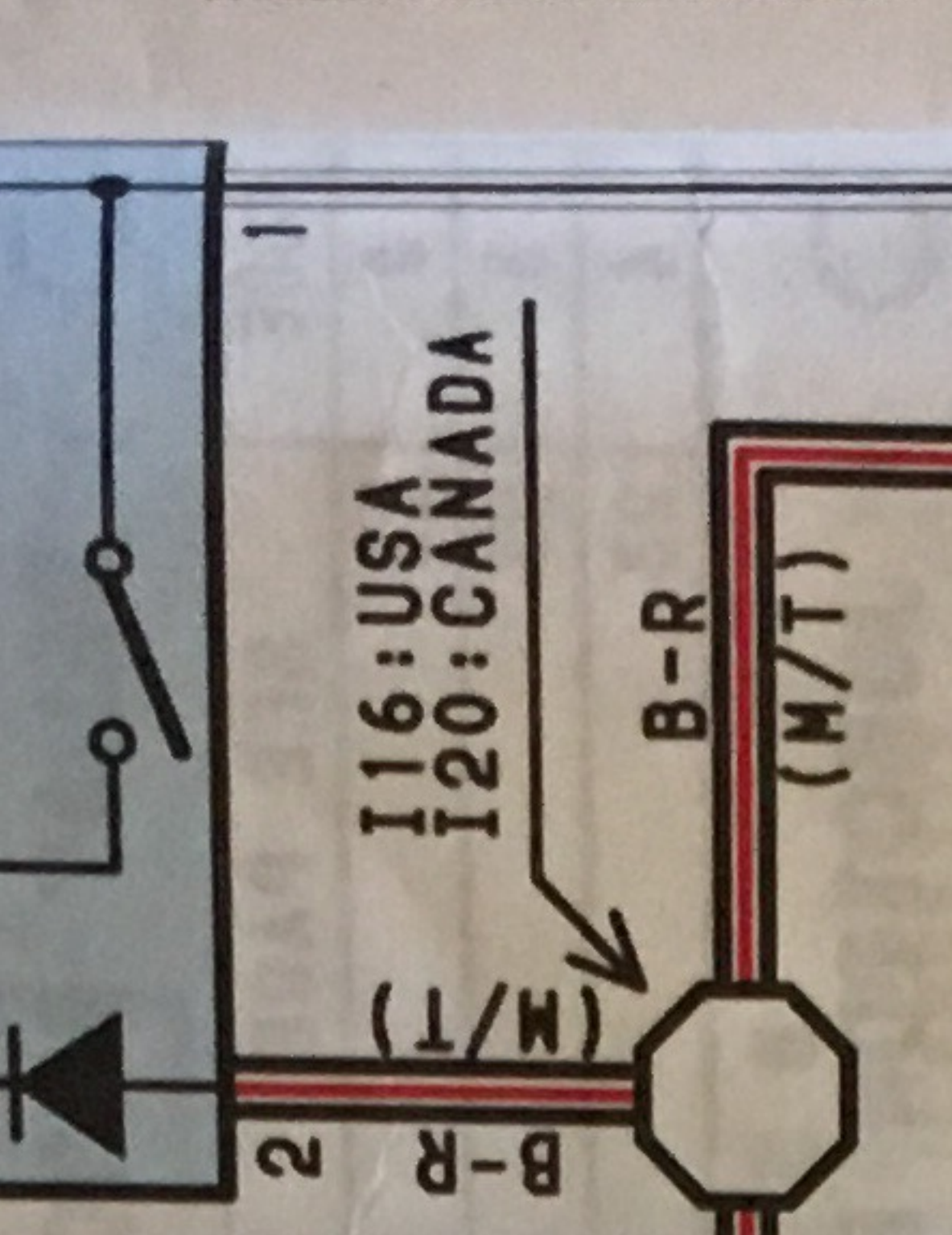
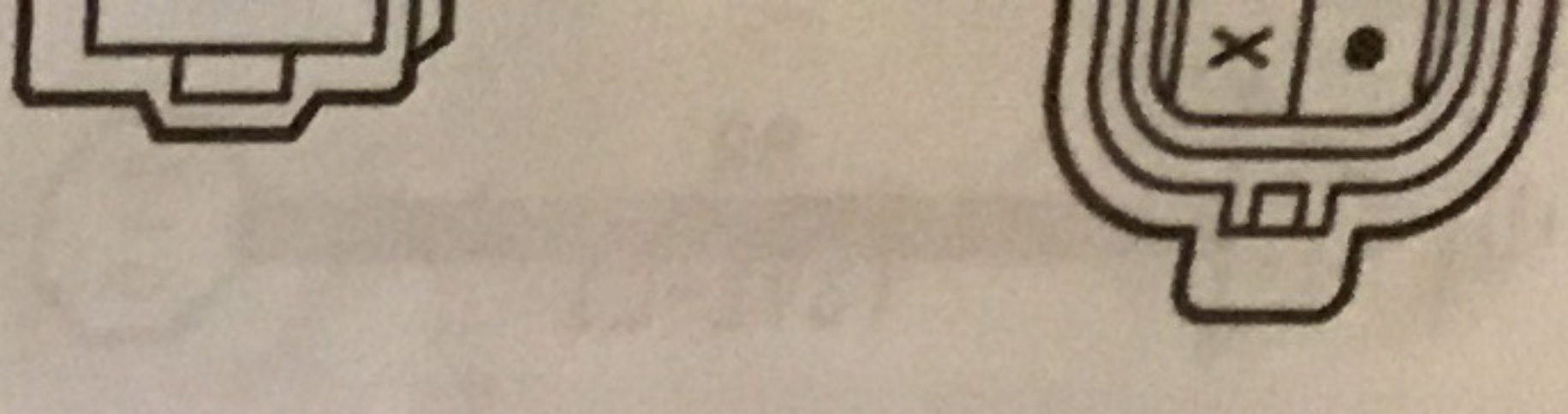
CODE
2

CODE
EB2
IB3
IH1

CODE
IE

CODE
E 4
E11
I12
I14

(3VZ-E)



(3VZ-E)

